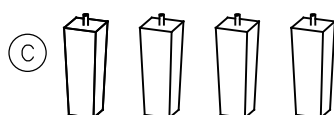
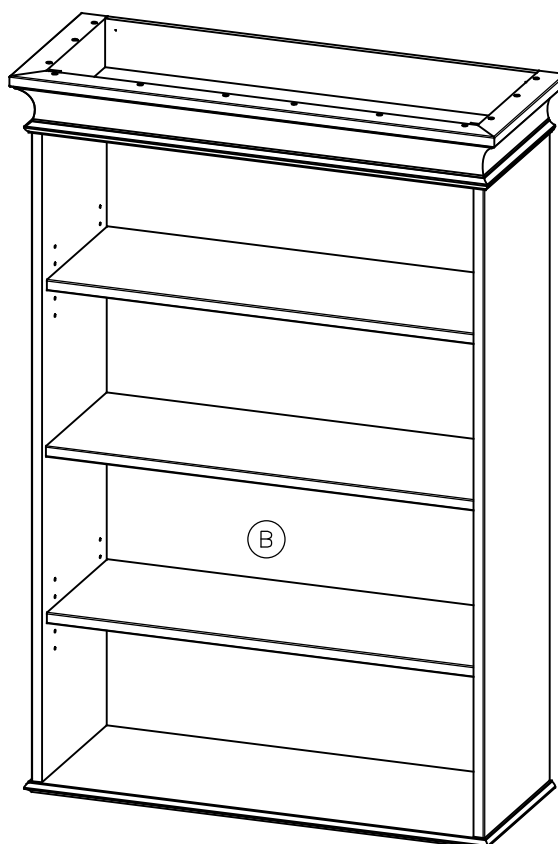
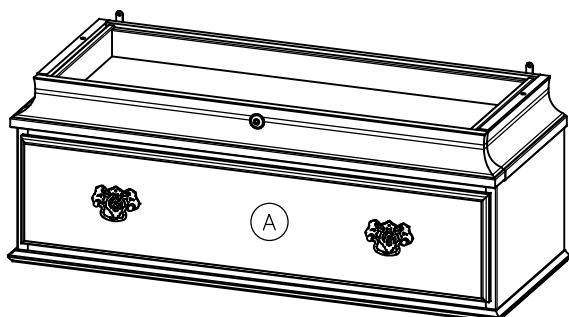
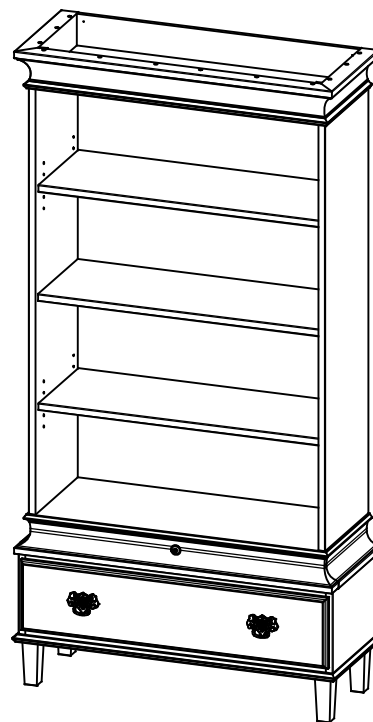
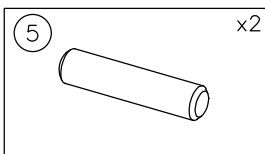
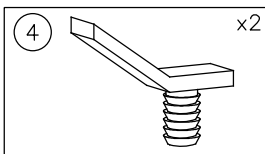
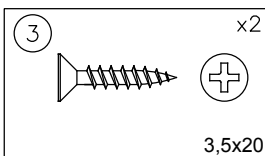
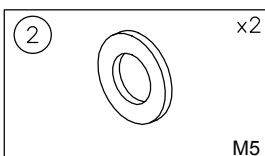
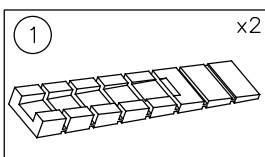
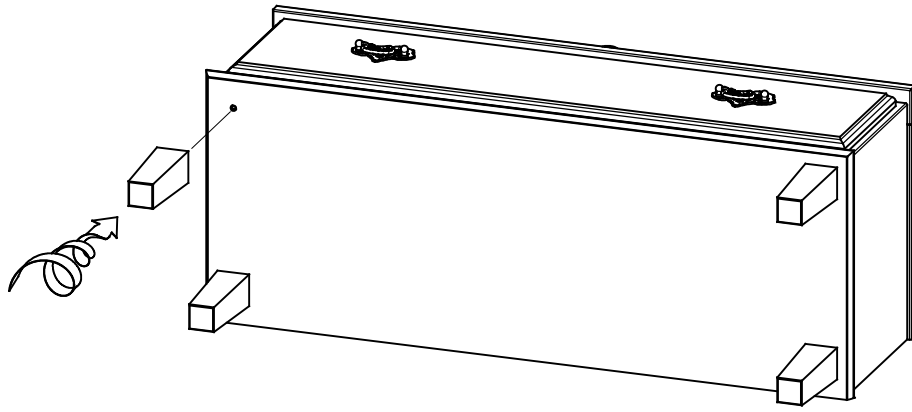


ASSEMBLY INSTRUCTION

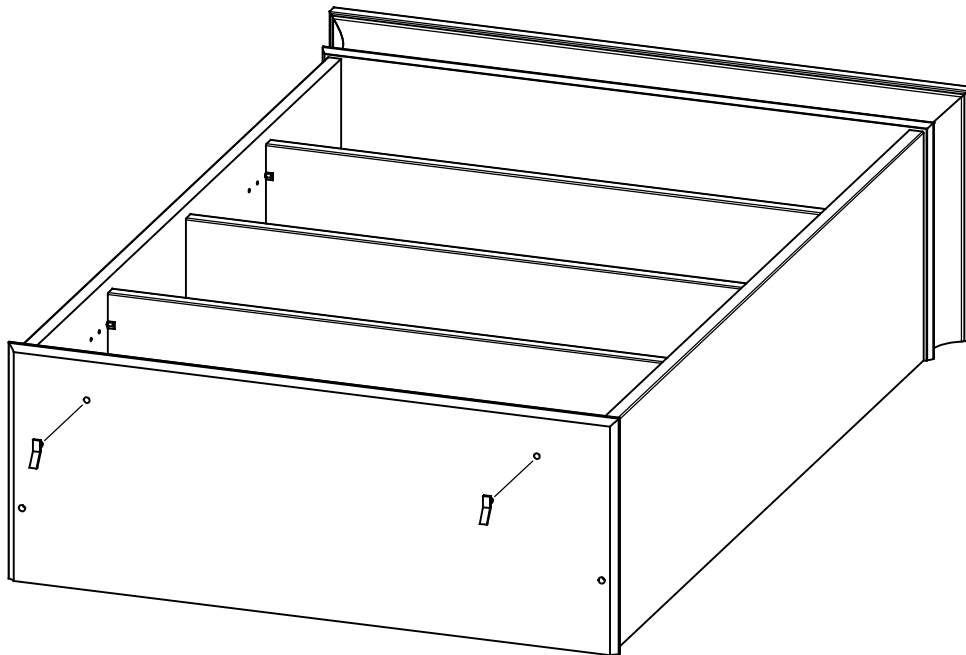
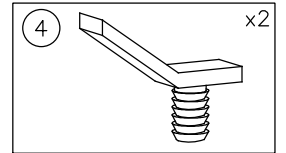
WINSFORD BOOKCASE WID0900



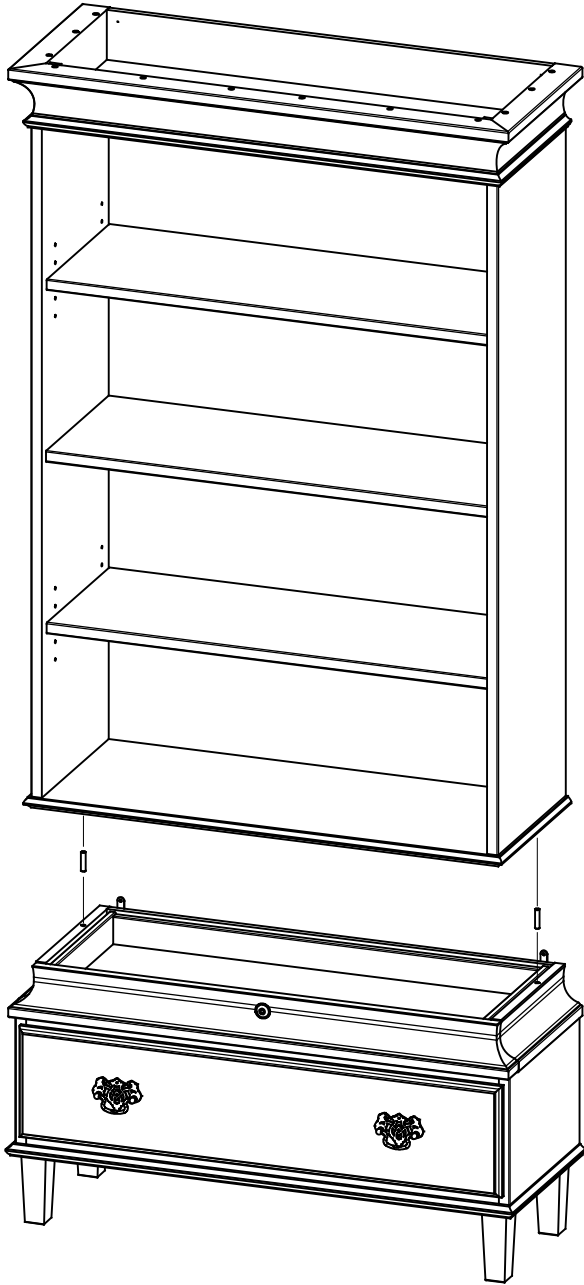
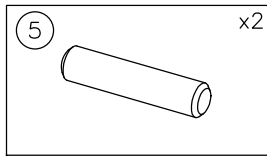
1



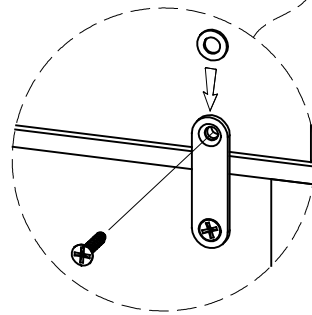
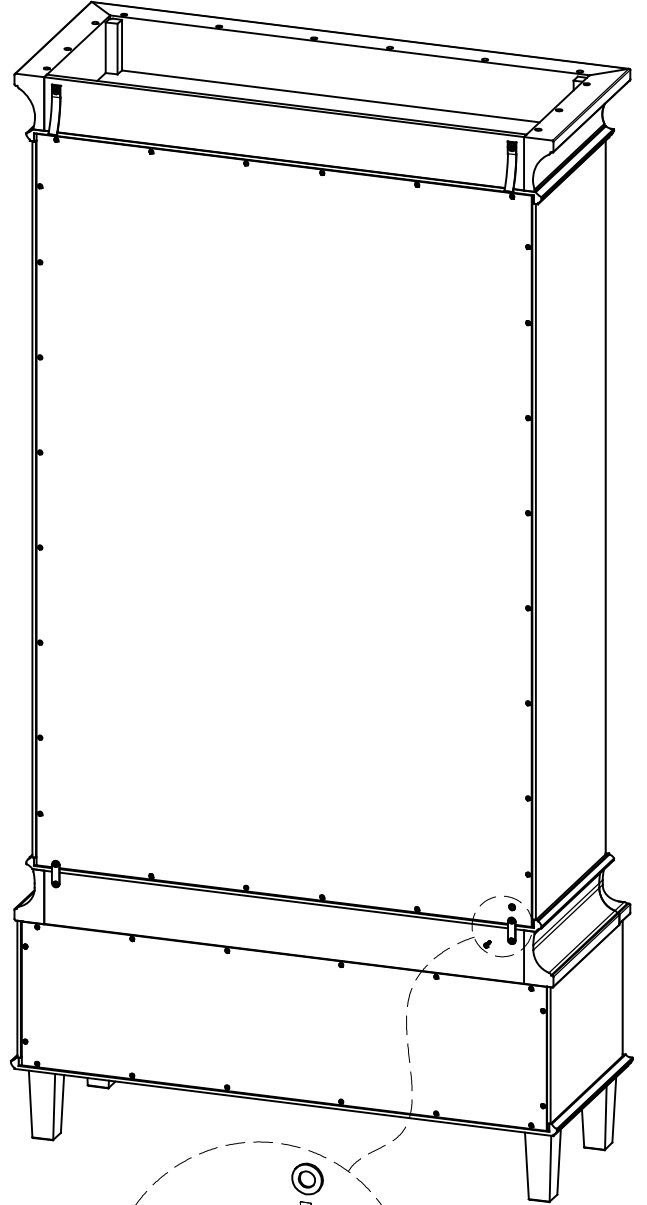
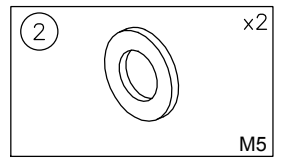
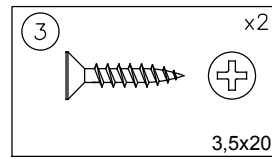
2



3

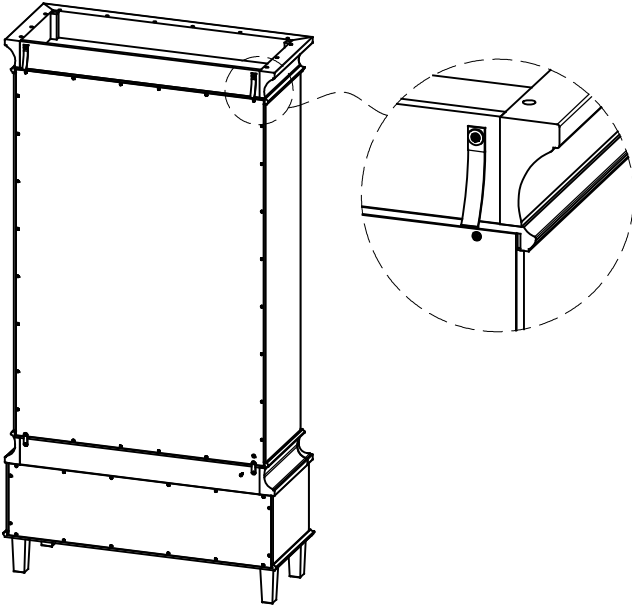
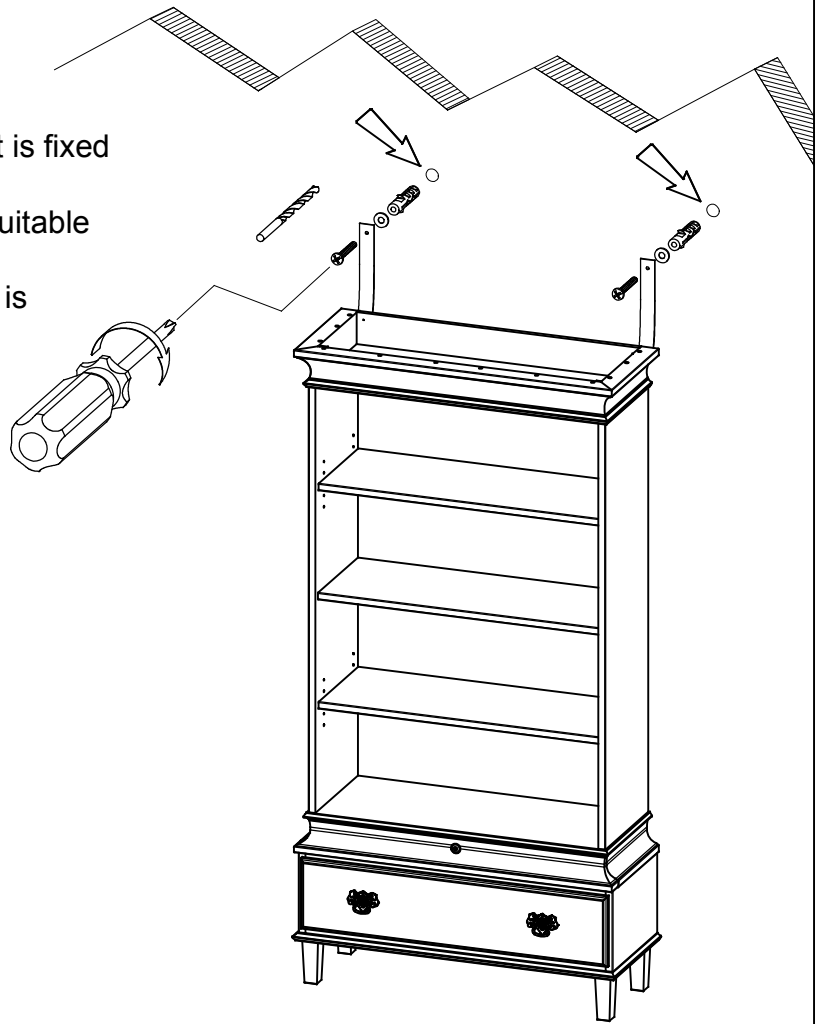


4



5

Important note: It is essential that this product is fixed to a wall using the strap supplied.
Wall fixing is not supplied, please purchase suitable fixing for the wall.
Always ensure that the wall attachment strap is correctly fitted.



6

