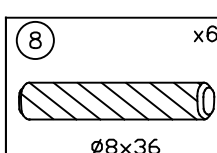
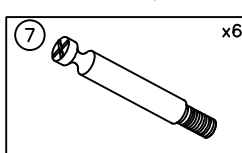
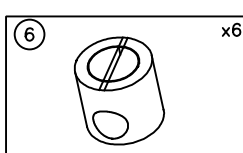
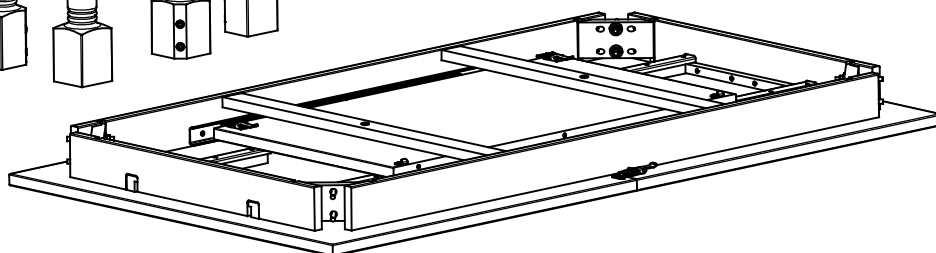
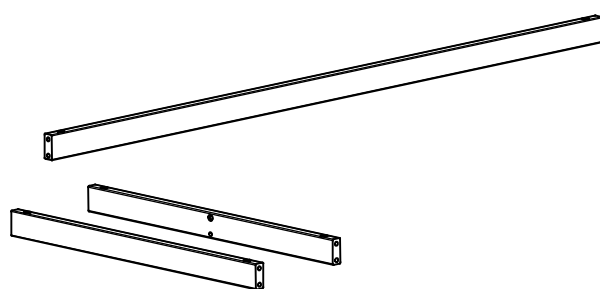
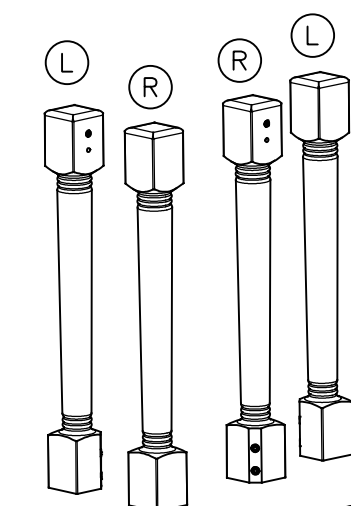
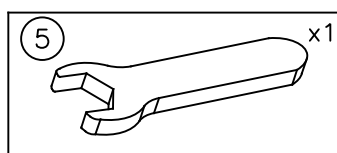
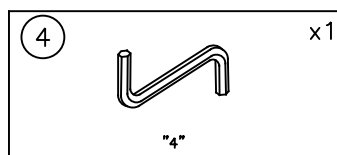
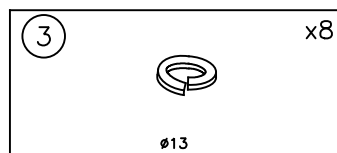
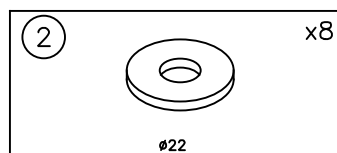
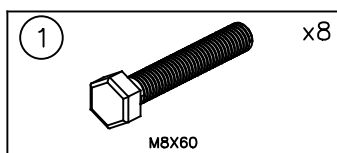
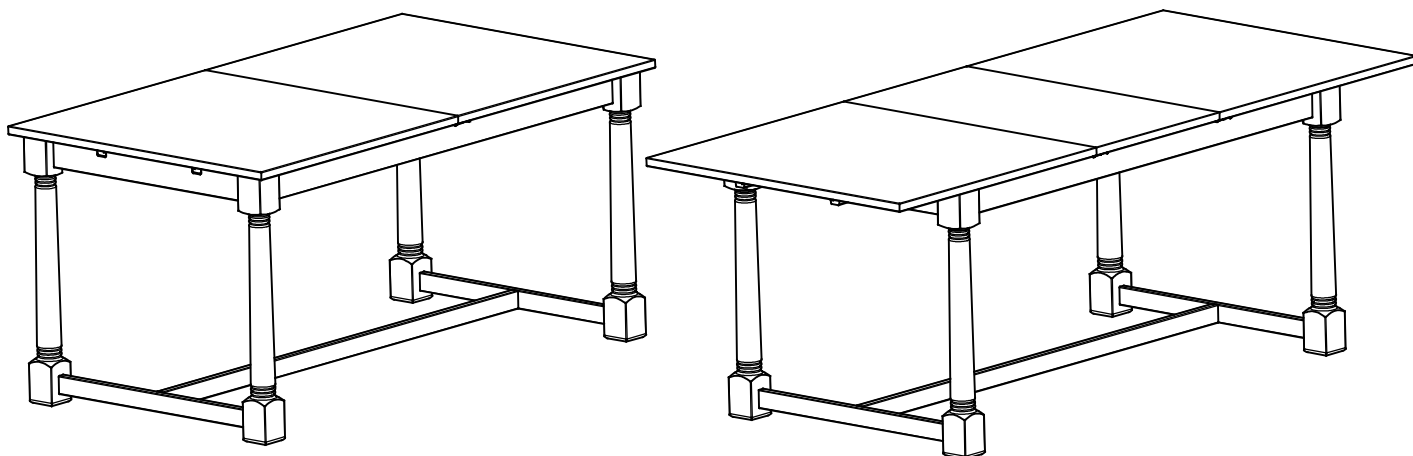


ASSEMBLY INSTRUCTION

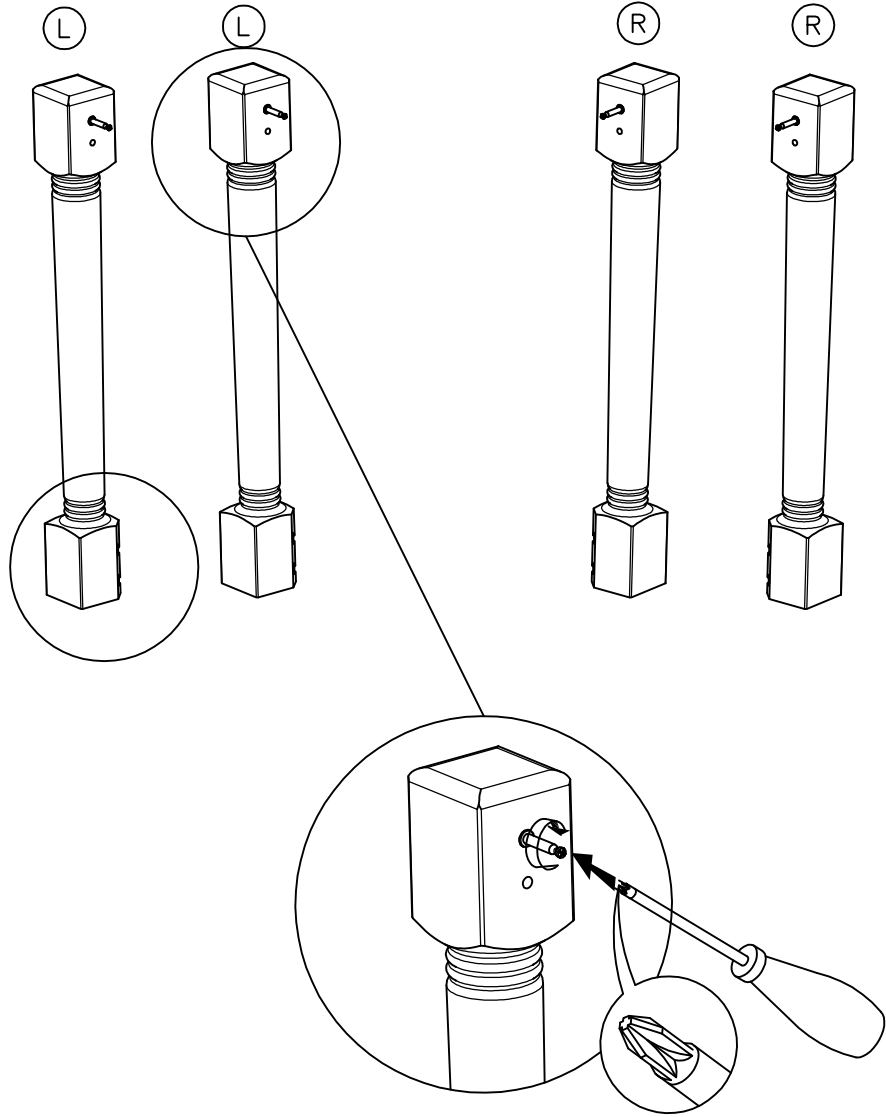
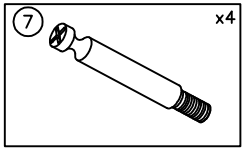
WELLINGTON

EXTENDING DINING TABLE

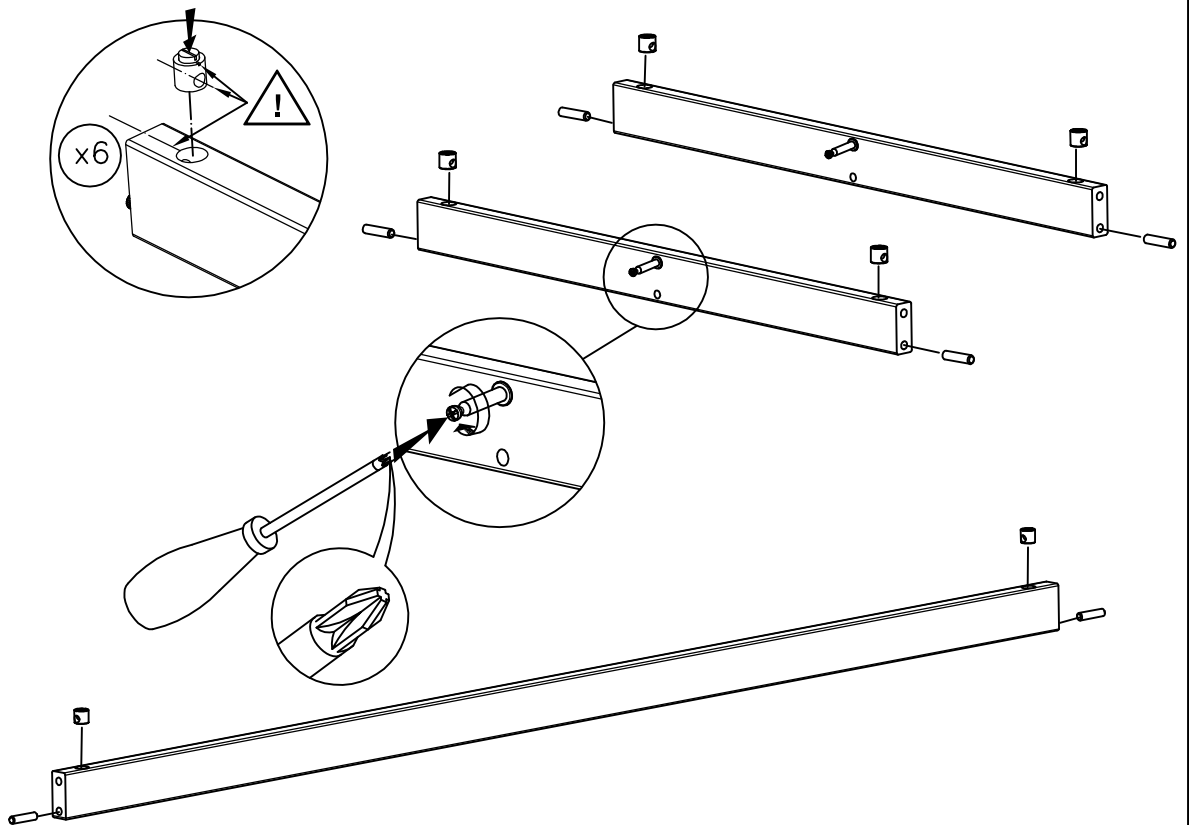
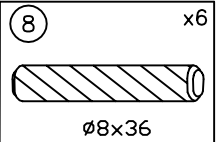
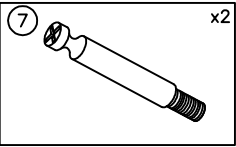
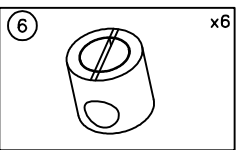
EDI1600



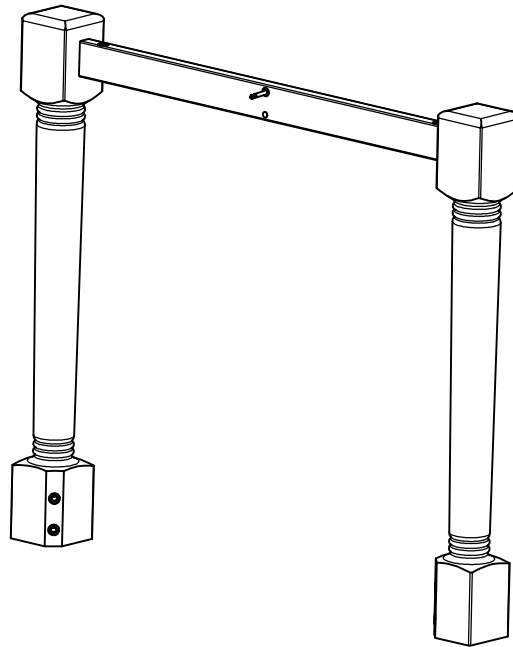
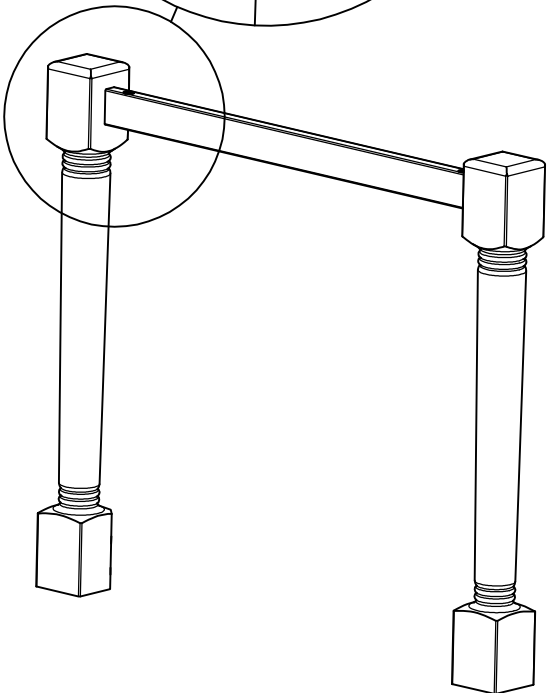
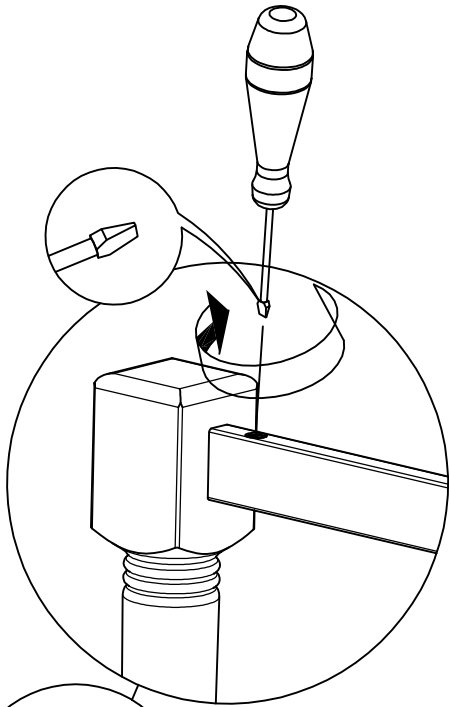
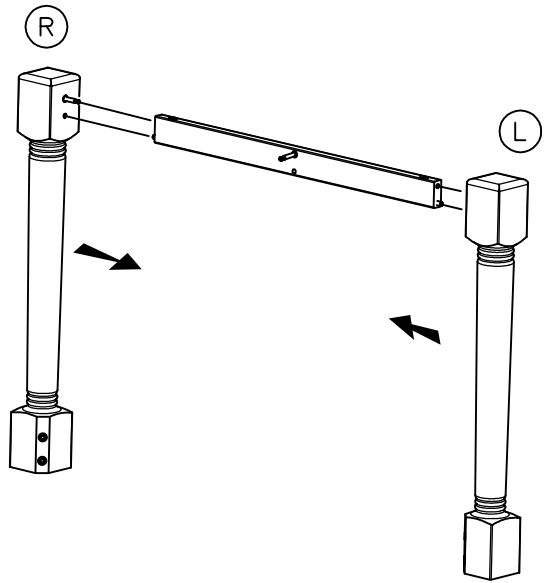
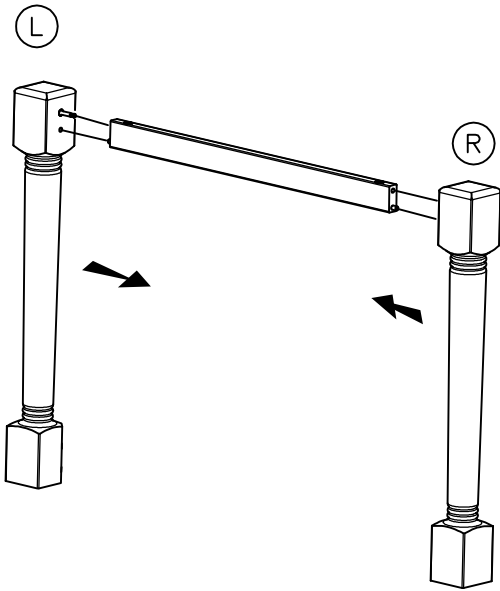
1.



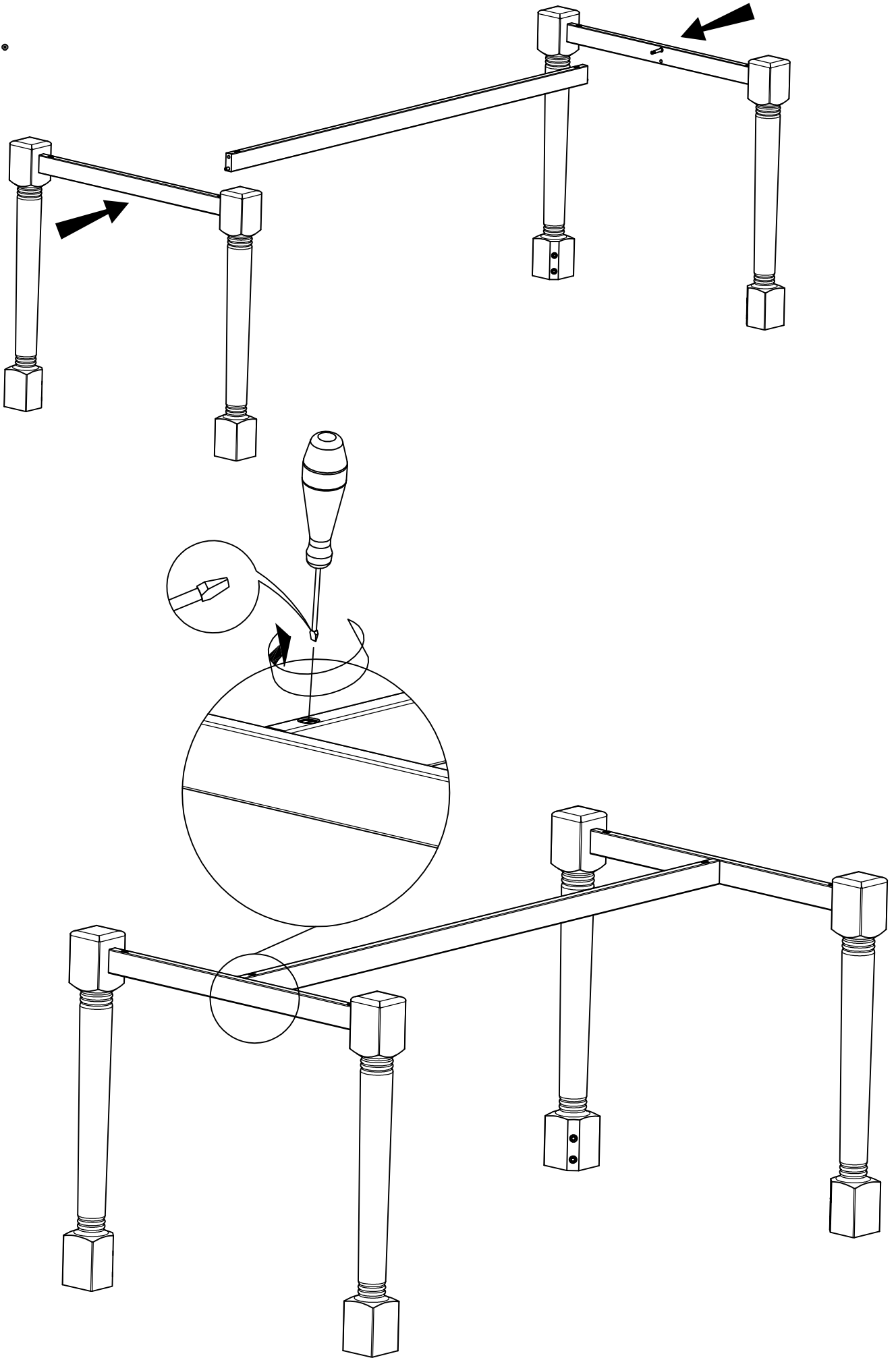
2.



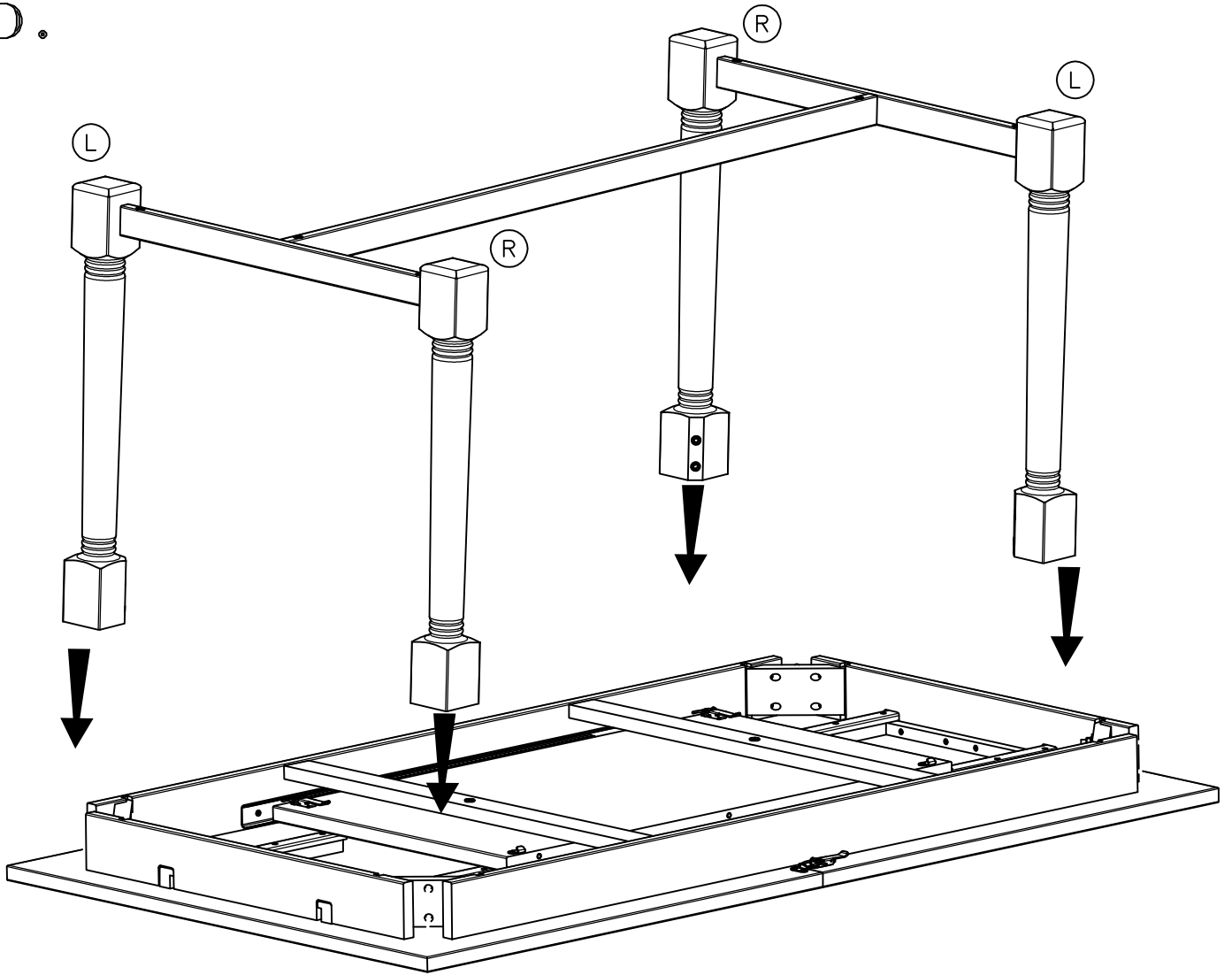
3.



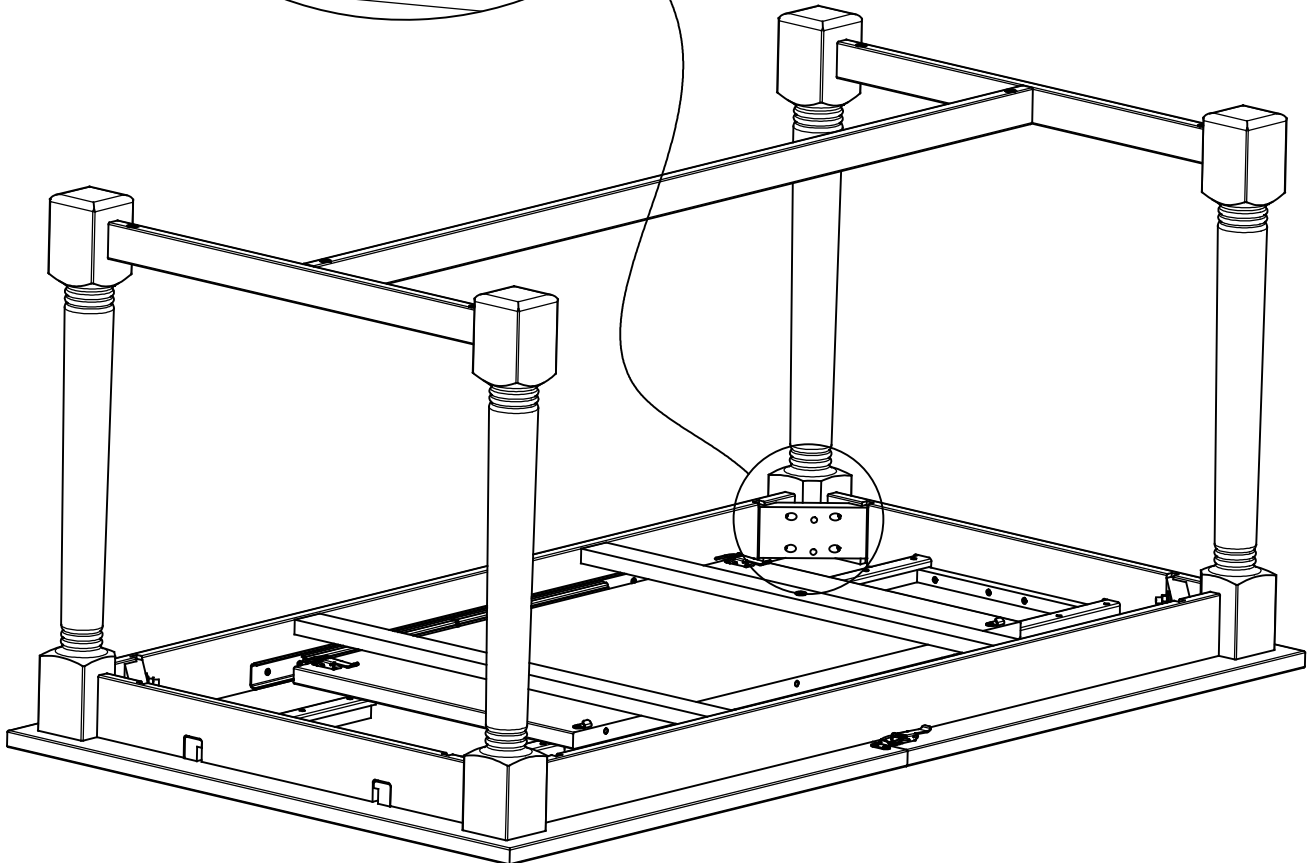
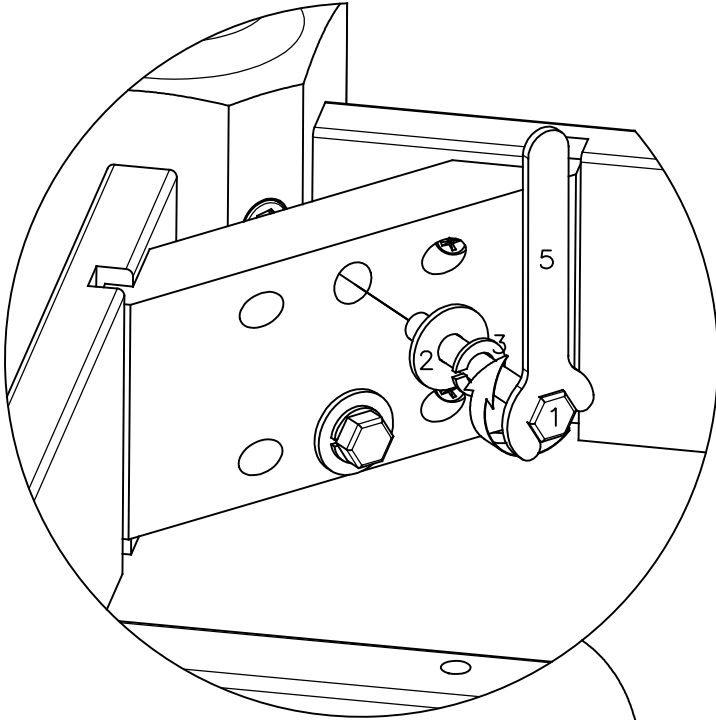
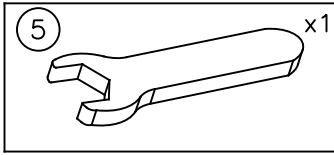
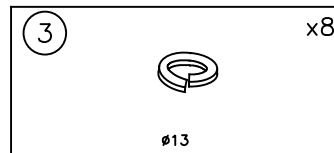
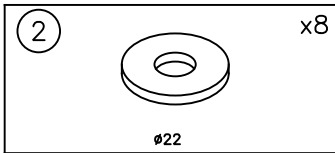
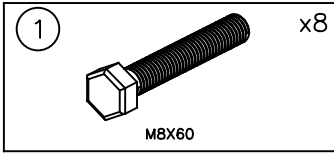
4.



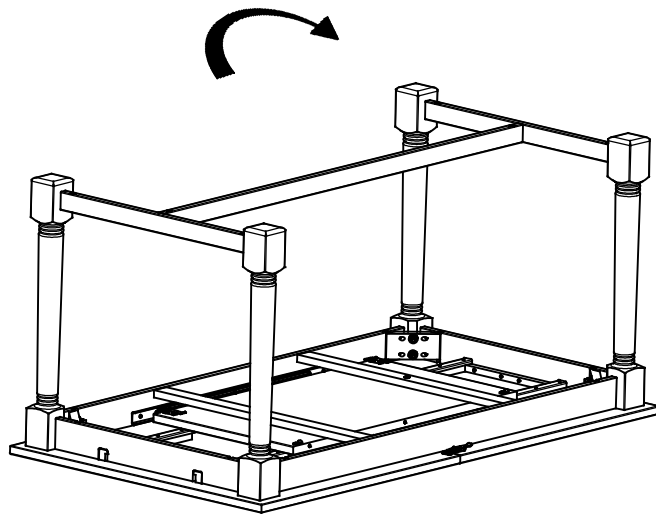
5.



6.



7.



8.

