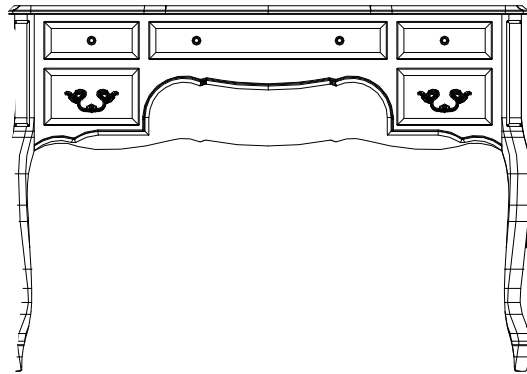


Laura Ashley

Provencale Dressing Table

Thank you for purchasing this product. Please read the instructions carefully before use to ensure safe and satisfactory operation of this product.



Please ensure instructions are read in full before commencing with this product.

Necessary Tools

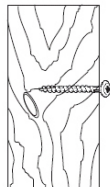


Please check the pack contents before you begin. A full checklist of components is given in this leaflet. If any components are missing, please contact the retailer from whom you bought this product.

Hardware And Wall Fixing Pack

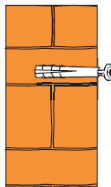
A	Strap x 1		B	Washer x 1	
C	Screw $\text{Ø}8 \times \frac{3}{4}'' \times 1$				

Wall fixing - if in doubt seek professional advice



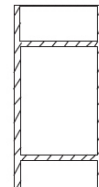
Wood

If fixing to wood make sure that it isn't chipboard as screws can easily pull away from the core structure



Brick or Masonry

Use an appropriate wall plug. Use an appropriate wall plug provided you are sure your wall is sound



Cavity wall

Special toggle wall plugs are needed. Seek expert advice

To avoid any risk of tipping, this unit must be safely secured to the wall (See Wall Mounting Instructions)

Safety Advice and Assembly Recommendations

- Do not stand or lean on this product.
- Make sure the area is clear when unpacking and positioning this product.
- Keep small children/pets away from assembly area. This product has small component parts that are a choking hazard.
- Make sure you assemble this product correctly as per the instructions and ensure all fittings are tight.

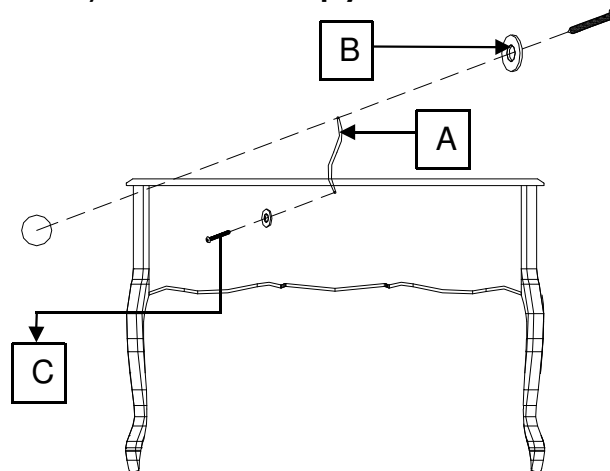
It must under no circumstances be used free-standing. No liability will be accepted for damage or personal injury caused by inadequate fixing or use without fixing.

Wall Mounting Instructions

To avoid any risk of tipping, this unit **must** be secured to the wall

1. Attach the **Wall Strap (A)** To the pre drilled hole on the top back of the Console Table using **Screw (C)** and **Washer (B)** (See illustration). **Fig 2**
2. Determine the final position of your furniture piece. Ensure the furniture is level and square. Mark location on wall. **Before drilling, check for any hidden water pipes, or electrical wires.**
3. Attach the **Wall Attachment Strap** to the wall with suitable fixings (**not supplied**)
4. Ensure that the wall **bracket/strap** is secure.

If for any reason you need to move your furniture, **simply remove the wall fixing screw.**



Back view

Care and Maintenance. Please refer to Laura Ashley Care Guide

PLEASE KEEP THESE INSTRUCTIONS FOR FUTURE REFERENCE

If you have any queries with this product please contact
Laura Ashley Customer Services. Tel: 08719835999

www.lauraashley.com