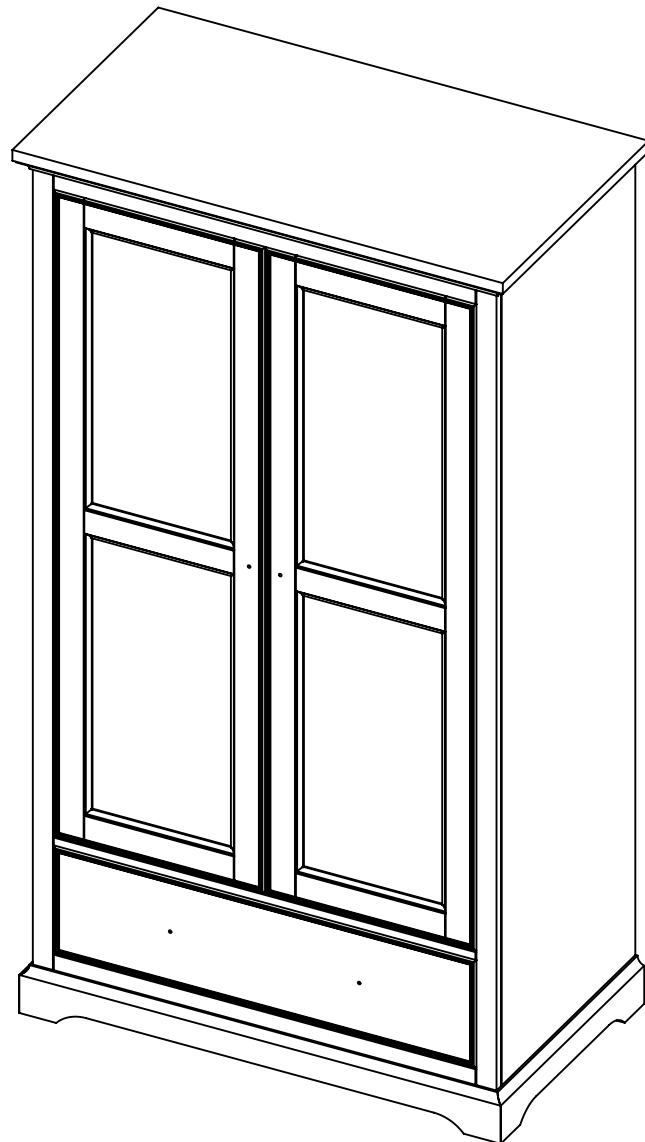
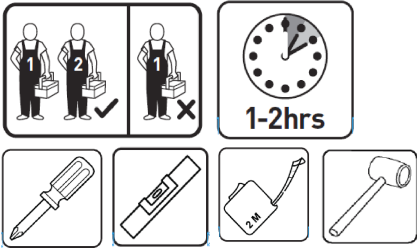
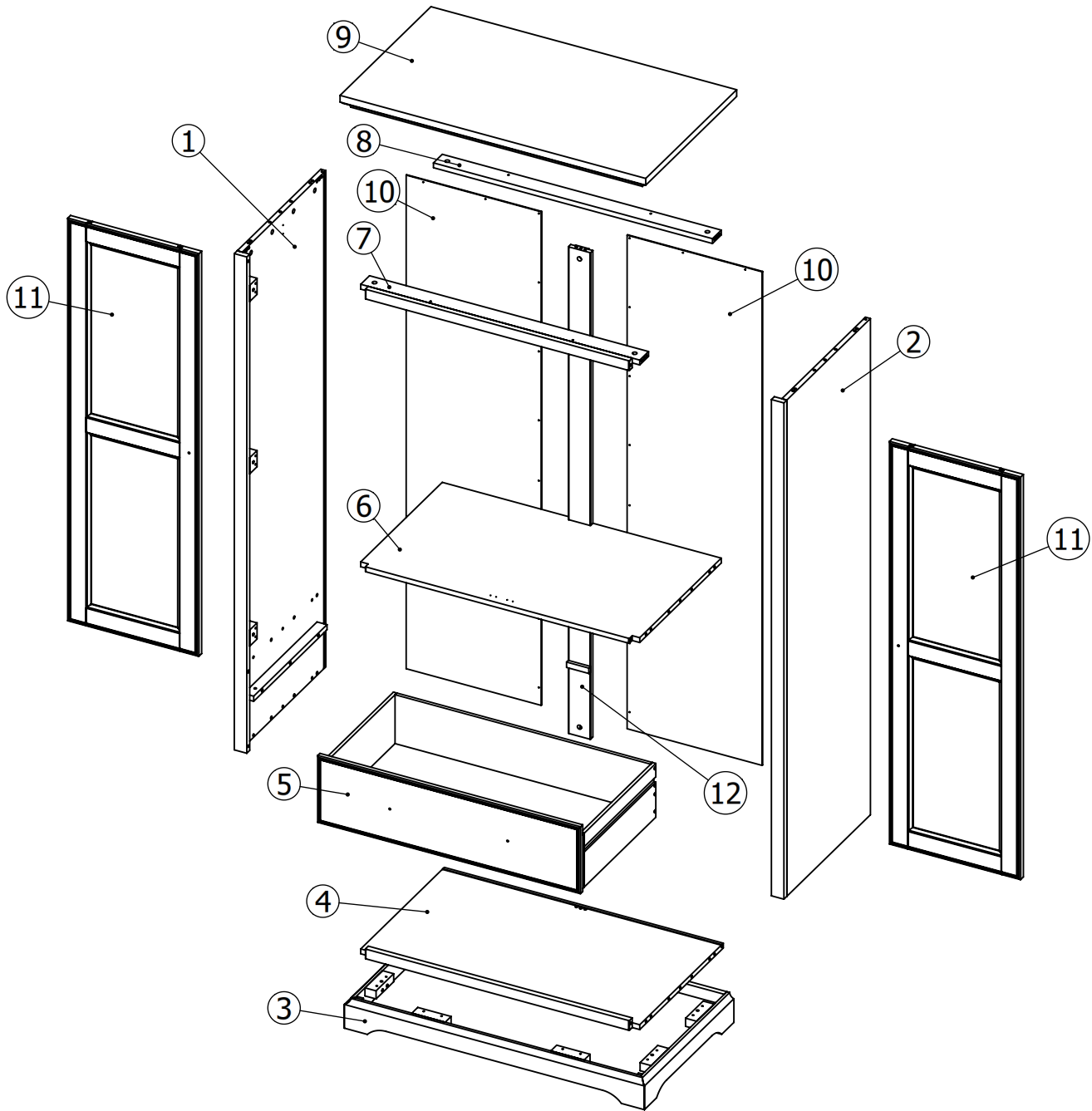
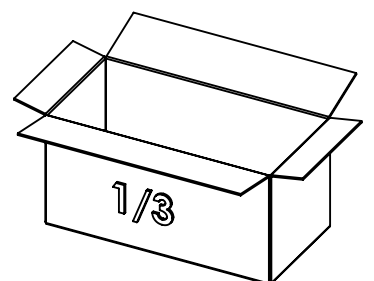
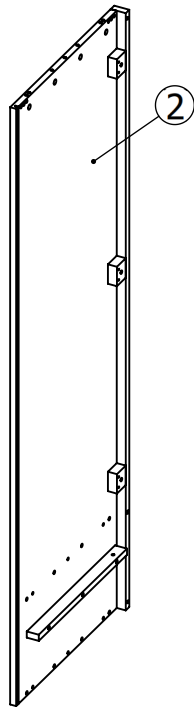
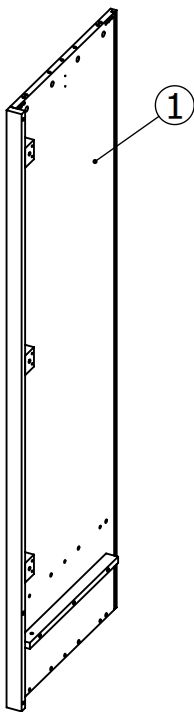
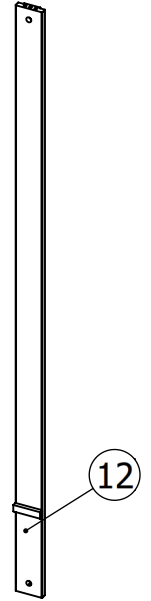
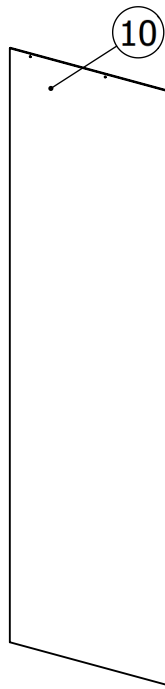
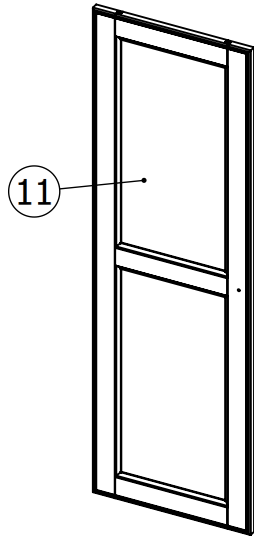
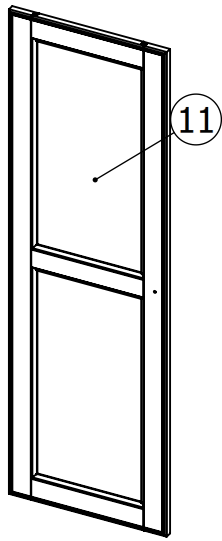
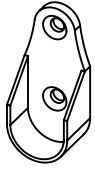


OAKHAM WARDROBE

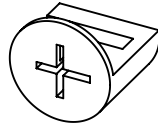




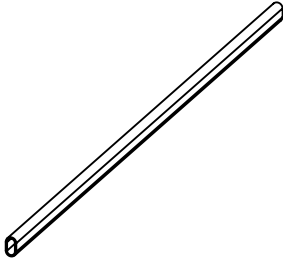




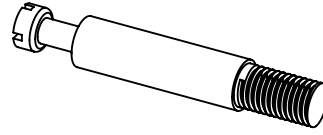
A X2



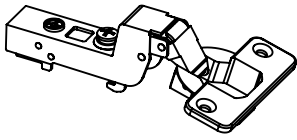
Y X32



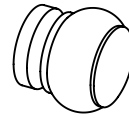
B X1



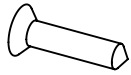
J X32



C X6

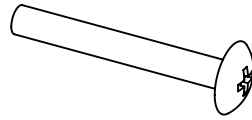


K X4



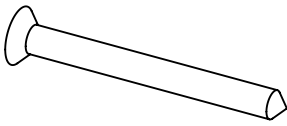
3.5x16

D X16



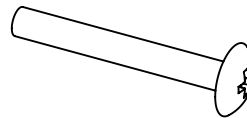
M4x28

L X2



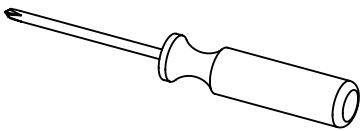
4x40

E X20

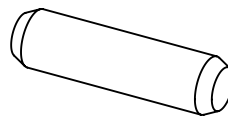


M4x40

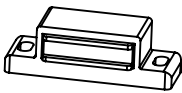
M X2



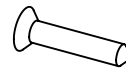
F



N X38



G X4



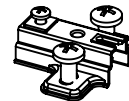
3x16

O X20



3x12

H X4



P X6



3x16

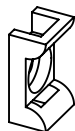
I X8



V X4



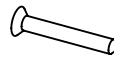
R X2



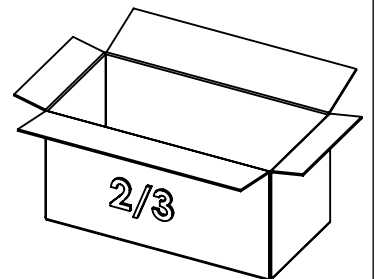
S X4

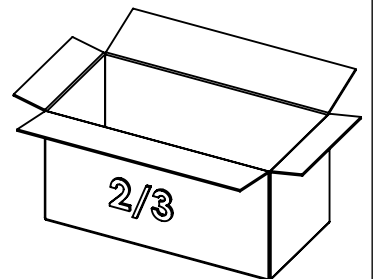
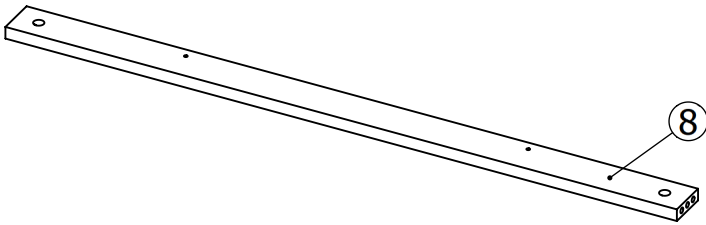
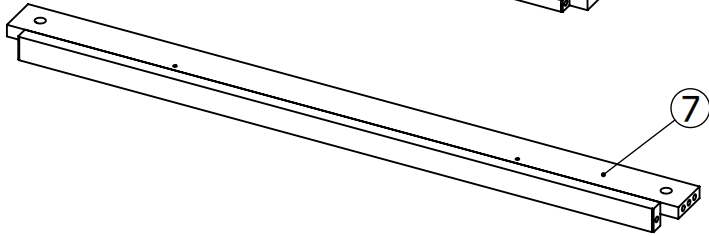
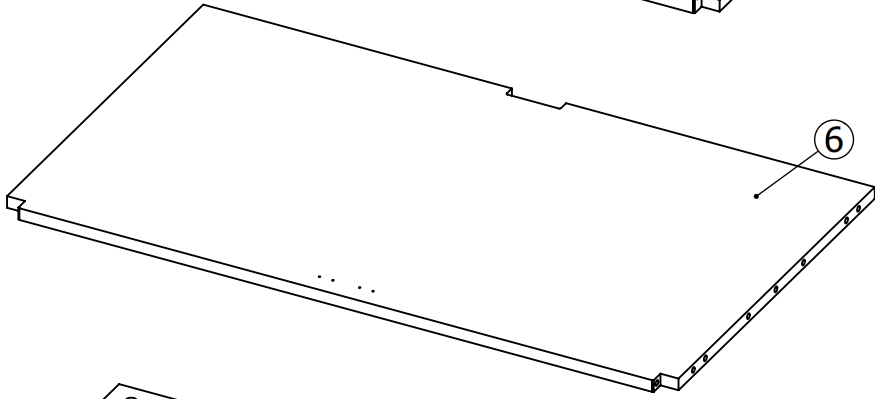
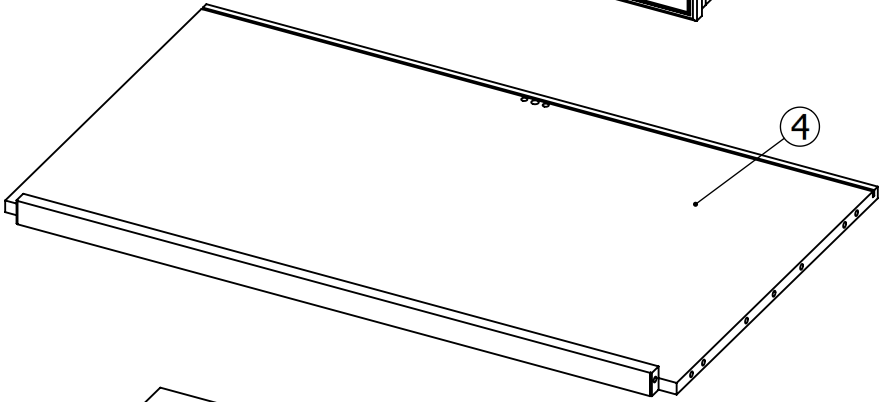
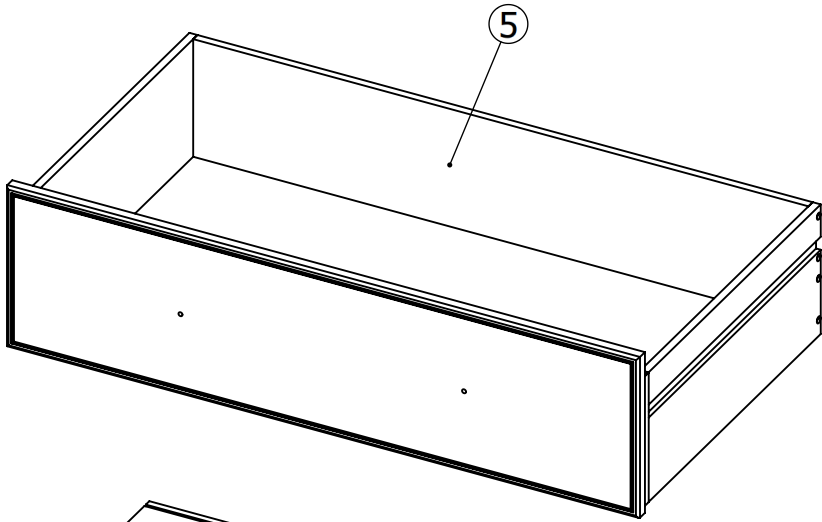


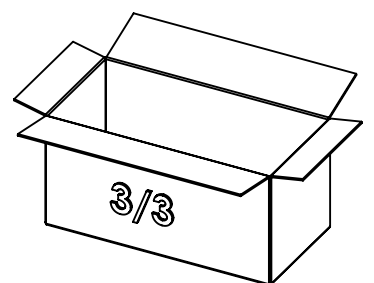
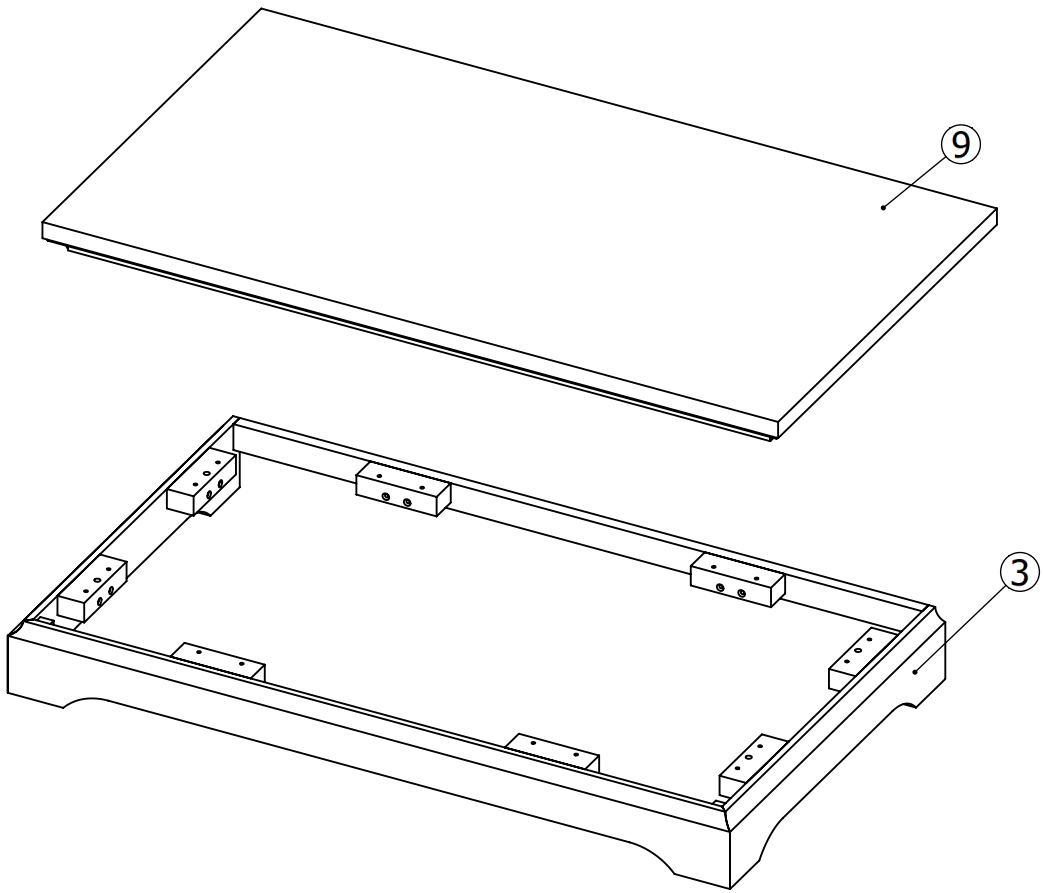
T X2



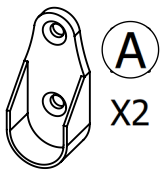
U X2



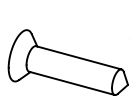




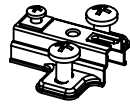
STEP 1



(A)
X2



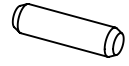
(D) X4
3.5x16



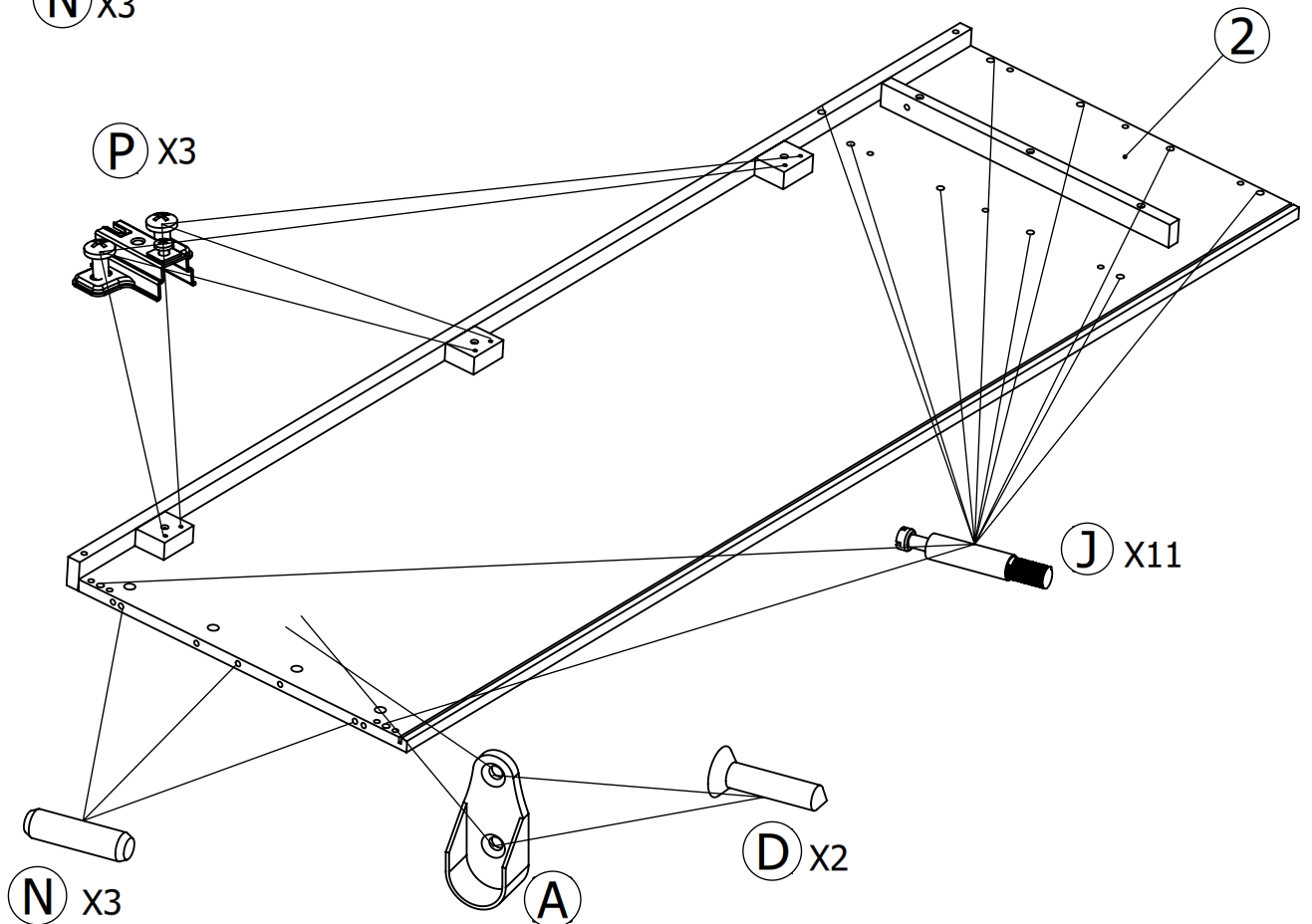
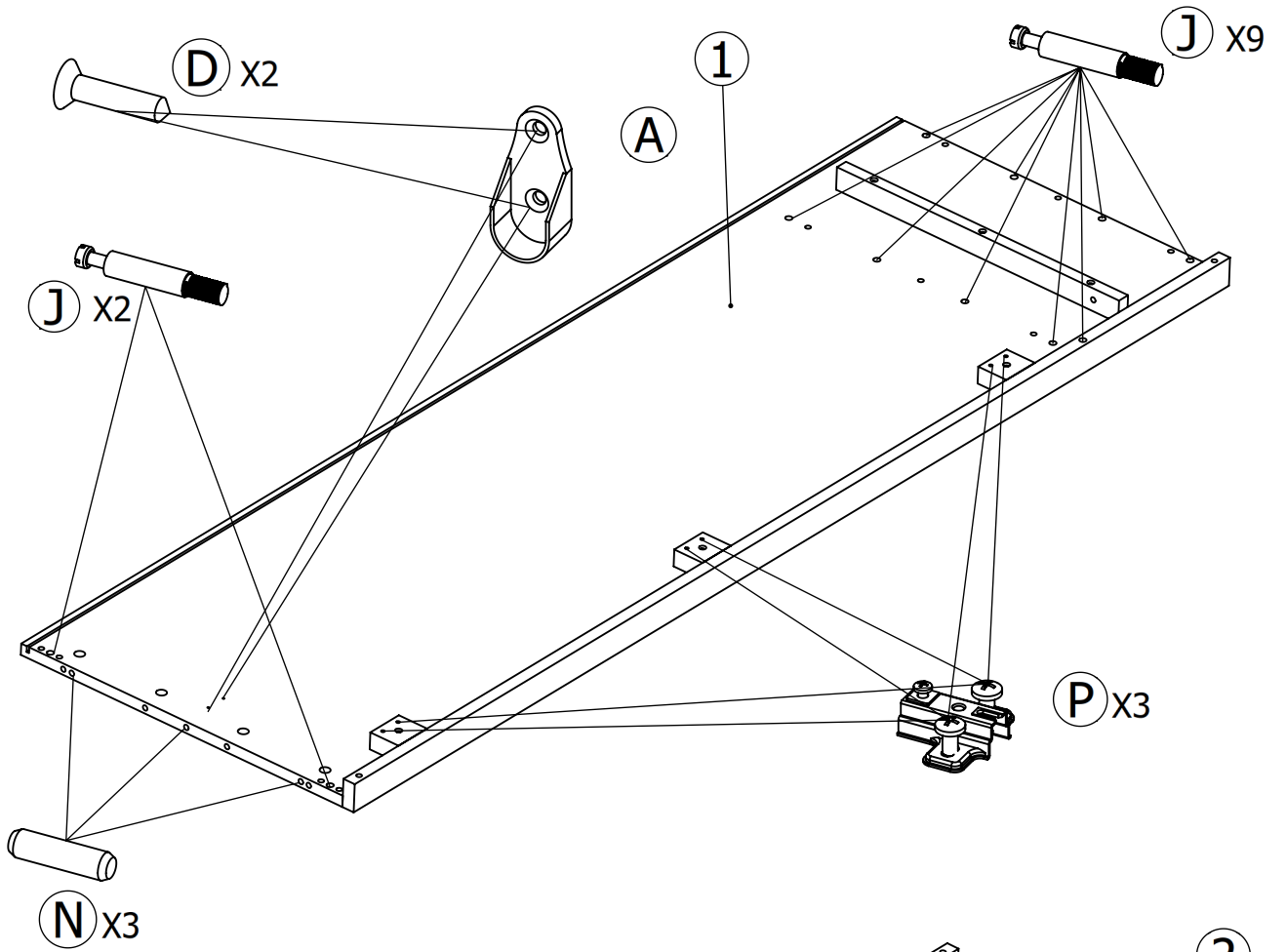
(P) X6



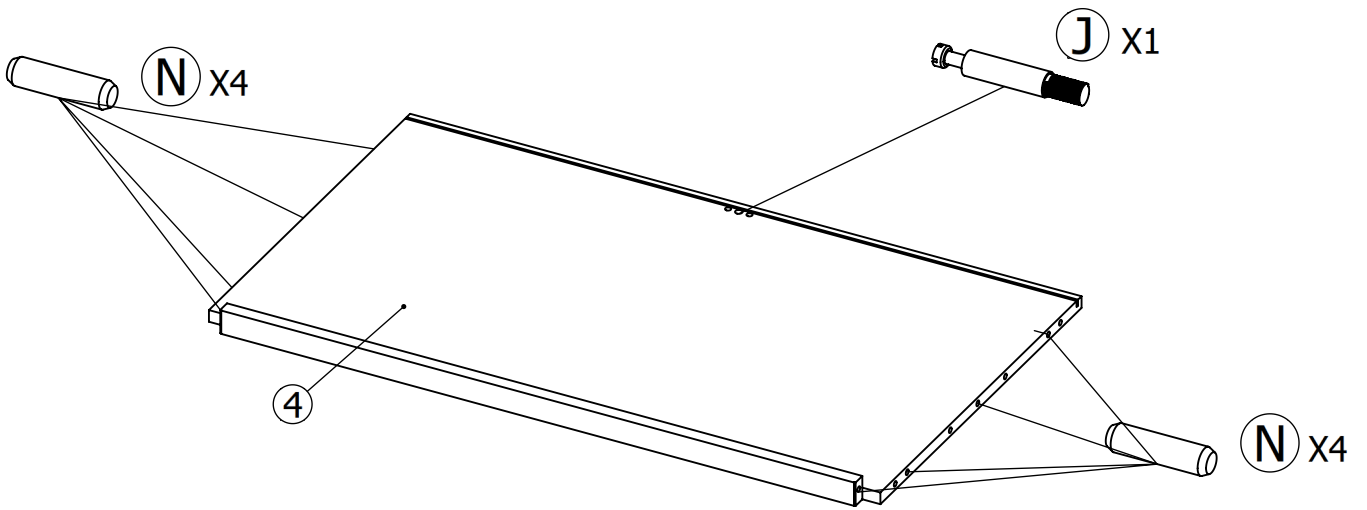
(J) X22



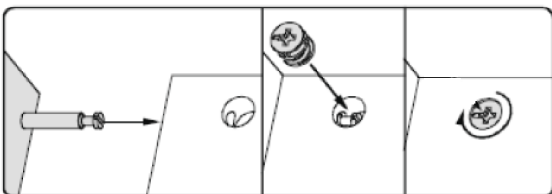
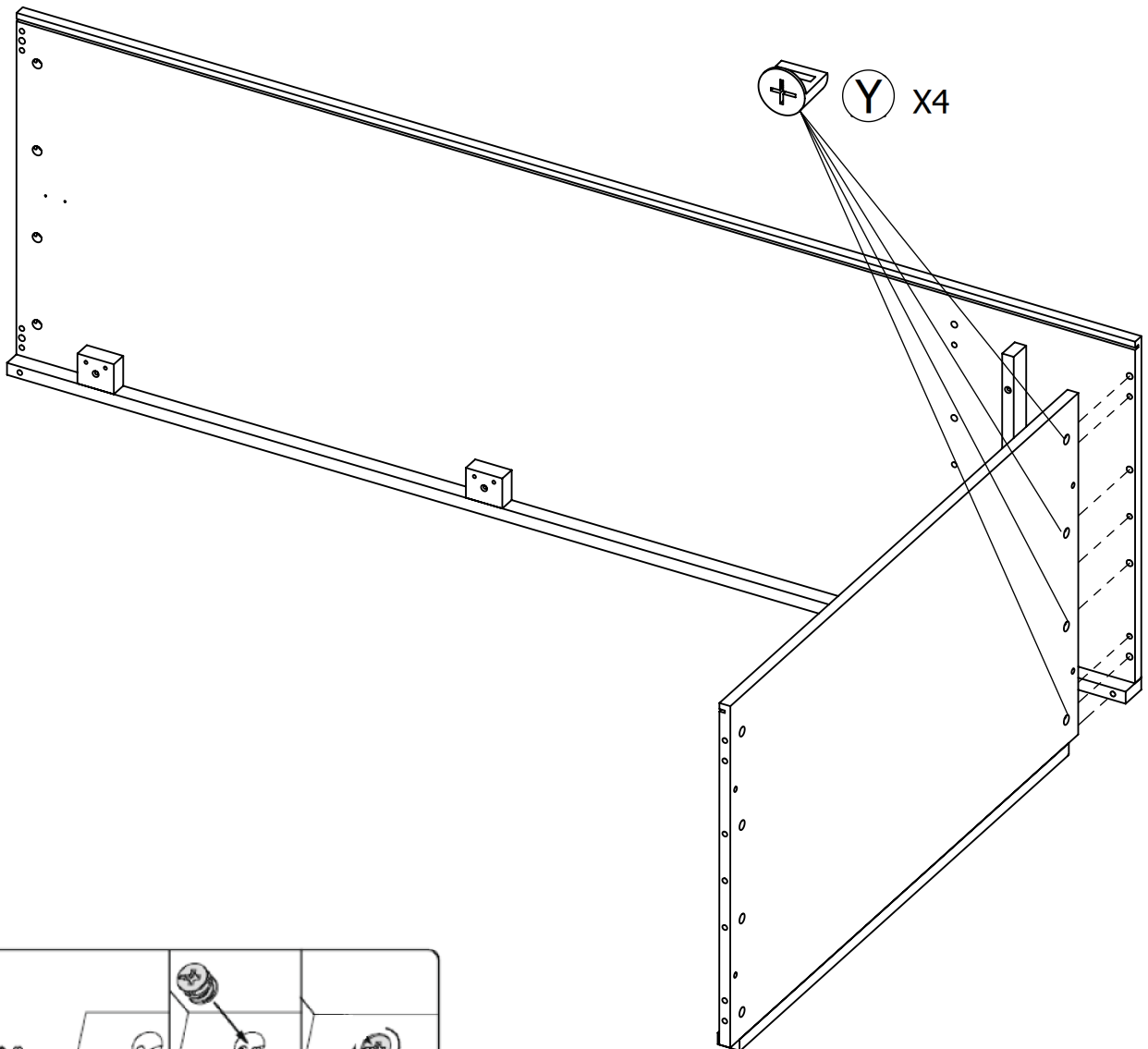
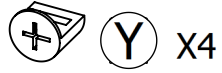
(N) X6



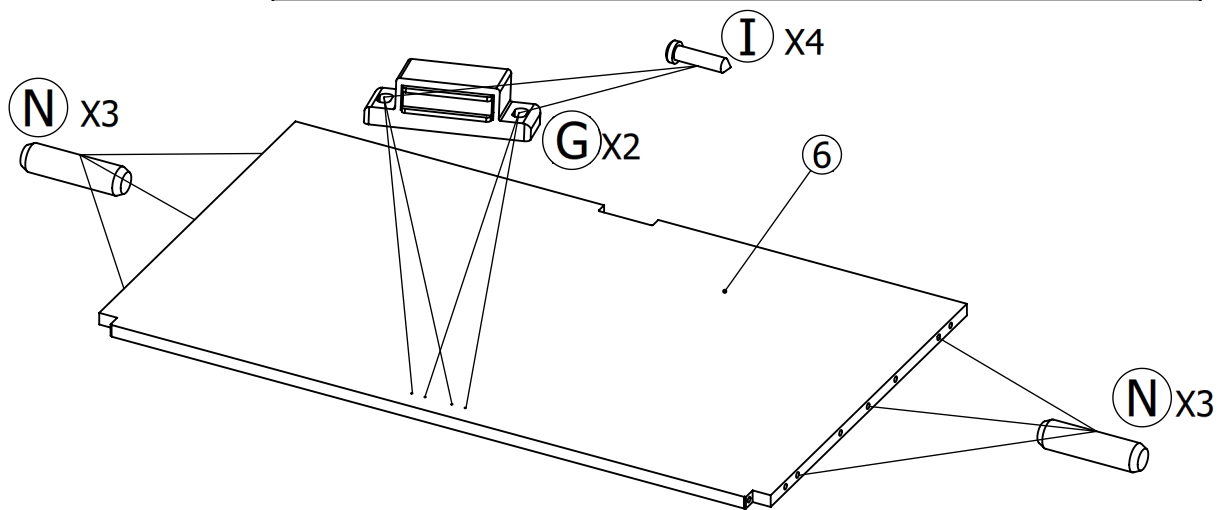
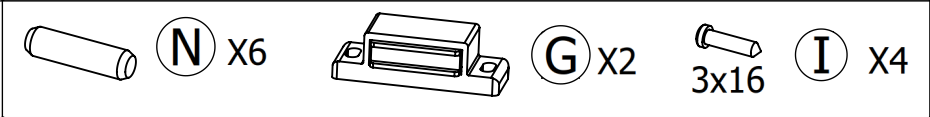
STEP 2



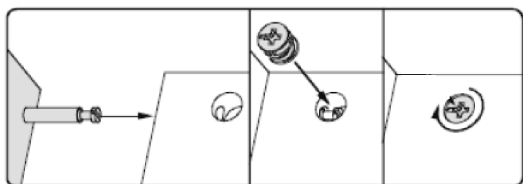
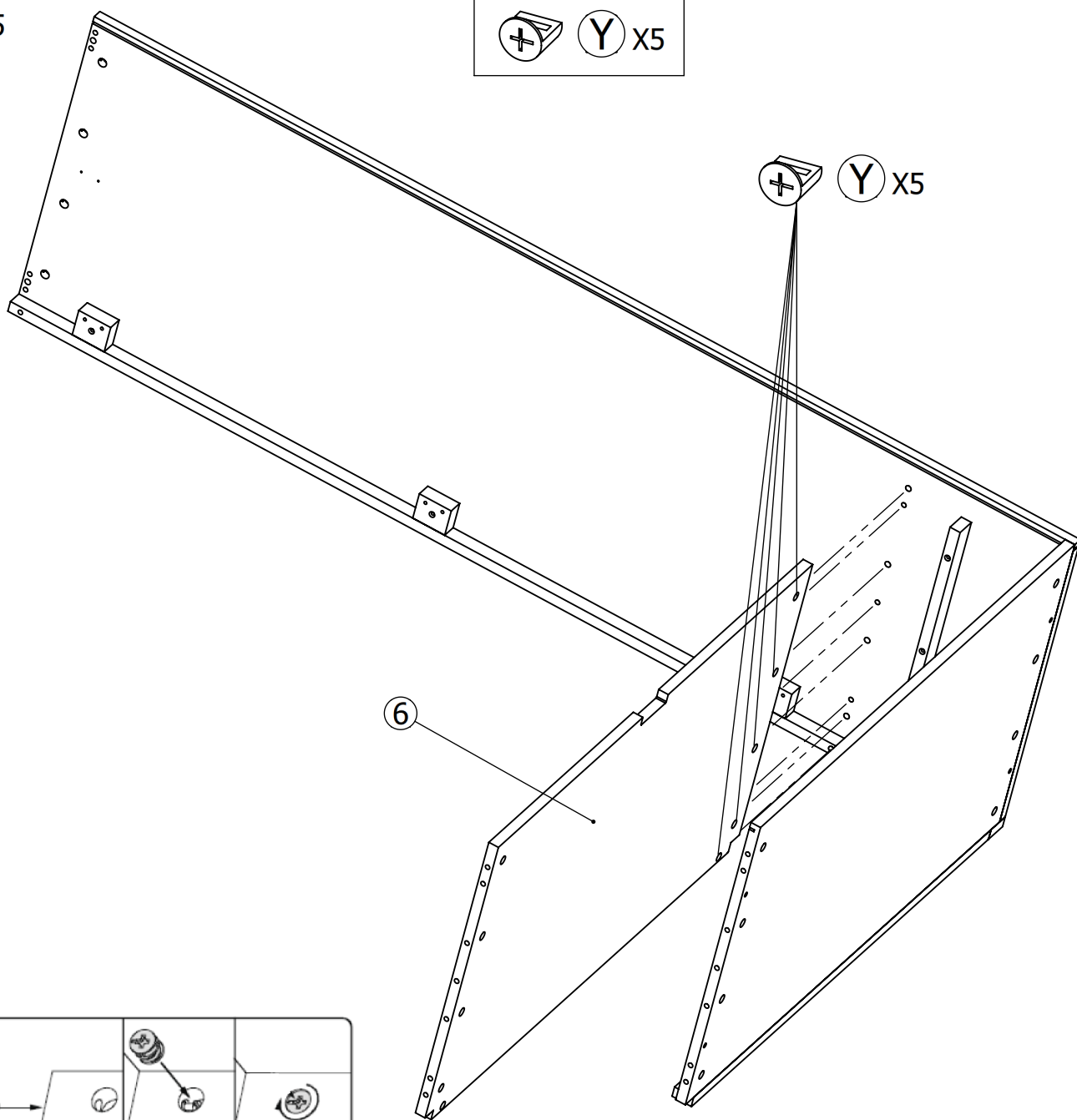
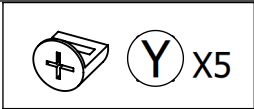
STEP 3



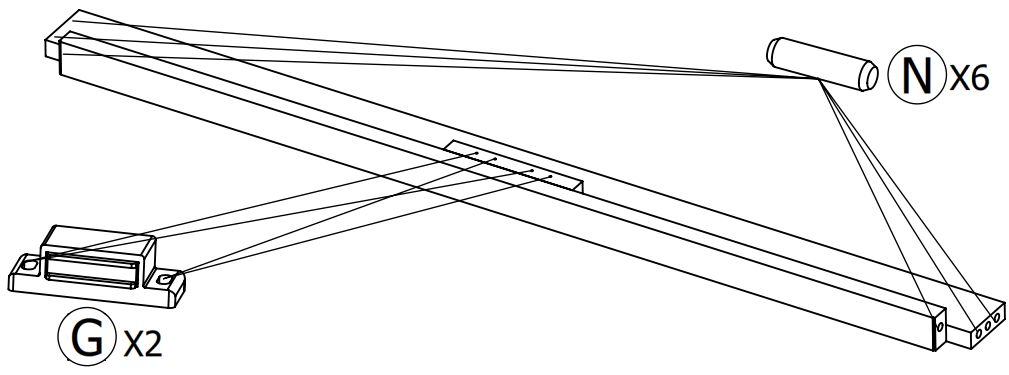
STEP 4



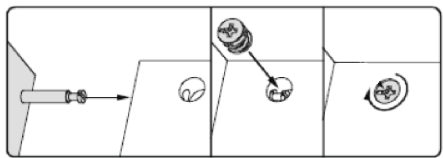
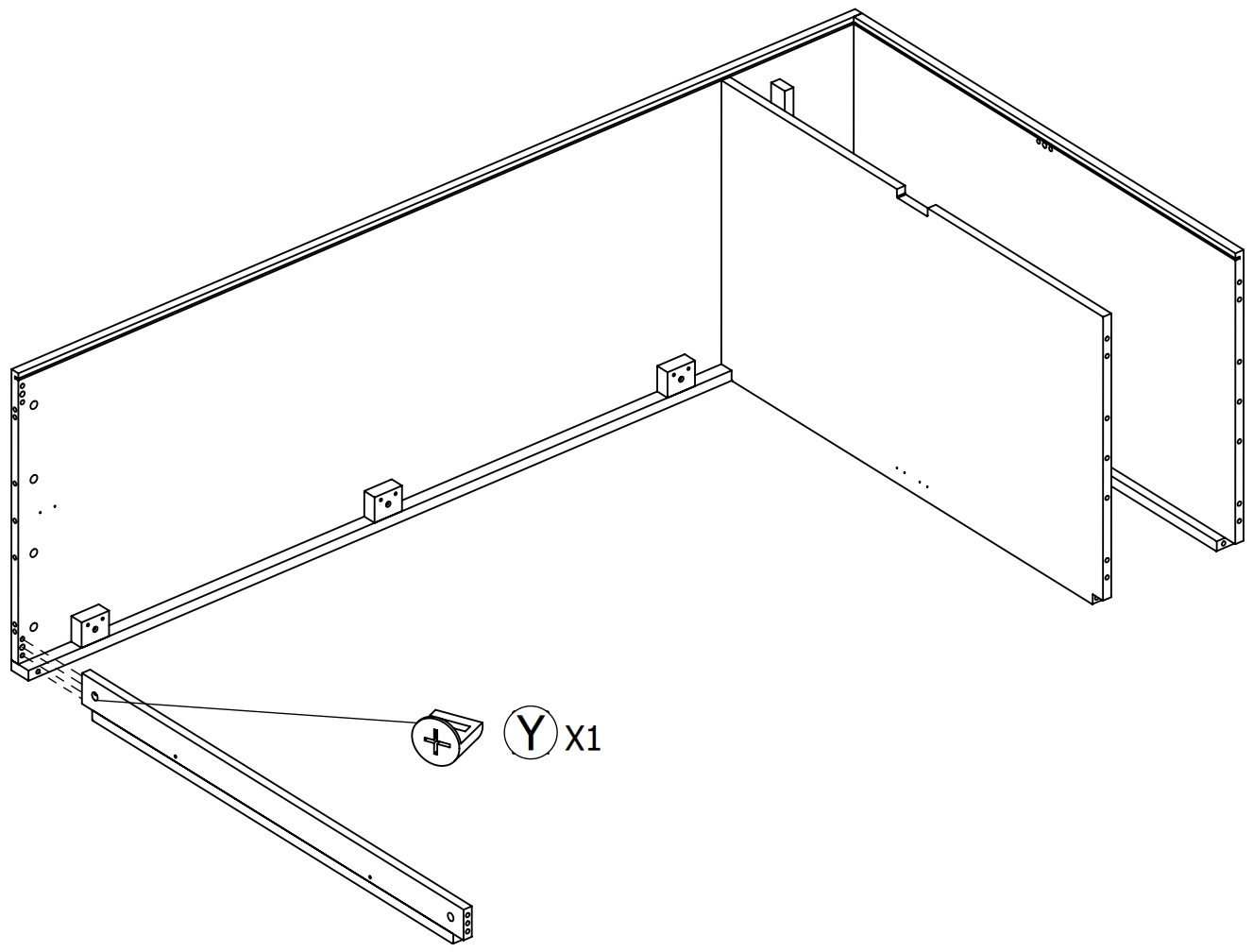
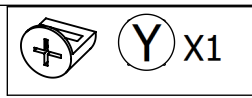
STEP 5



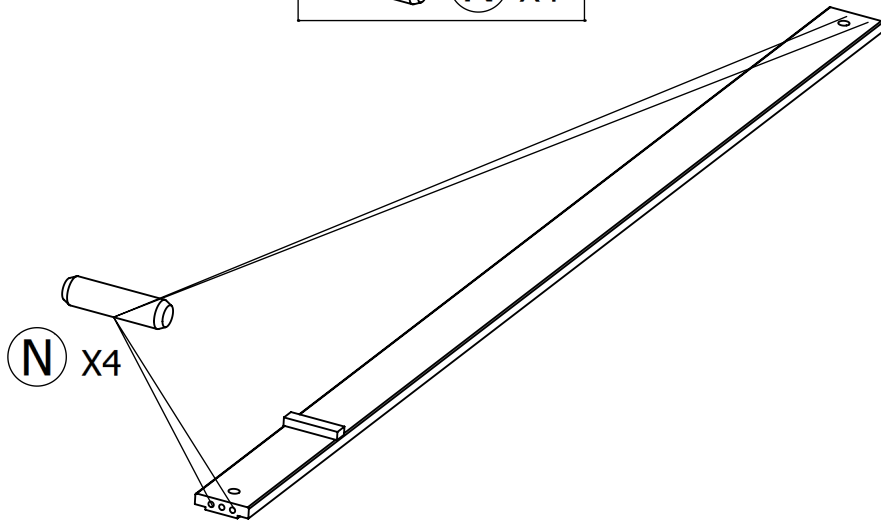
STEP 6



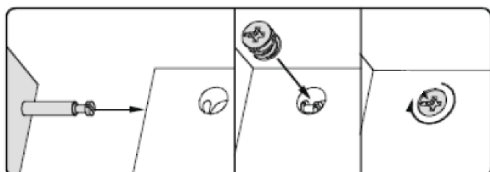
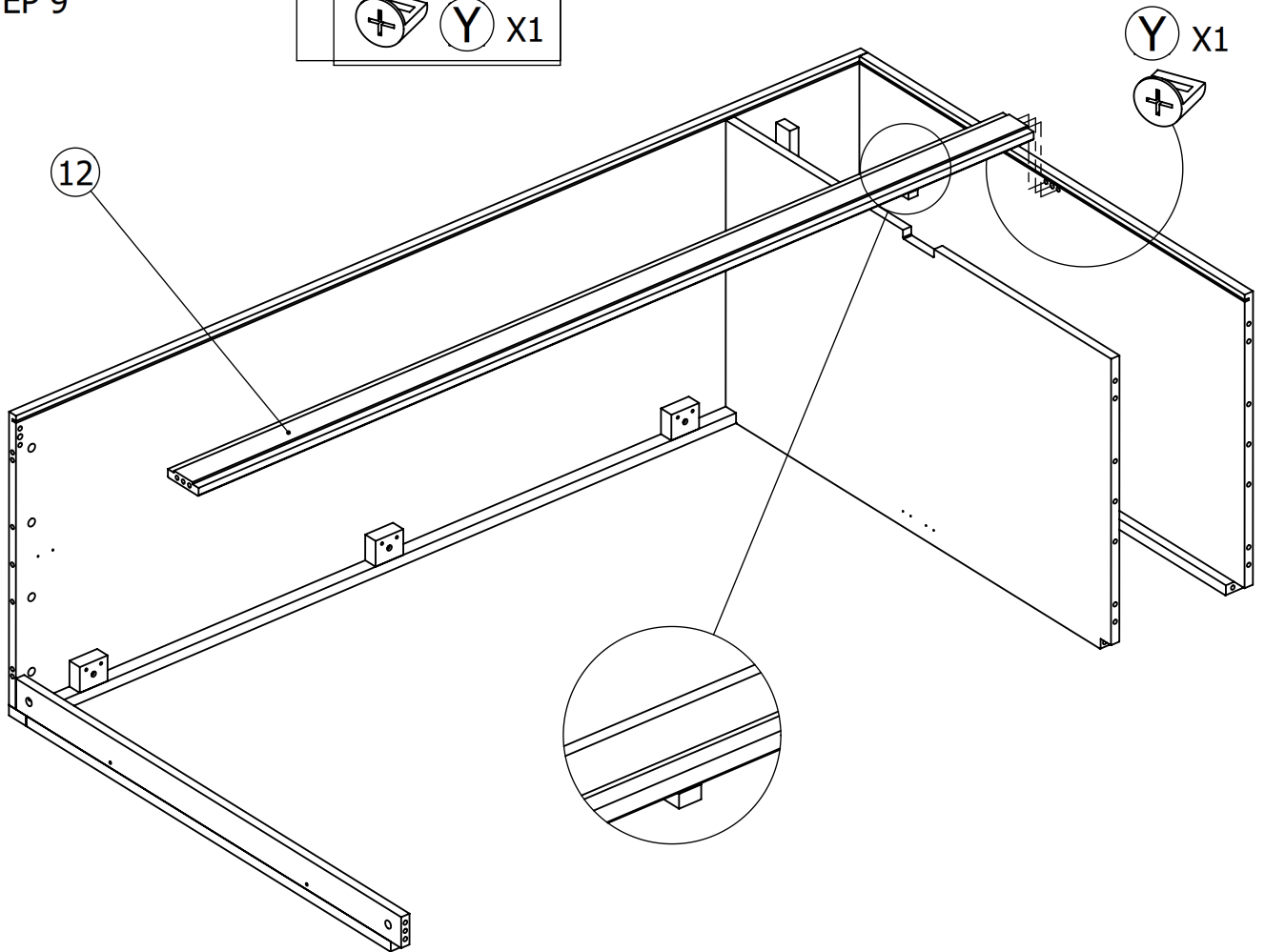
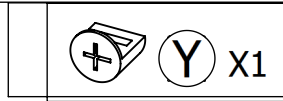
STEP 7



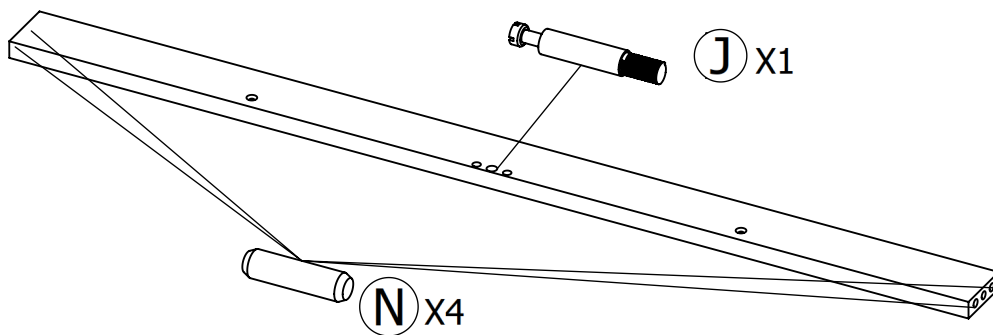
STEP 8



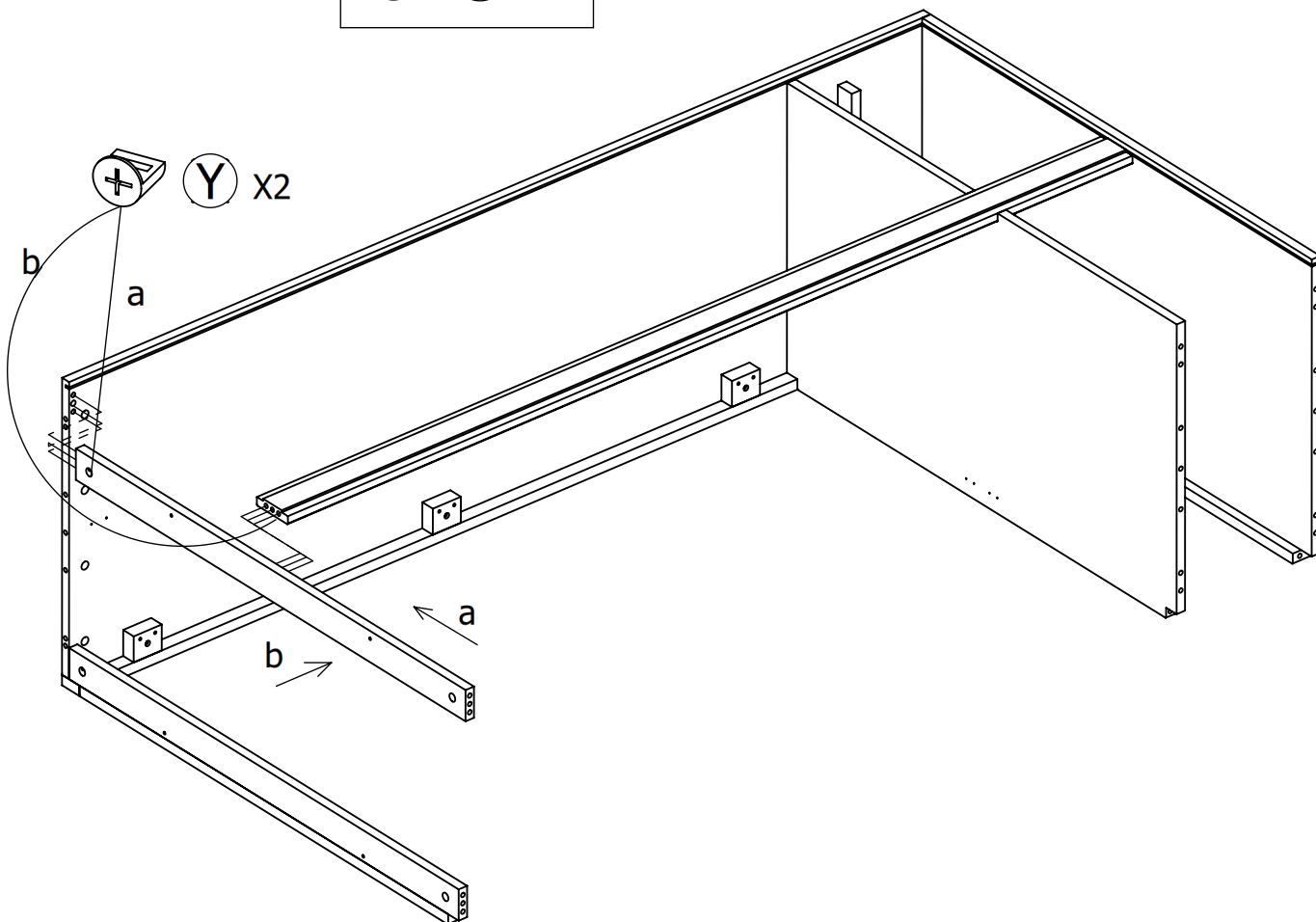
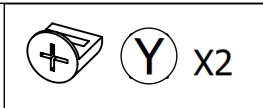
STEP 9



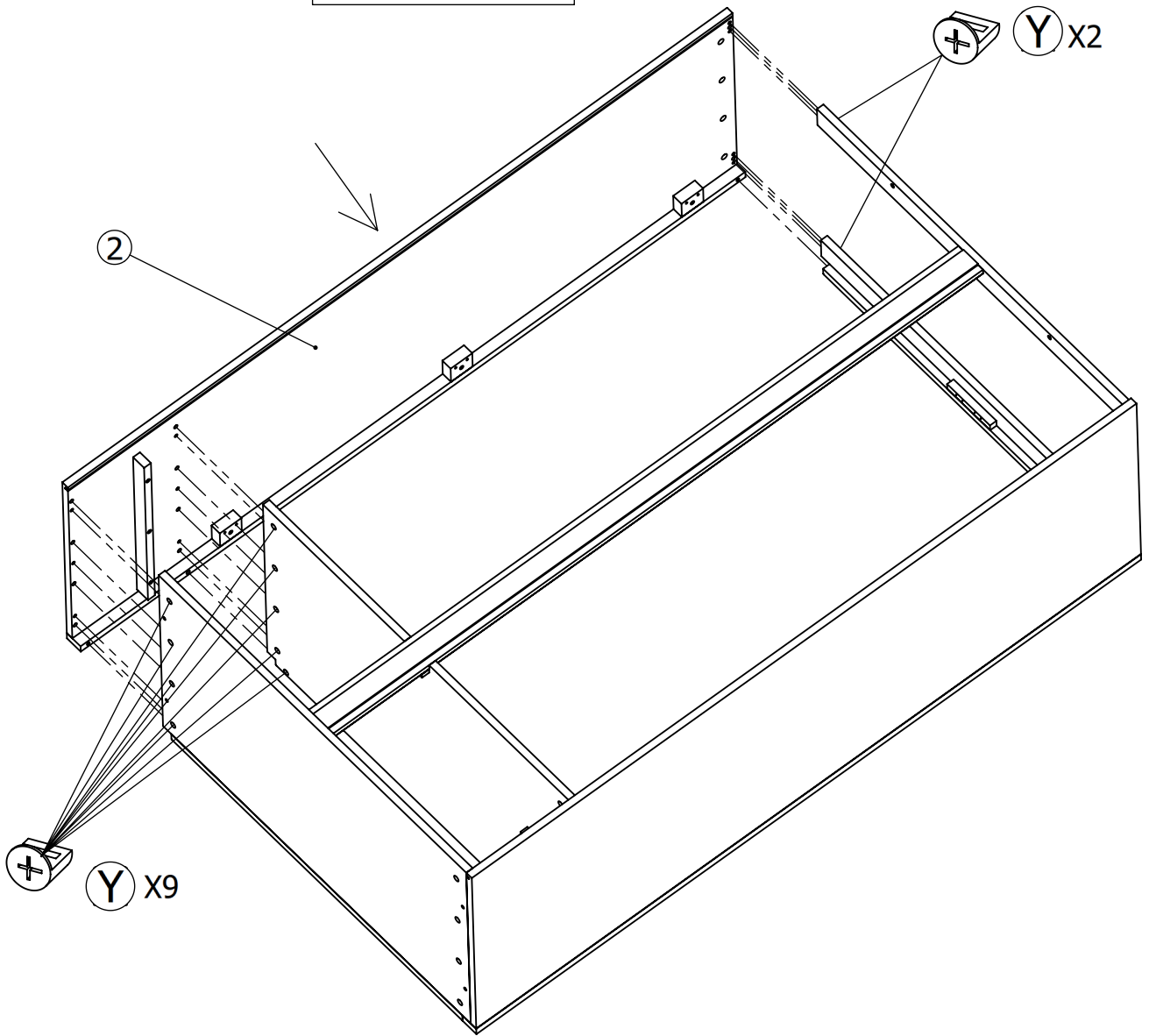
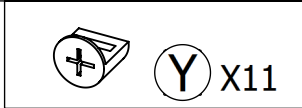
STEP 10



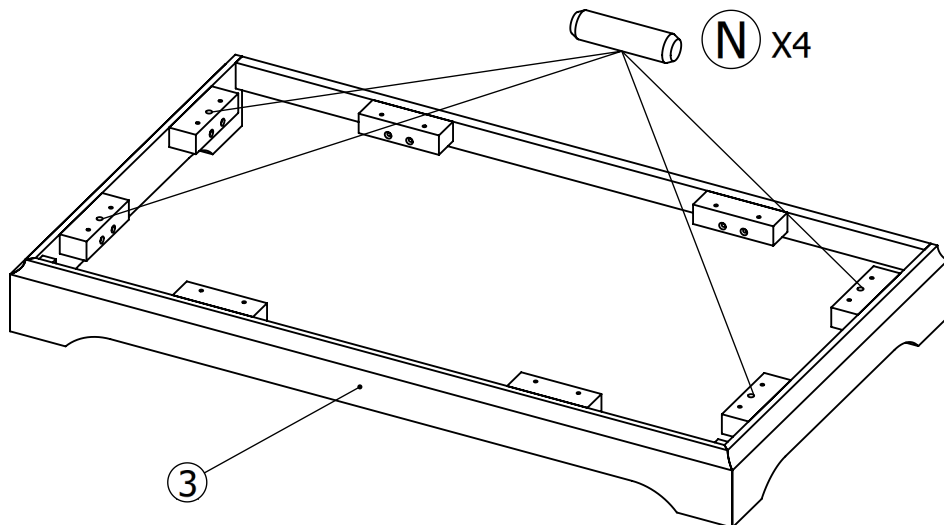
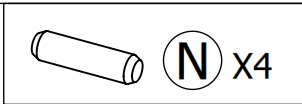
STEP 11



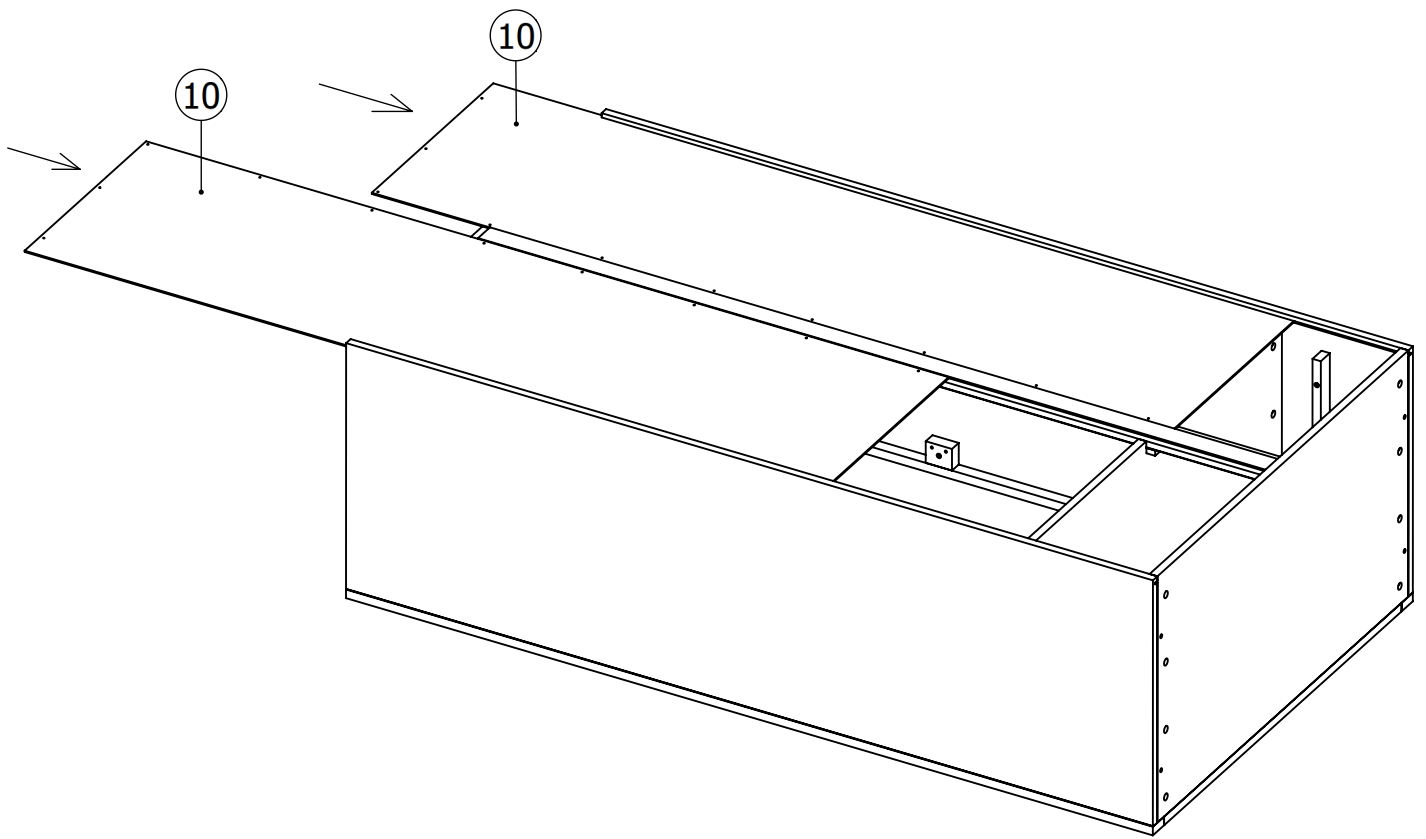
STEP 12



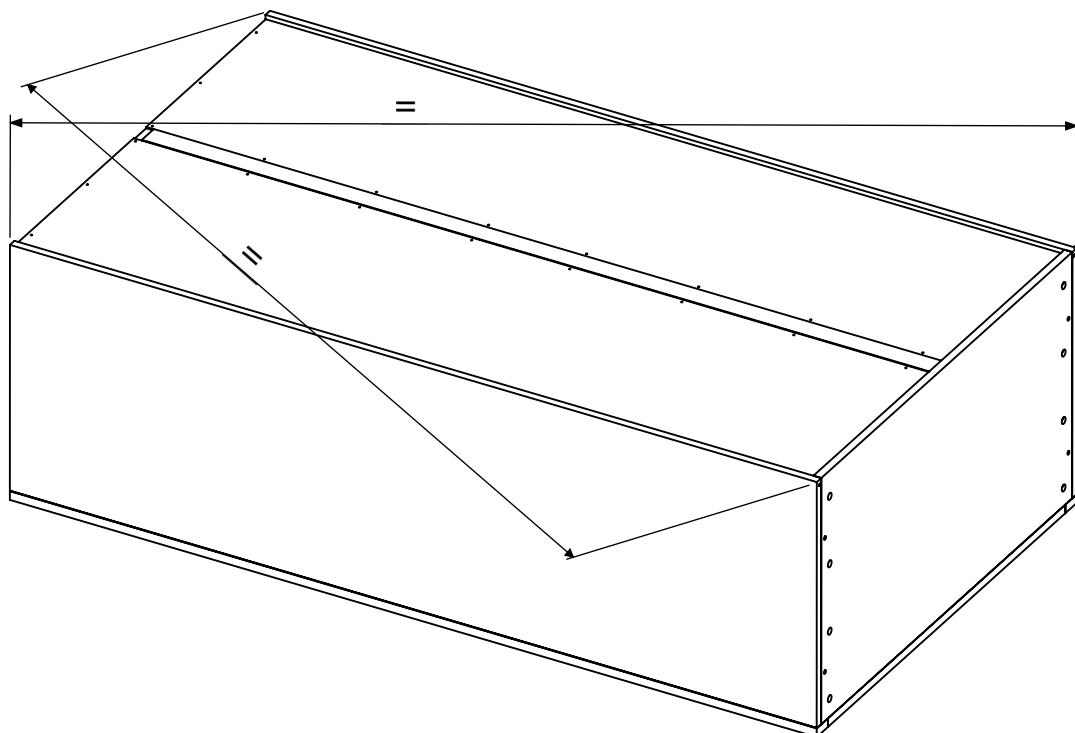
STEP 13



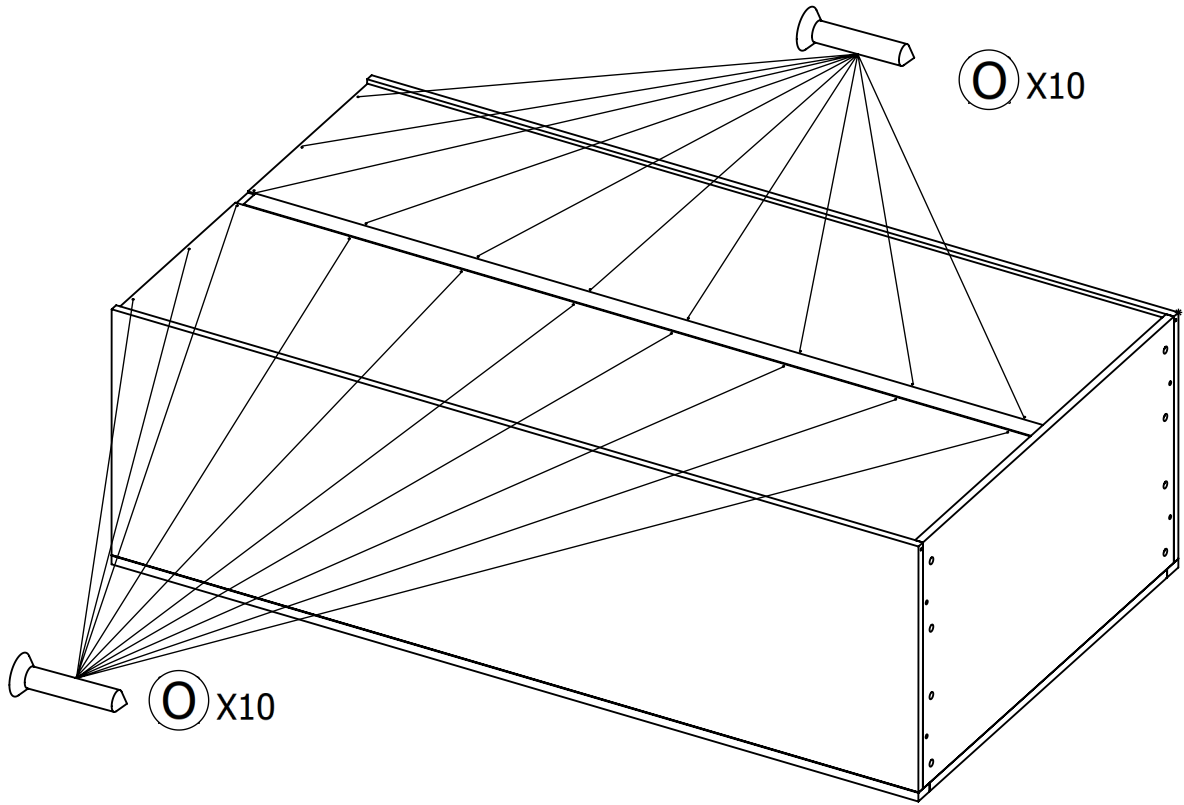
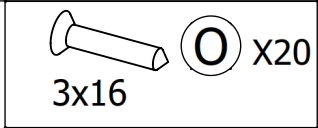
STEP 14



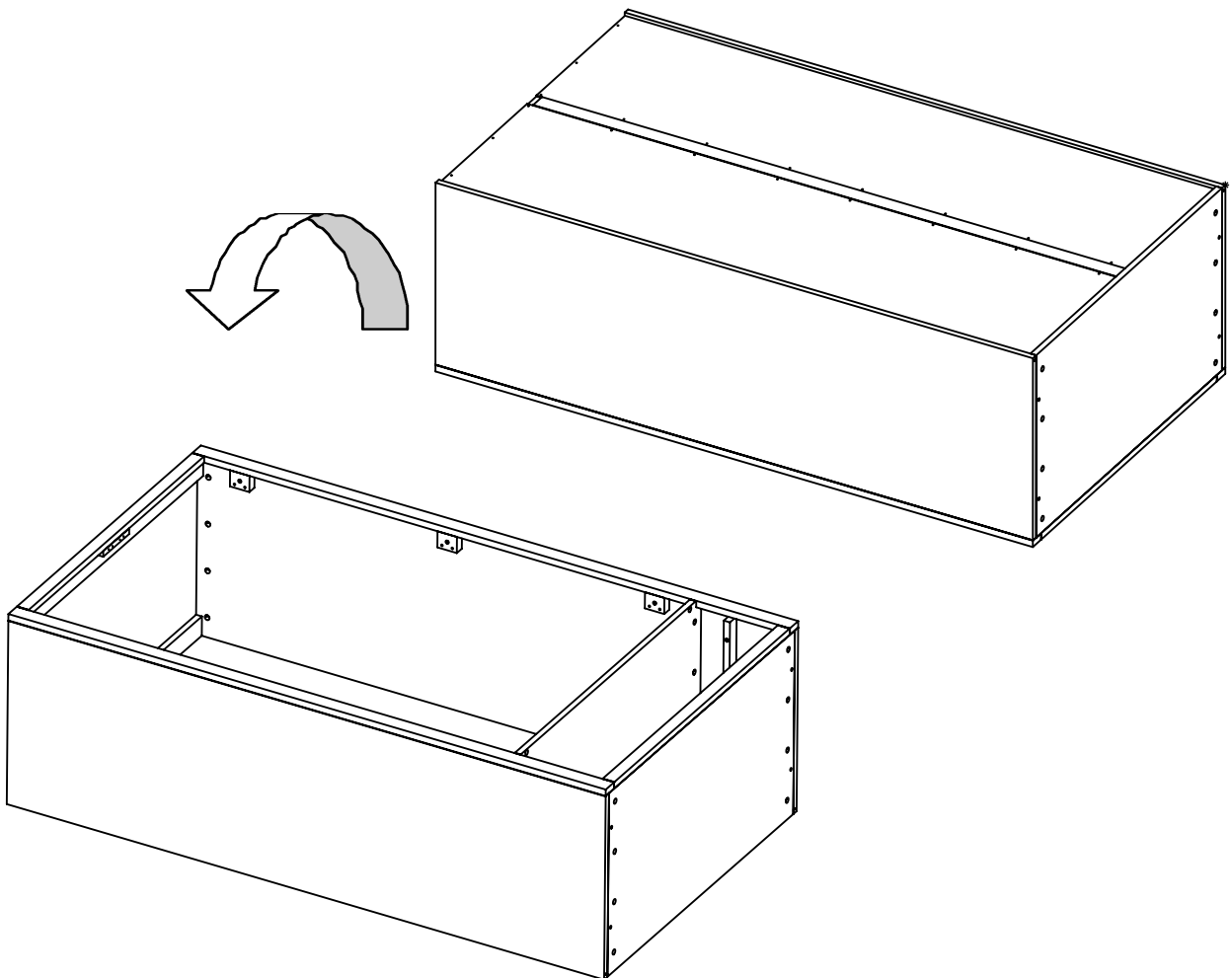
STEP 15



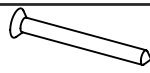
STEP 16



STEP 17

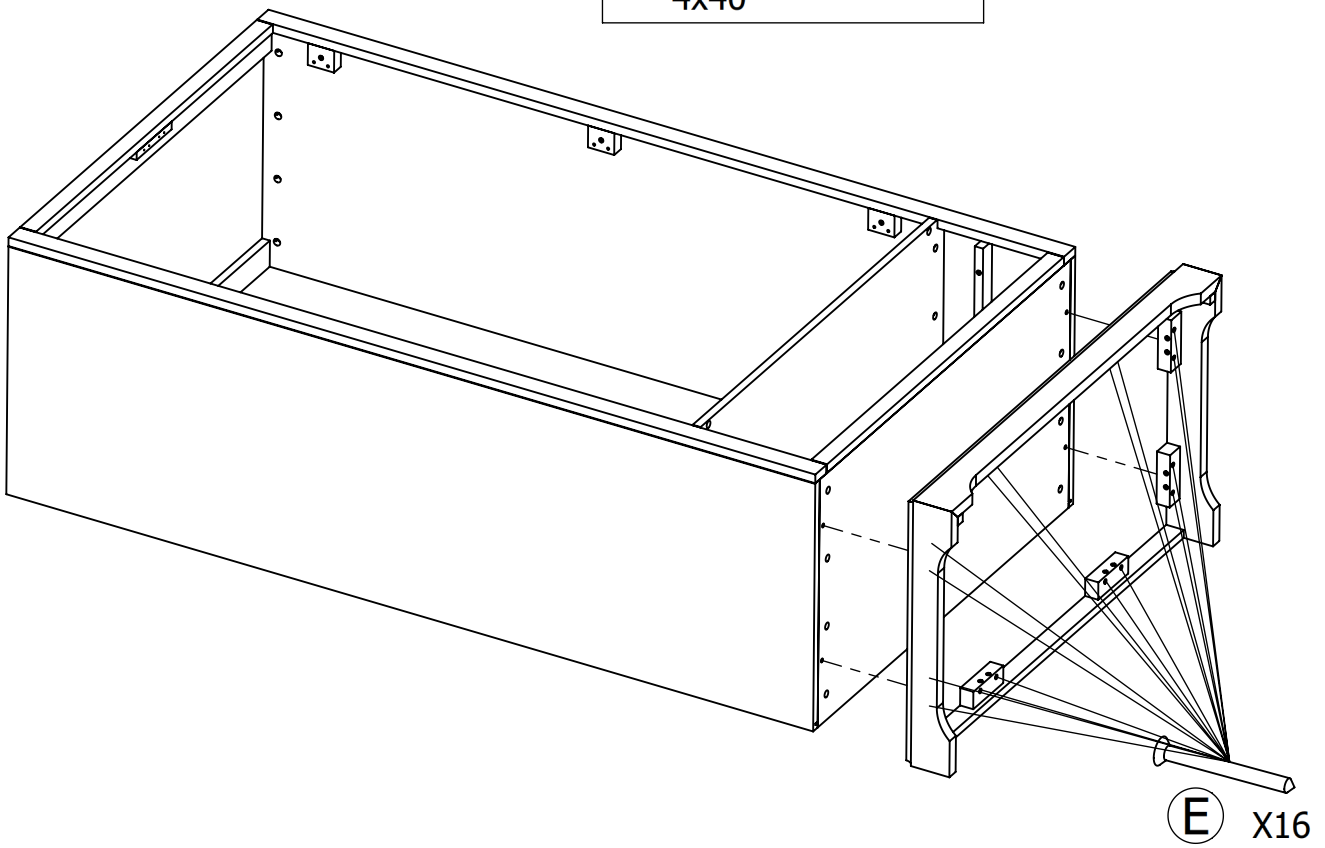


STEP 18



4x40

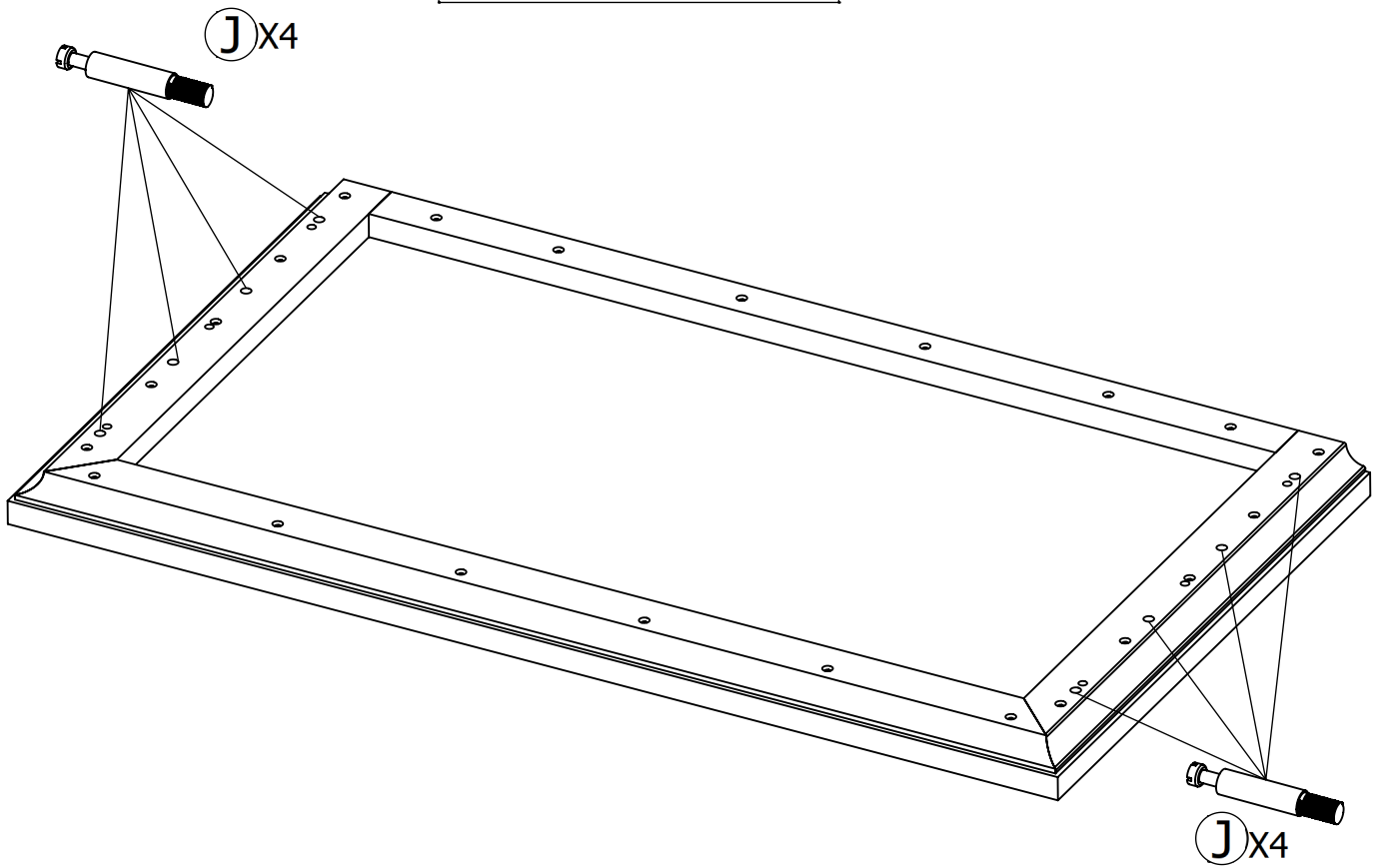
ⓔ X16





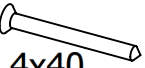

STEP 19

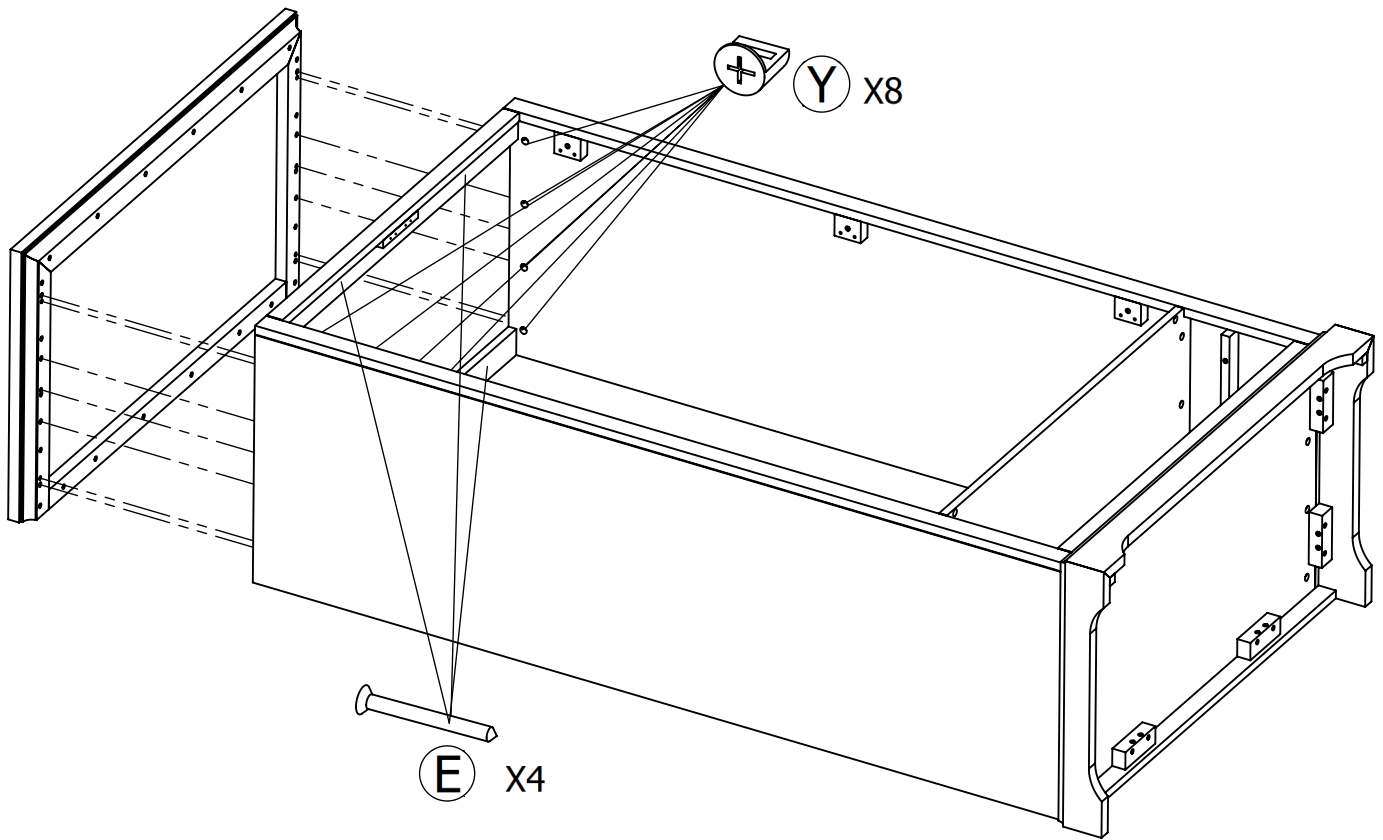


ⓙ X8

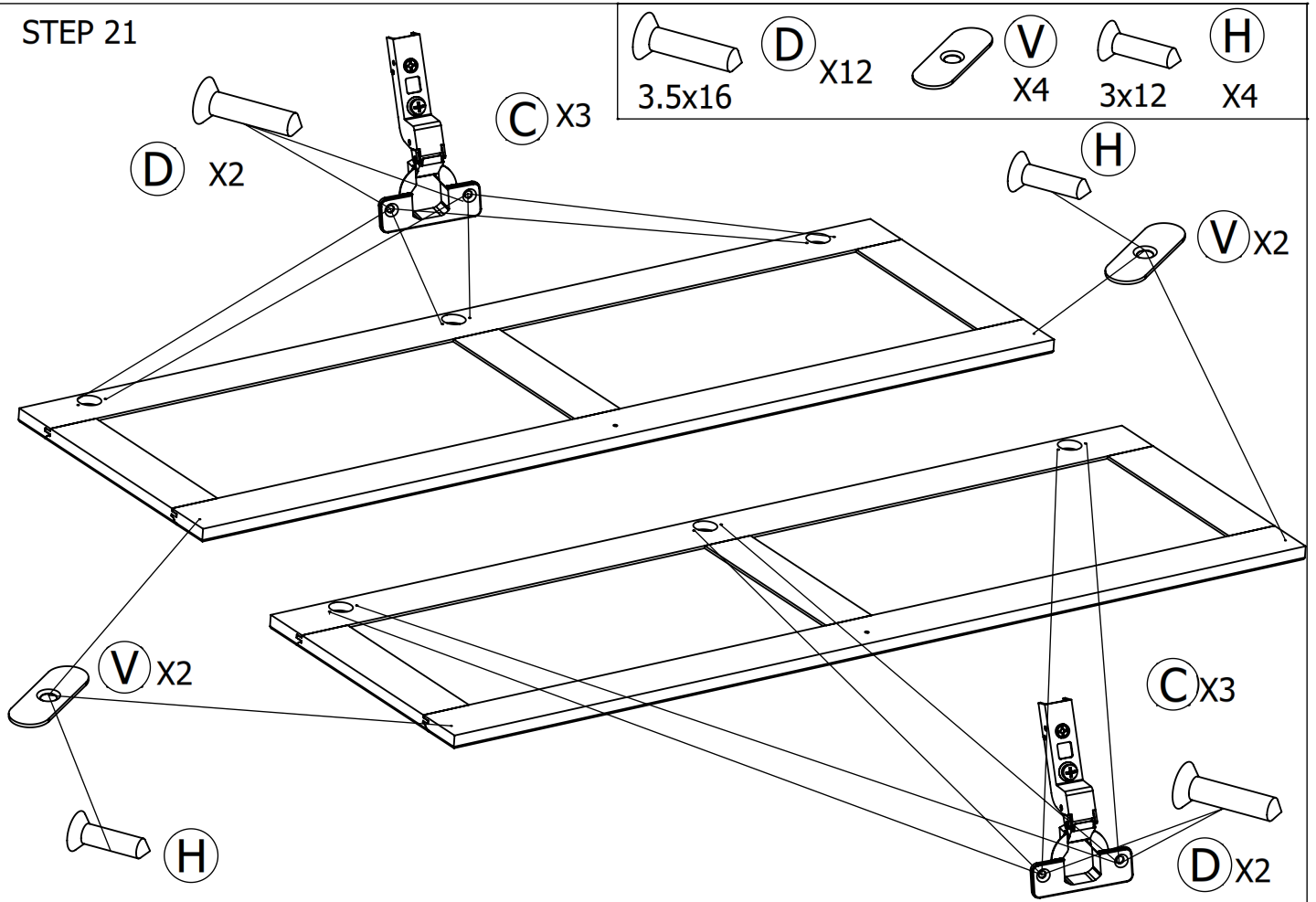


STEP 20

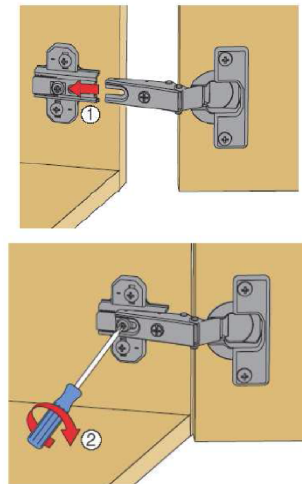
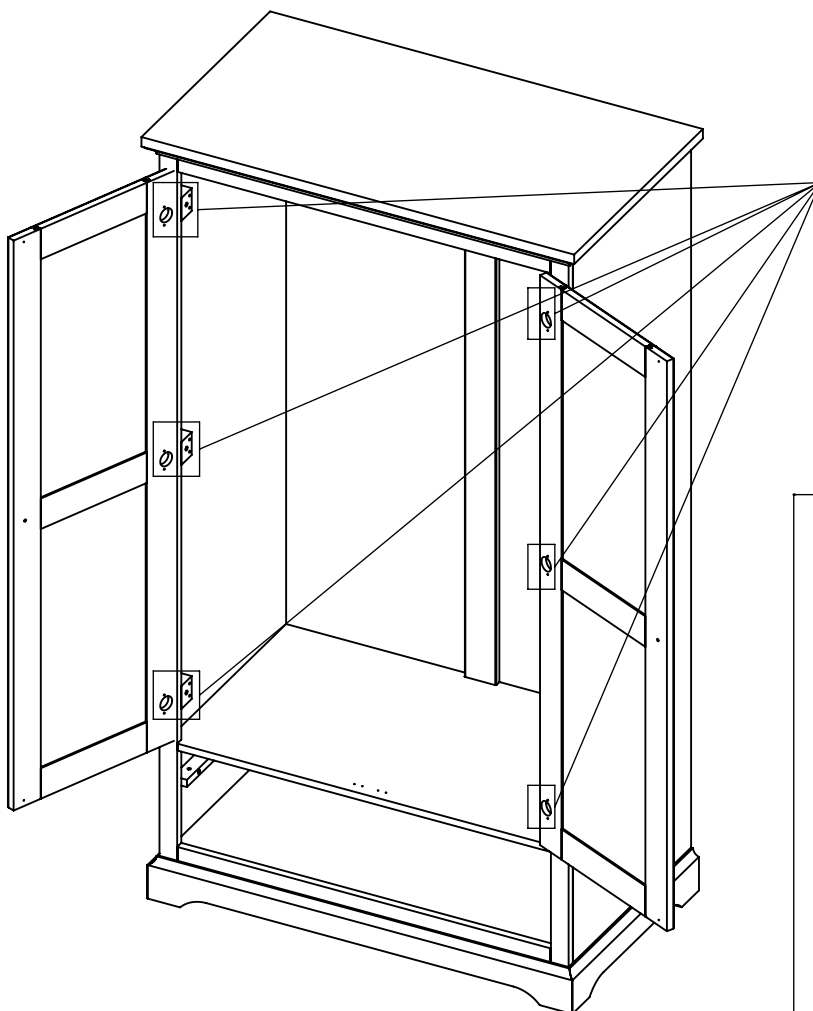
  X8  4x40  X4



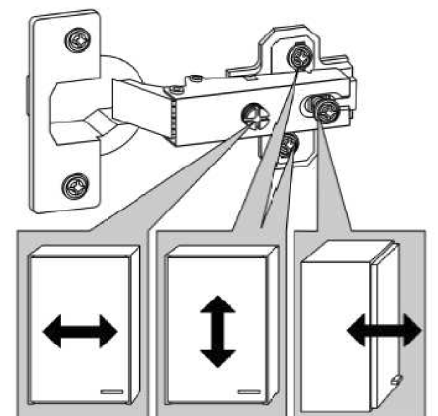
STEP 21



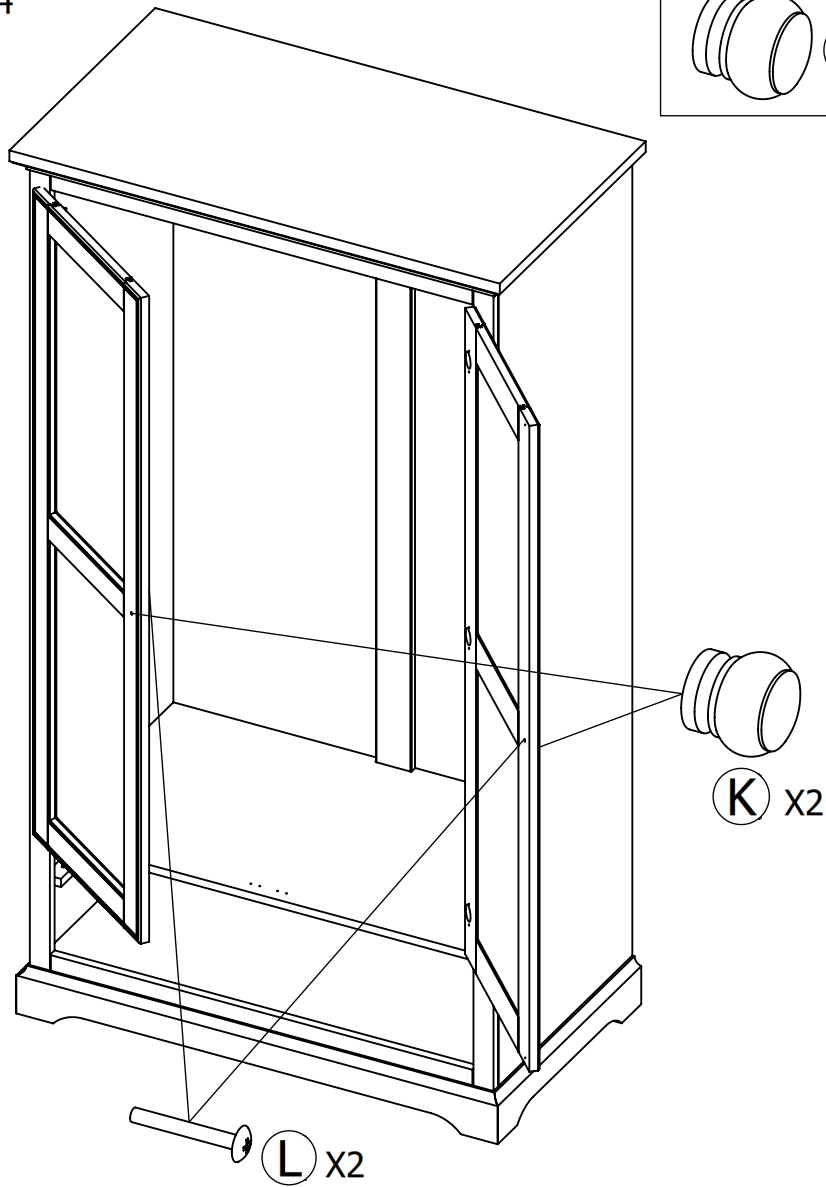
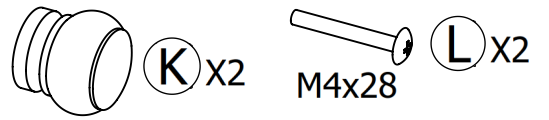
STEP 22



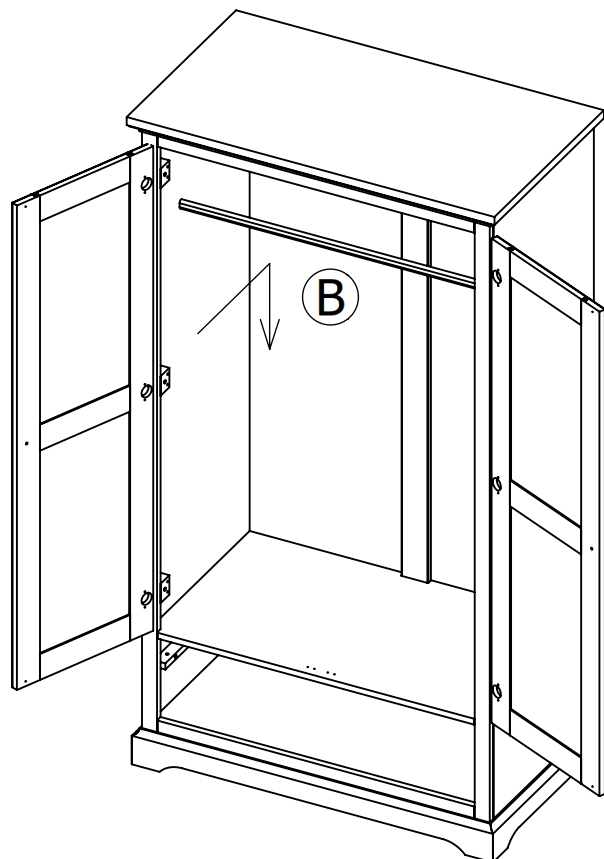
STEP 23



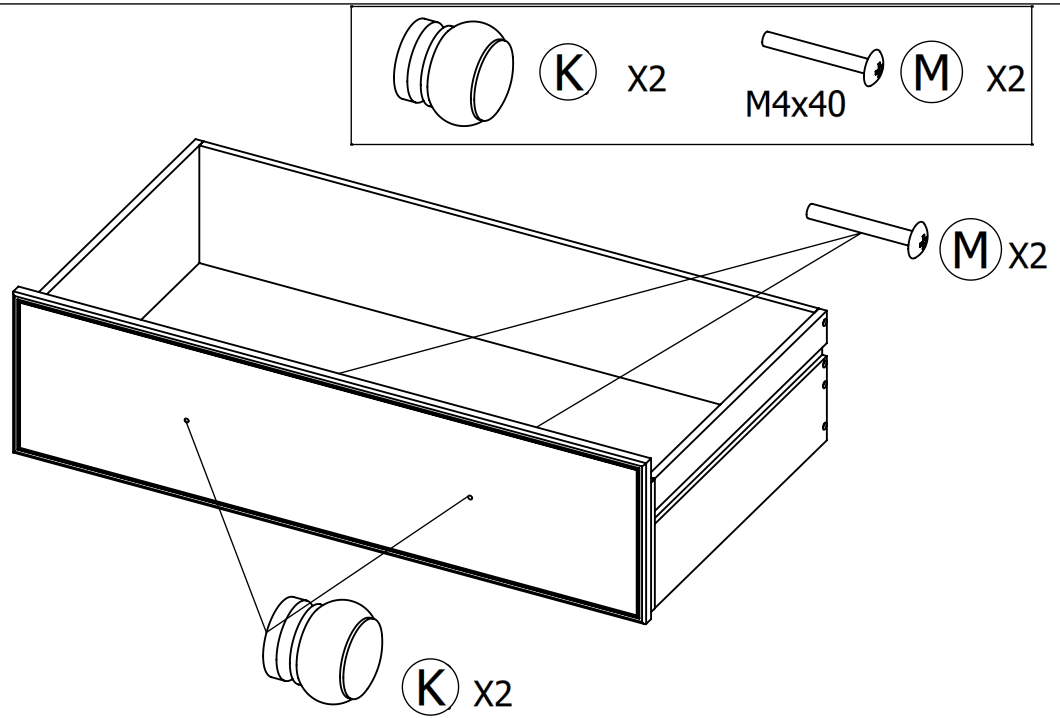
STEP 24



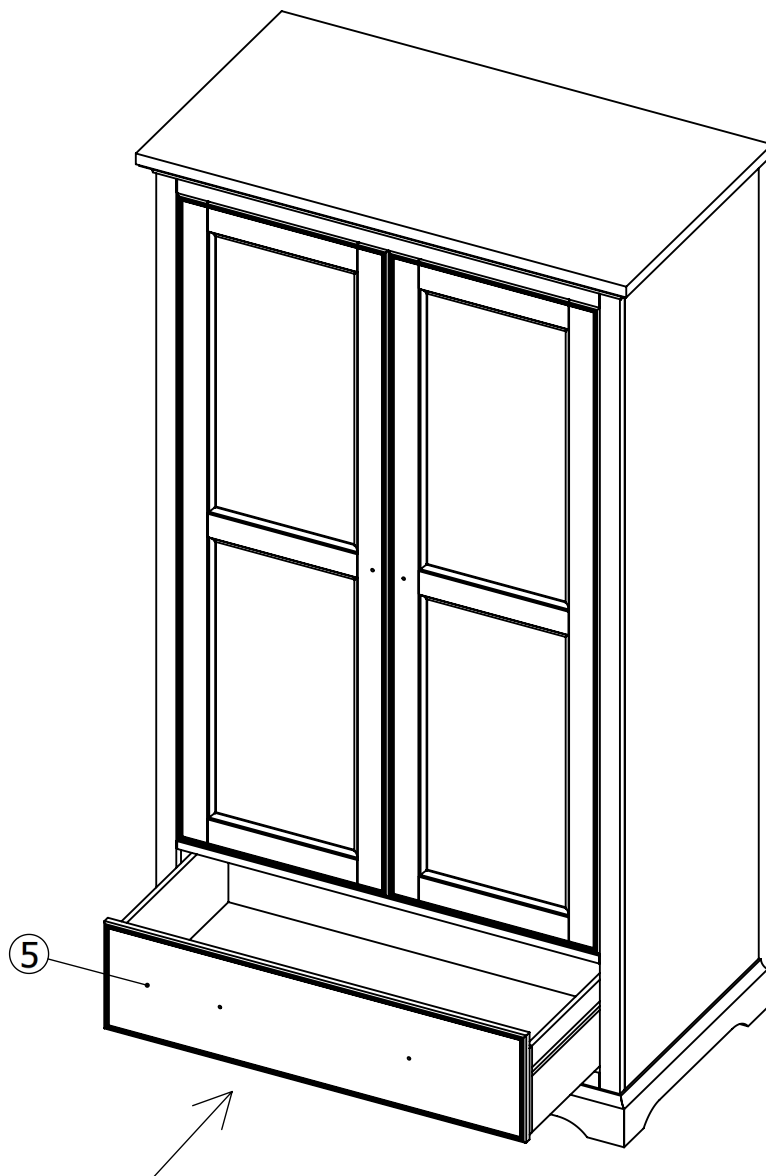
STEP 25



STEP 26



STEP 27

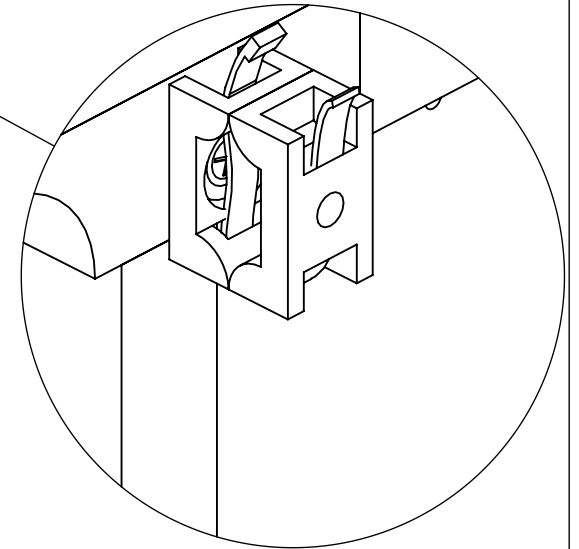
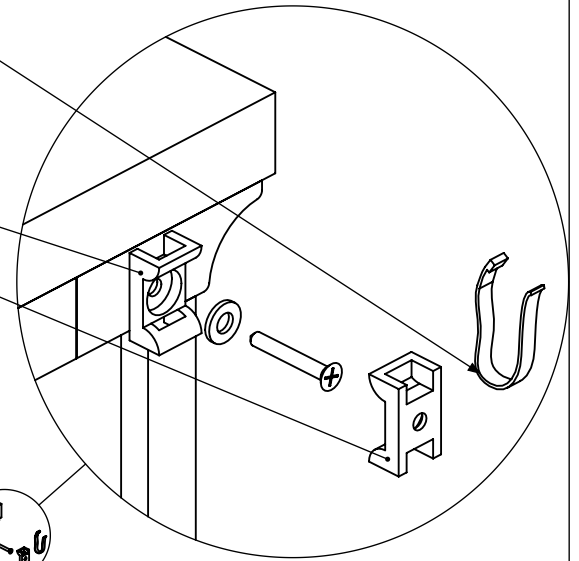
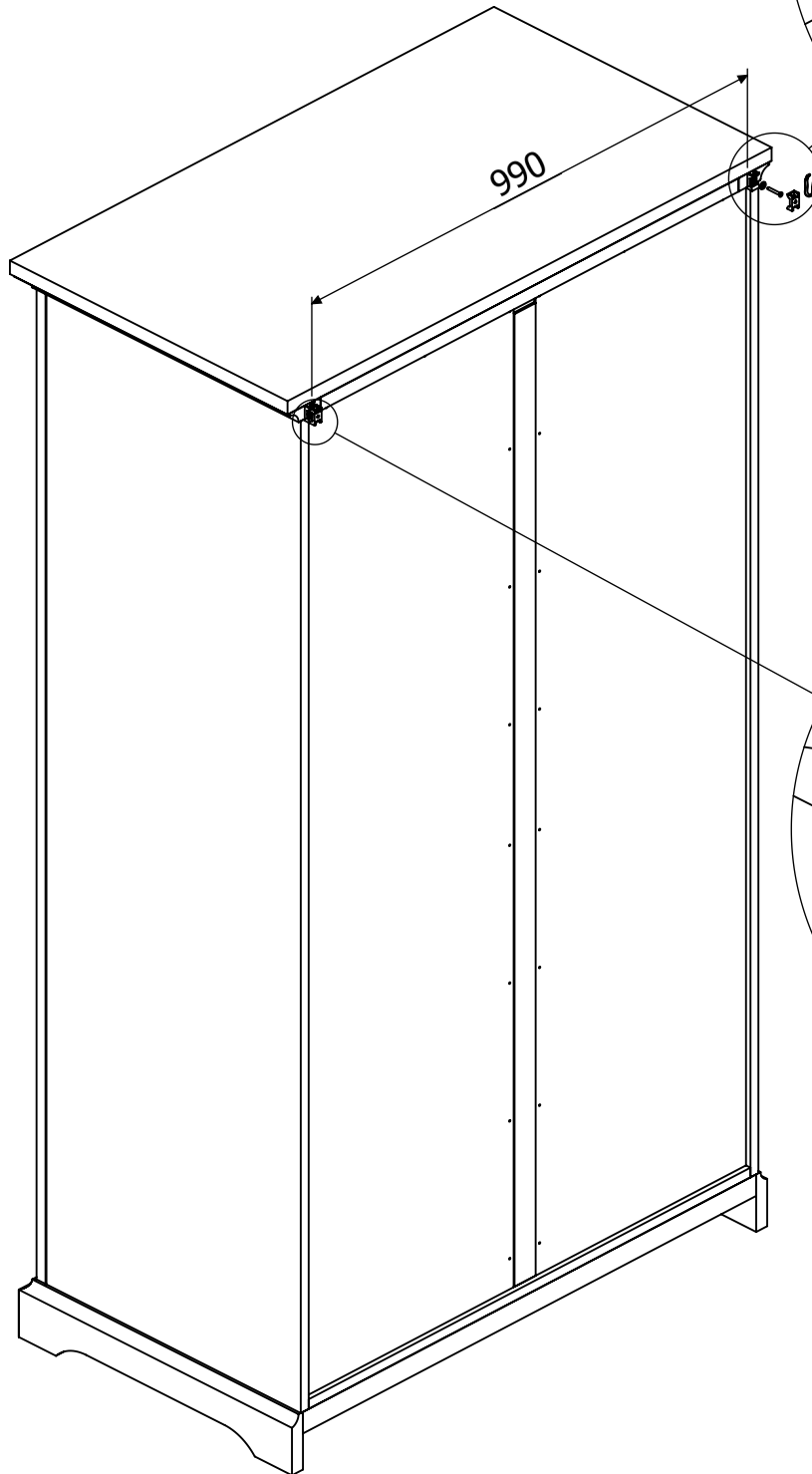


STEP 28

3 Step. Push the unit to the wall so that the plastic blocks touches to each other. Put the supplied plastic string through the holes in both plastic blocks and fasten to secure.

1 Step: Attach one plastic block to the back of the unit. Use U screw.

2 Step. Attach the other plastic block to the wall.



Important - Retain these instructions for future reference