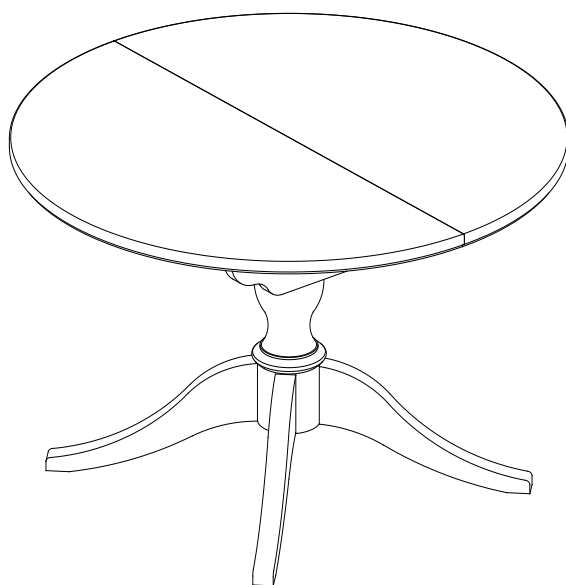




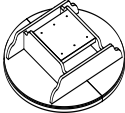
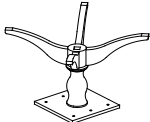


Oakham Round Extending Dining Table



Fittings and Part Check List

Bolts x 6 (1)	Flat washer x 6 (2)	Spring washer x 6 (3)	Allen Key (4)
			
Table Top (A)	Leg Assembly (B)		
			

Step by step assembly instructions

Fig 1

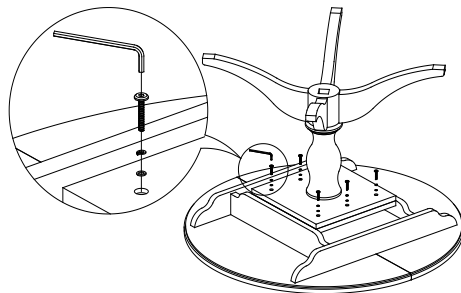
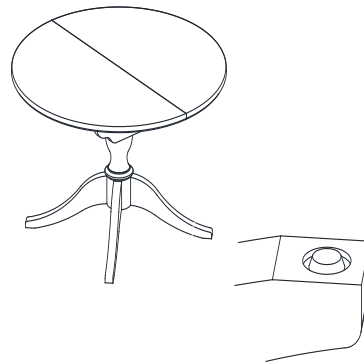


Fig 2



Step . Fig 1

Assembling the Table

- **A minimum of two persons is required to assemble this Table.**
- **With the aid of another person, place Top (A) face down on a protective surface.**
- Place **Leg Assembly (B)** on **Top (A)** and align holes on mounting plates (See Illustration)
- Secure **Leg Assembly (B)** by using **6 x Bolts (1)**, **6 x Flat washers (2)** & **6 x Spring washers (3)**. Insert the bolts through holes in mounting plates, tighten with allen key (4).

Step 2. Fig 2.

Levelling The Table

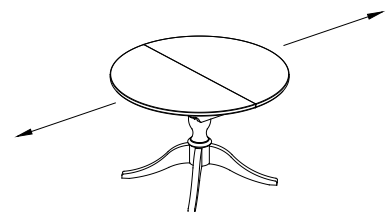
- **With the aid of another person.** Carefully turn the table upright onto its legs.
- There are small round adjusters located on each foot.
- To ensure the table does not rock and is level, make adjustment on each foot until the table is firm and level. (See Illustration)

Safe Operation of the Centre Leaf

Fig 1

- I. Release the table catches (located underside of the table top)
Open the table leaves fully.

Two people are required to operate the table. Pulling the table top open from one end may damage the rails.



Safe operation of Centre leaf continued:

Fig 2

2. Standing at the side of the table, where the Centre leaf catches are located, lift the Centre leaves (A). Ensure you grip the leaves as in (B). Lift them towards you, until they rest in position. (C)

Caution, Centre Leaves Heavy. Please ensure your fingers do not become trapped between the leaves and table runners.

Fig 2

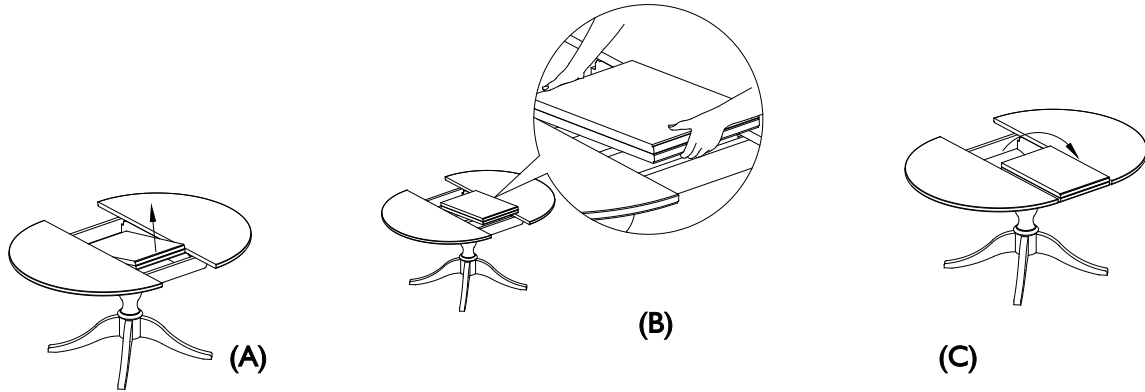


Fig 3

3. From the opposite side of the table, lift the top Centre leaf towards you, until it rests in position.

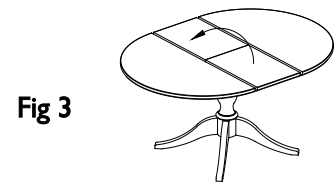


Fig 3

Fig 4

4. Slide the outer leaves, until they connect with the Centre leaves.

Two people are required to operate the table. Pulling the table top open from one end may damage the rails.

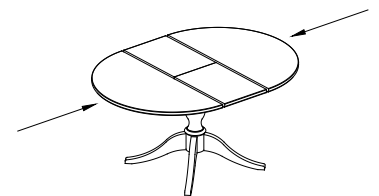


Fig 4

Fig 5

5. Lock all leaves together, using the 4 table catches; on the underside of table top

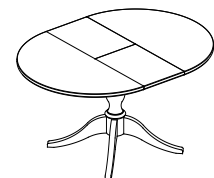


Fig 5

Important - Retain these instructions for future reference.