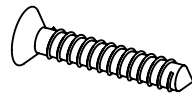
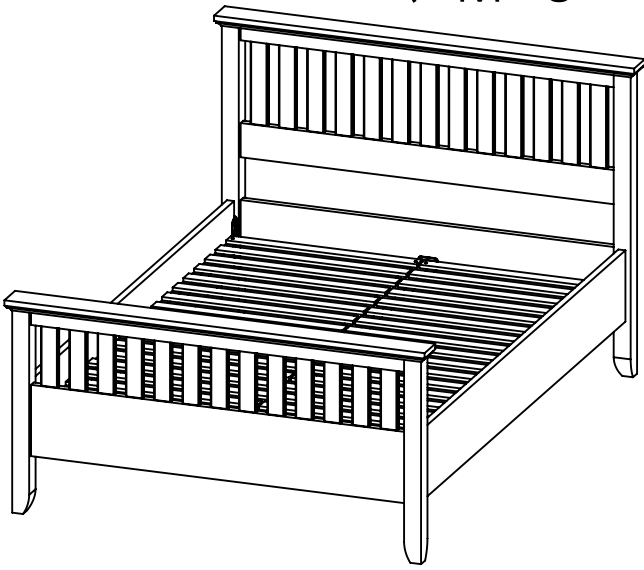
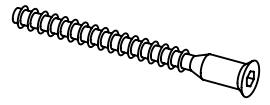


\ ° M ° U " -)



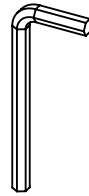
⊕



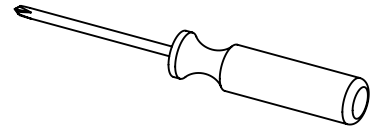
⊕



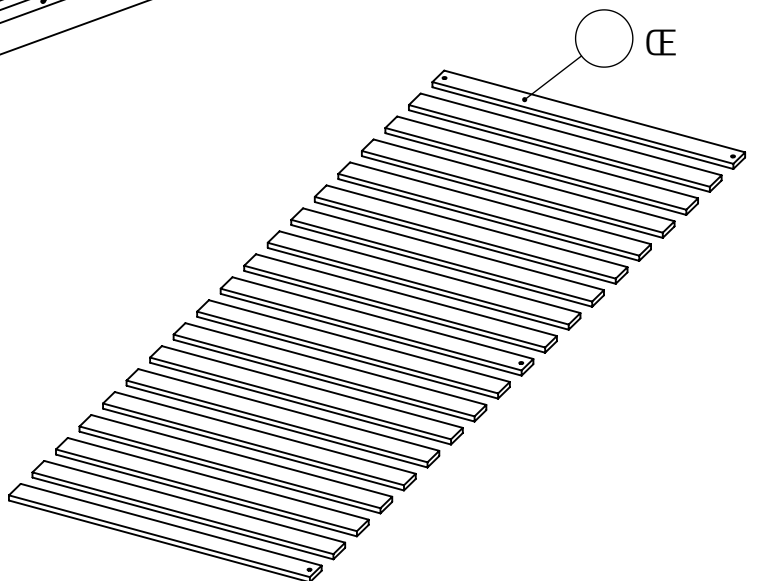
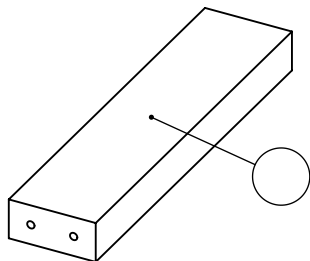
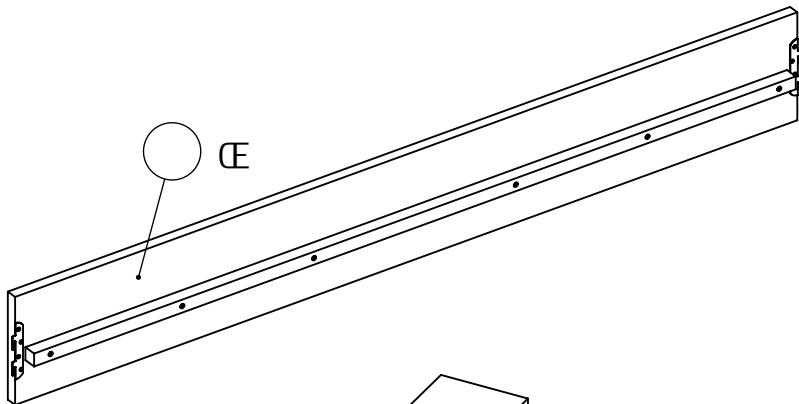
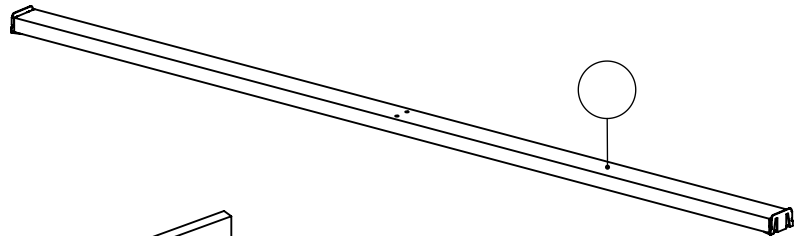
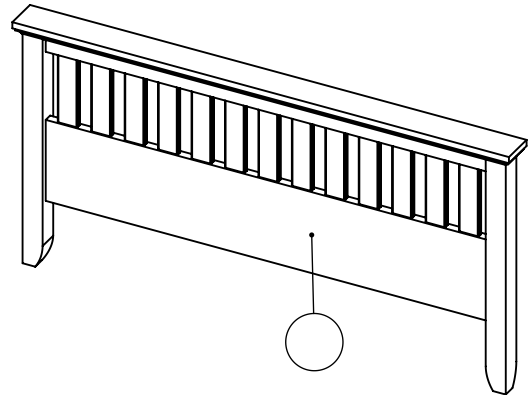
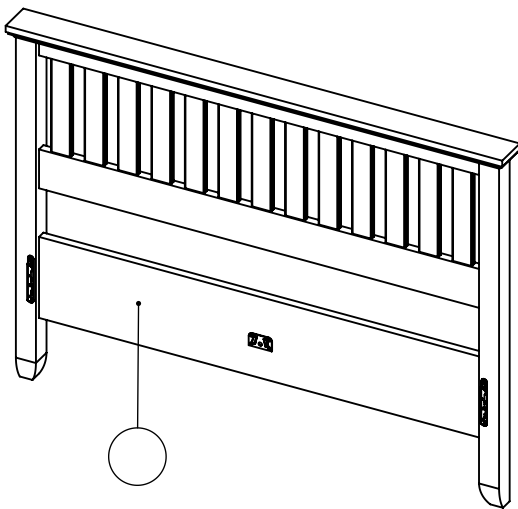
⊕



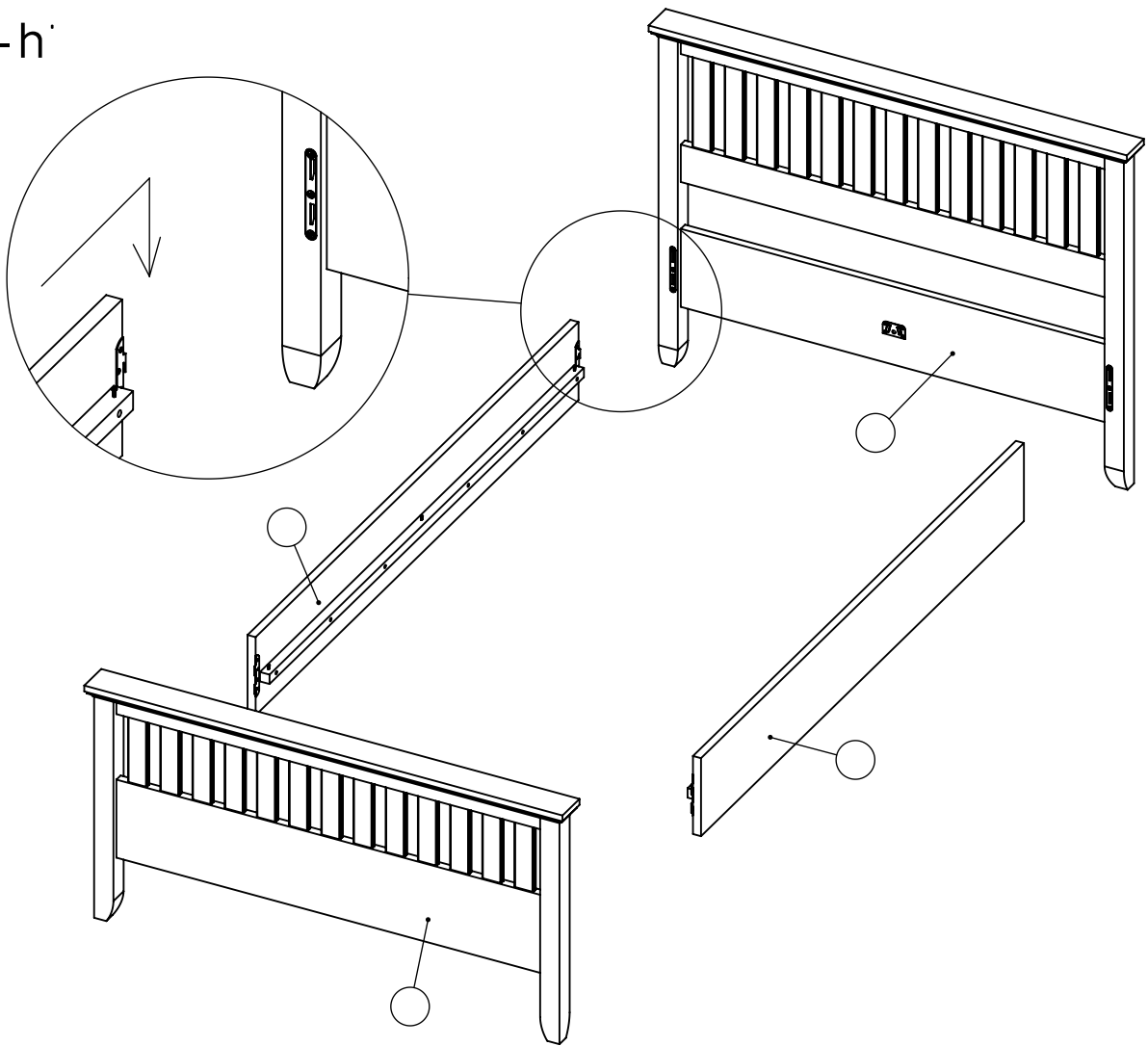
#



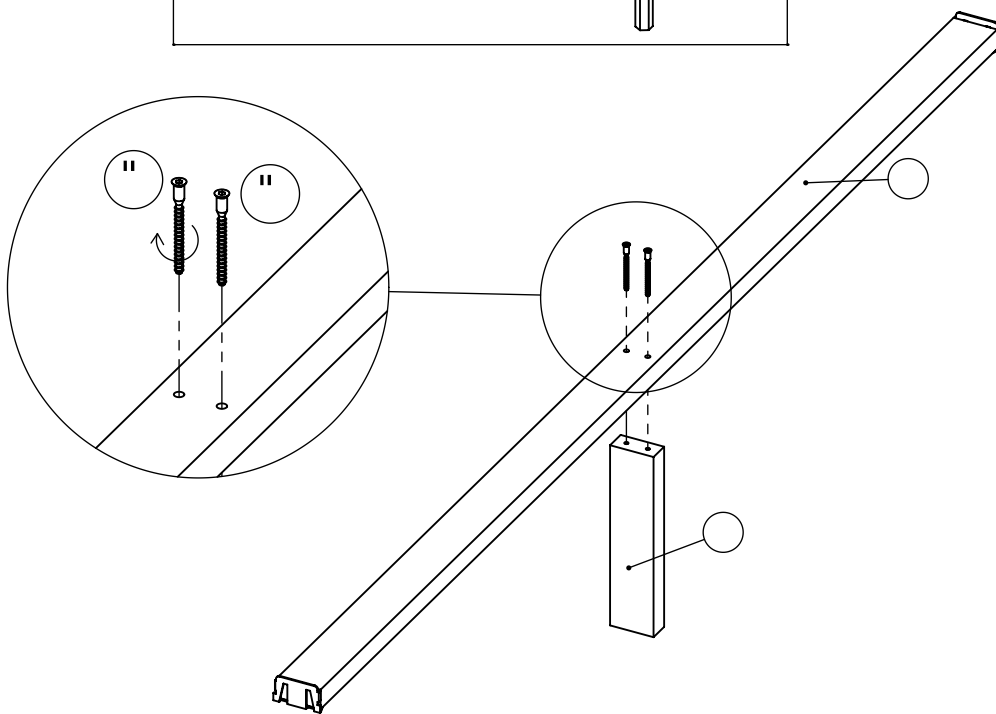
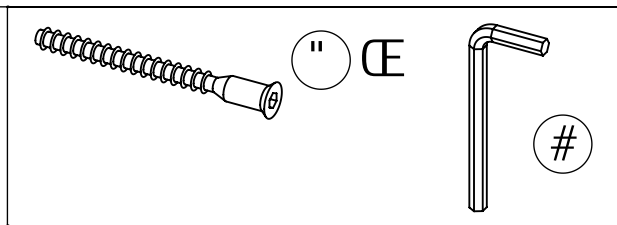
)



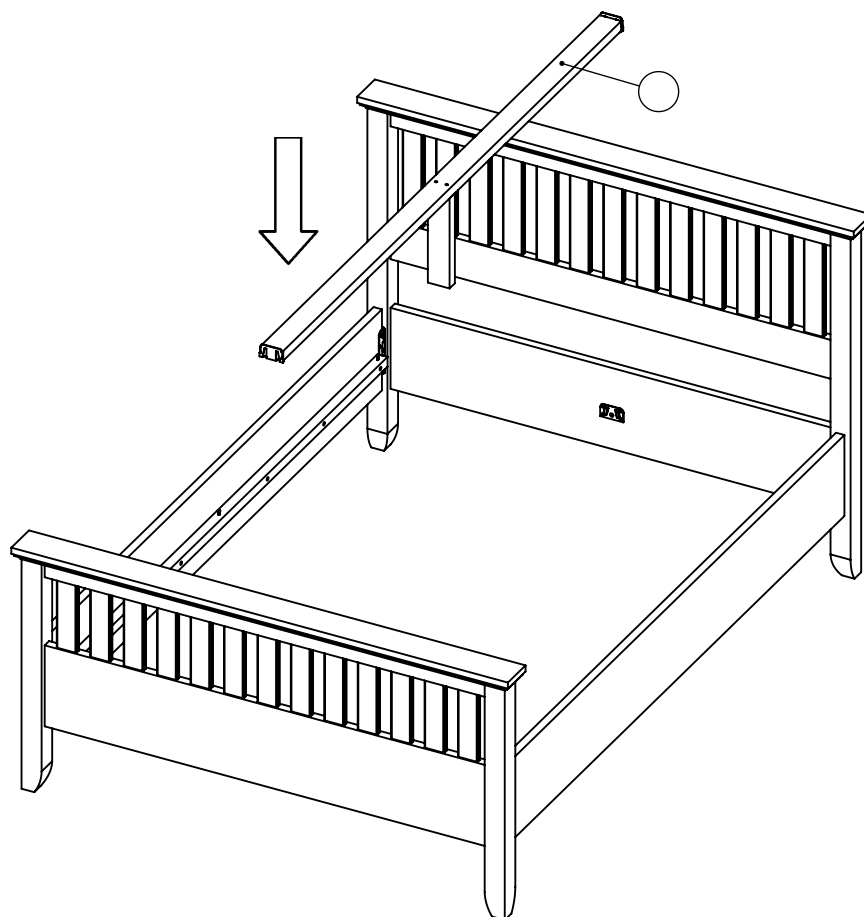
ou-h'



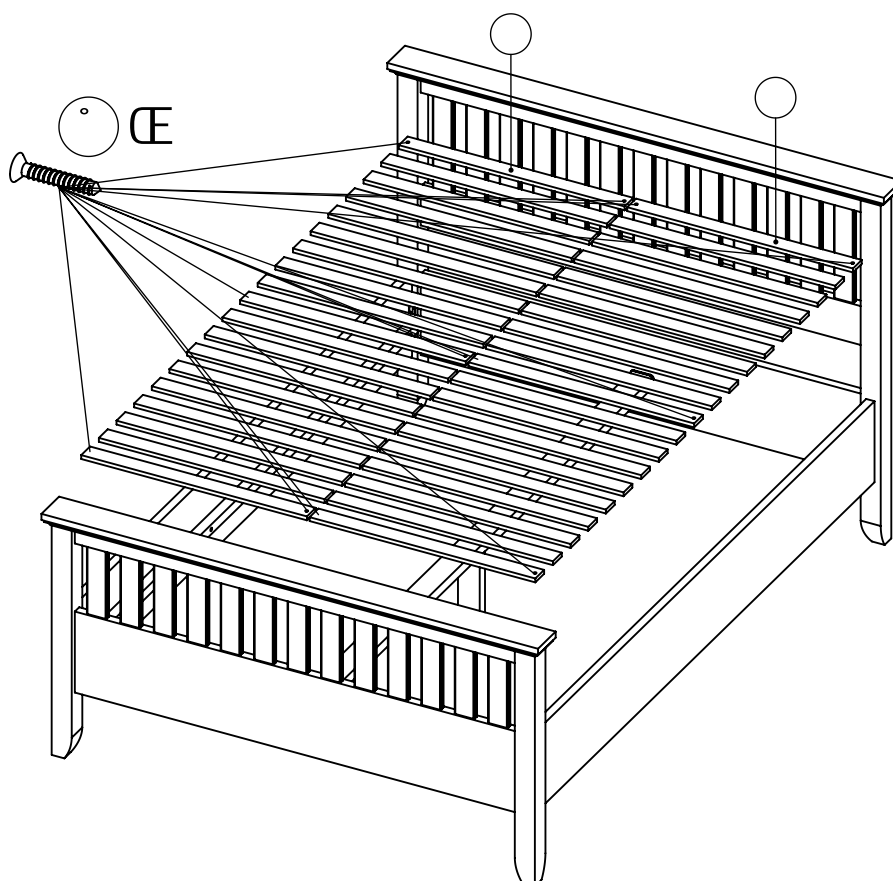
ou-h'



au-h'



au-h'



Ko r qt vpv' / T gckp 'y gug' kput we kpu' hqt ' hwwt g' t ght gpeg