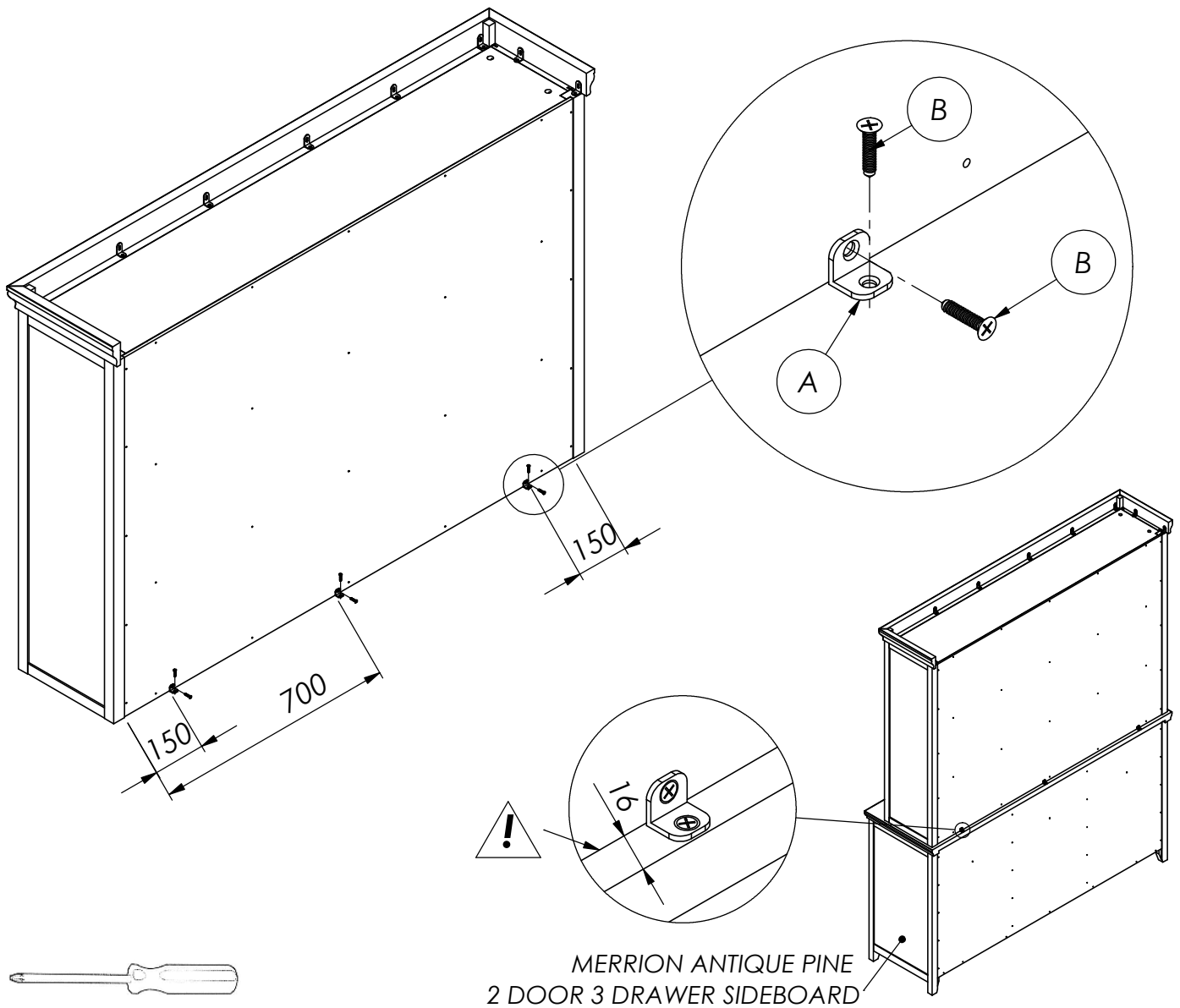
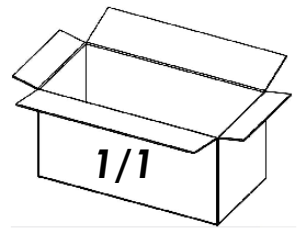
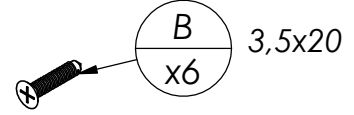
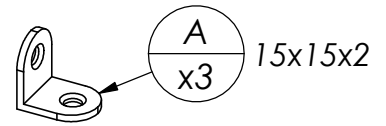
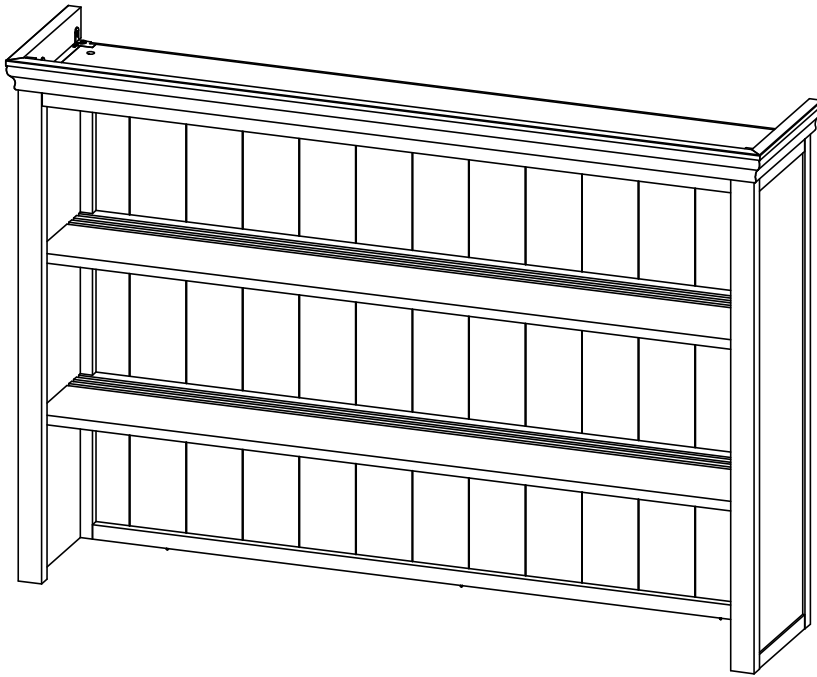
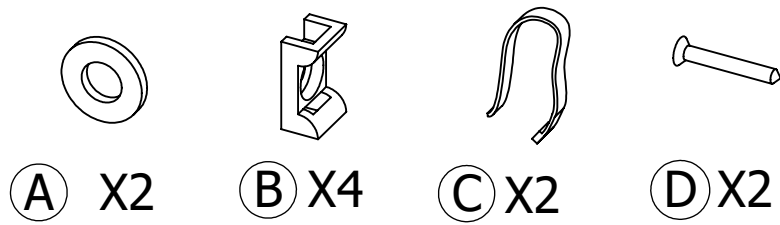


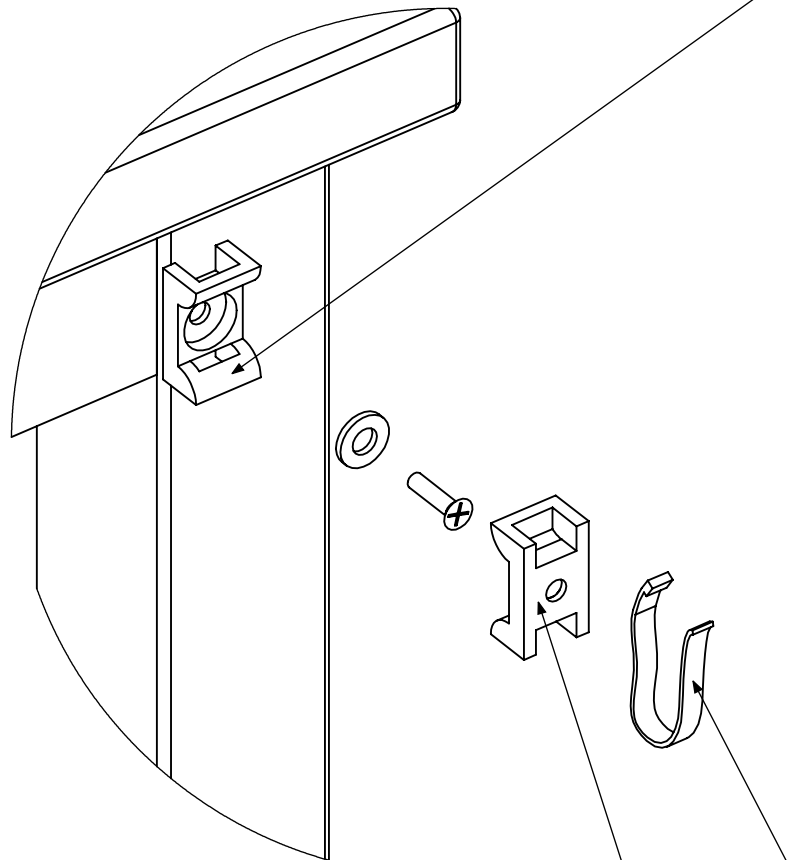
MERRION ANTIQUE PINE DRESSER TOP FOR 2 DOOR 3 DRAWER SIDEBOARD



Important - retain these instructions for future reference



1 Step: Attach one plastic block to the back of the unit.
Use screw D.



2 Step. Attach the 2nd plastic block to the wall.
Own screws required.

3 Step. Push the unit to the wall. Make sure that the plastic
blocks touch each other. Use the supplied plastic string and
push it through the holes in both blocks. Fasten to secure.

NOTE: Plastic blocks must be attached on either side of the unit. Make sure you attach the blocks to the unit first, then measure the distance between the blocks and use the same distance between the blocks when attaching to the wall.