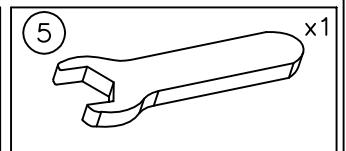
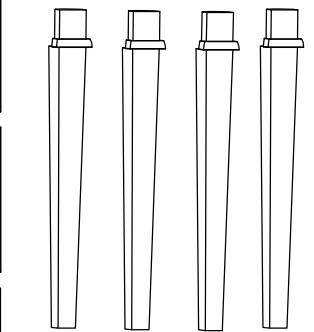
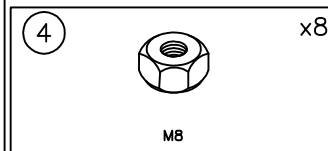
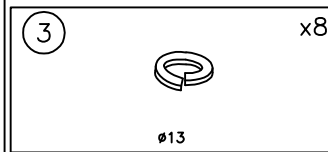
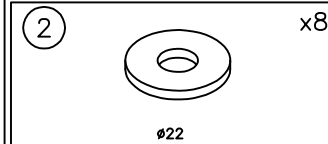
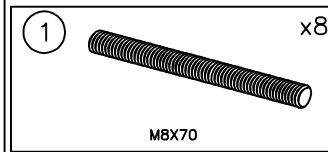
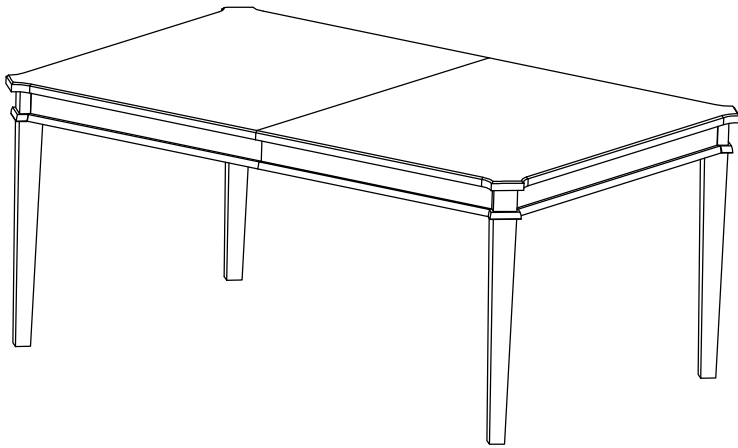
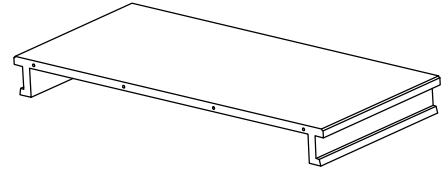
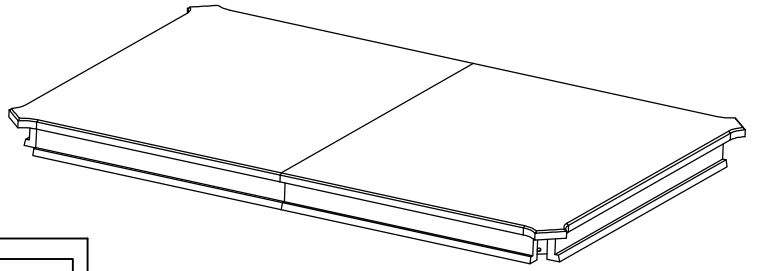
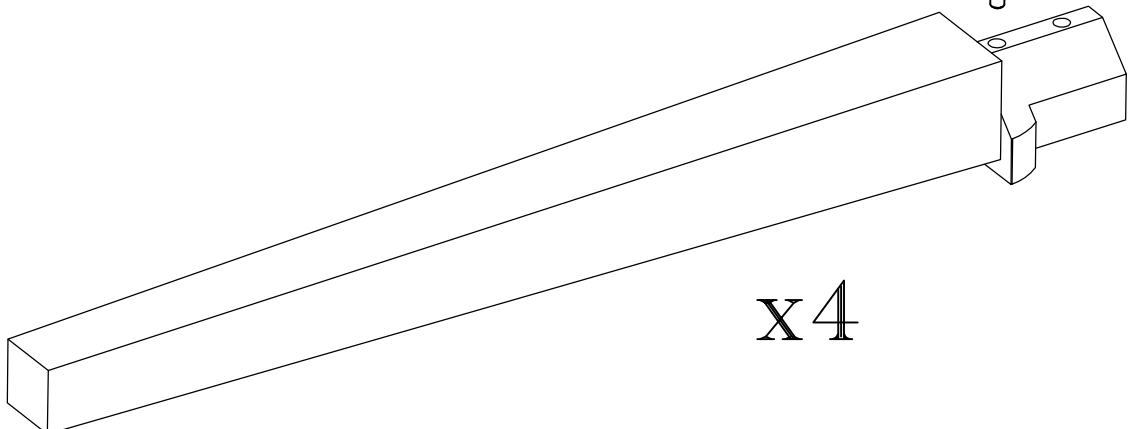
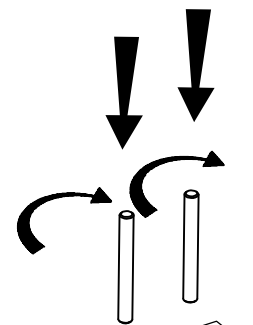
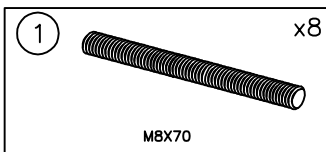


ASSEMBLY INSTRUCTION

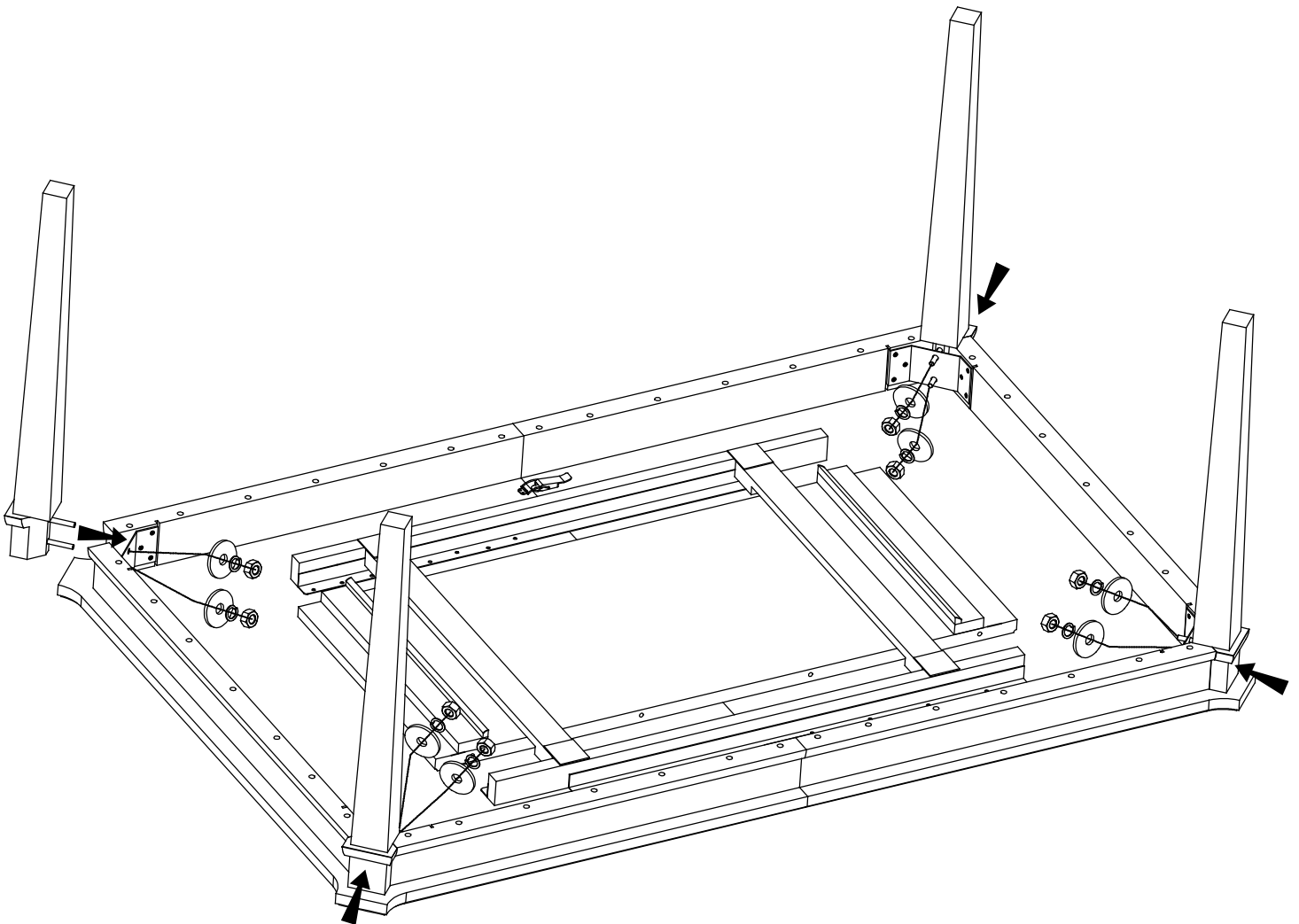
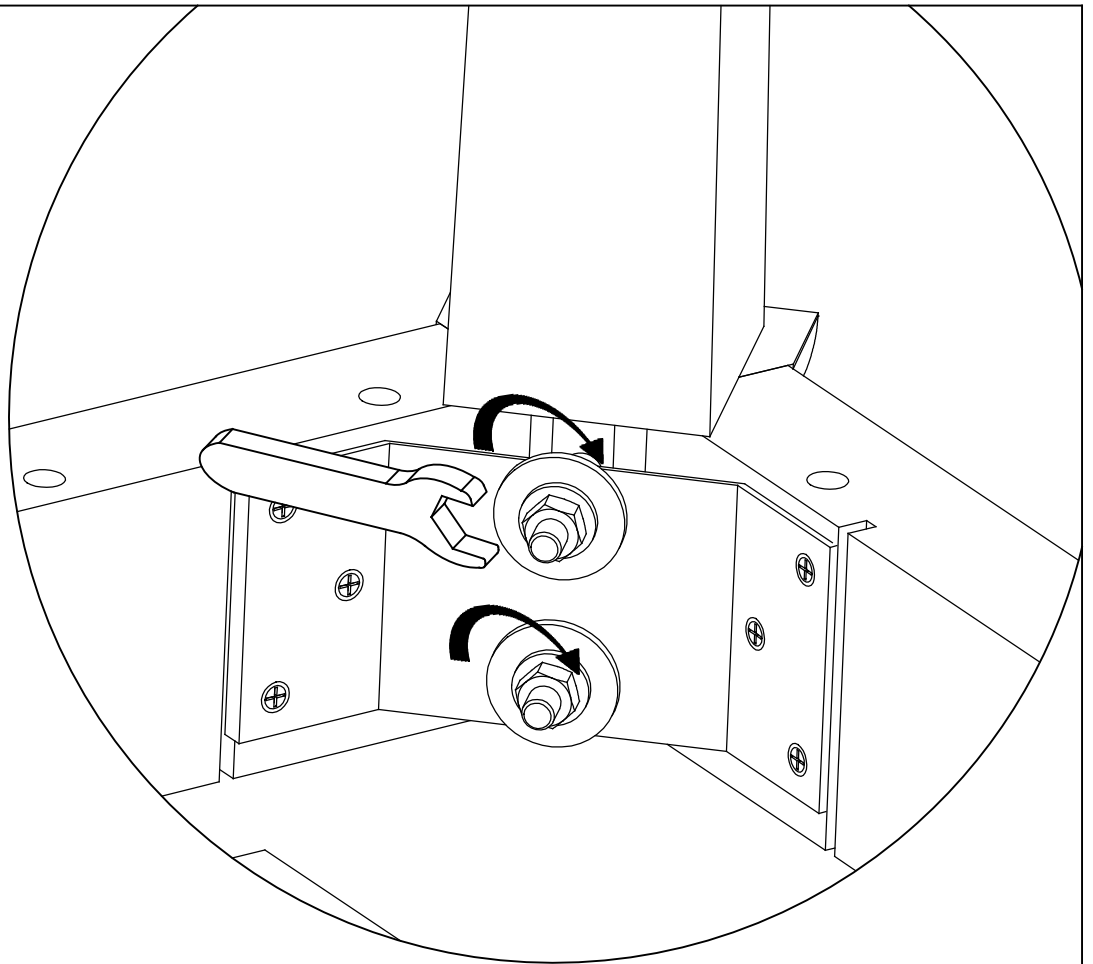
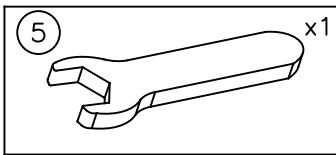
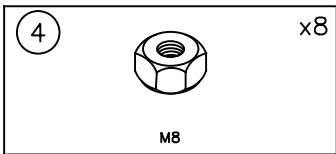
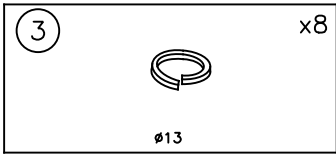
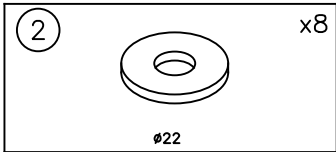
HENSHAW EXTENDING DINING TABLE



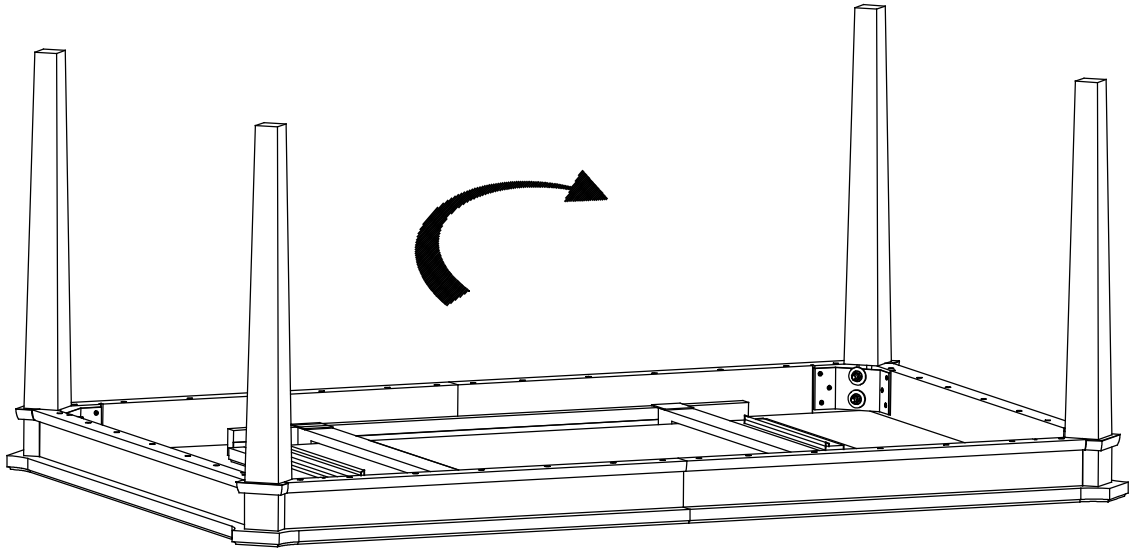
1.



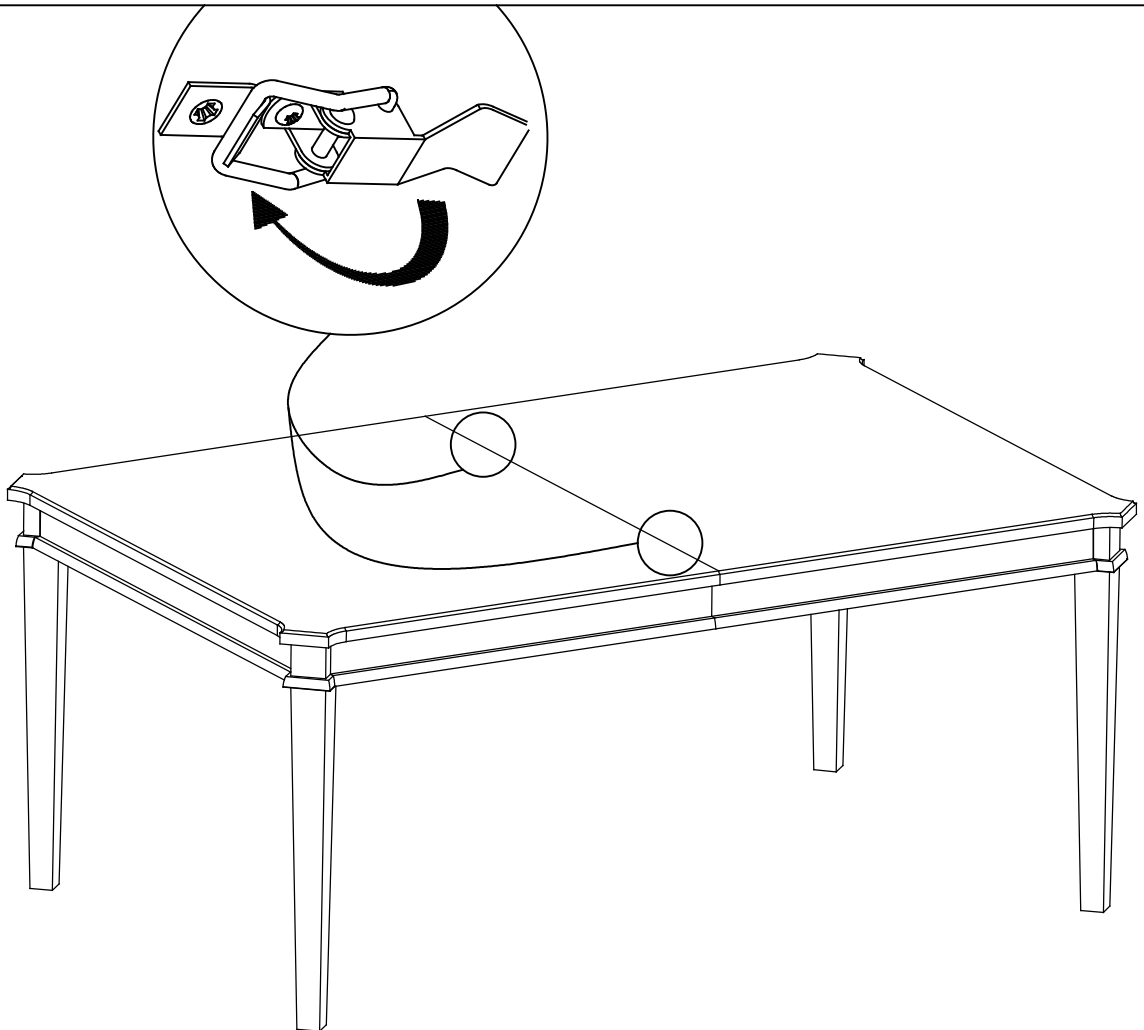
2.



3.



4.



5.

