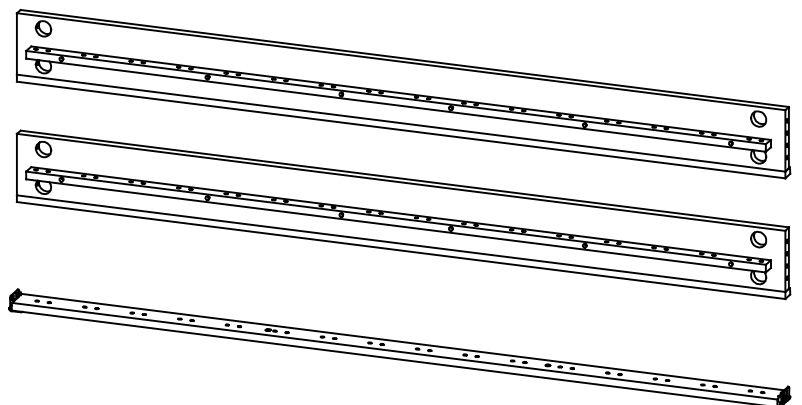
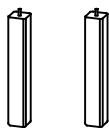
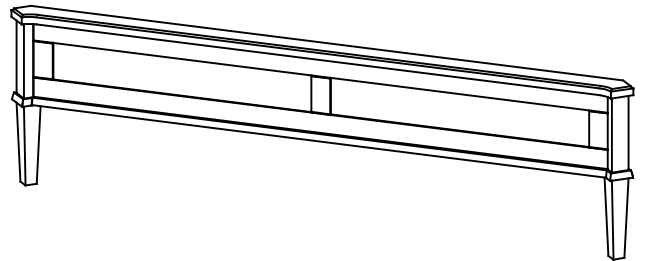
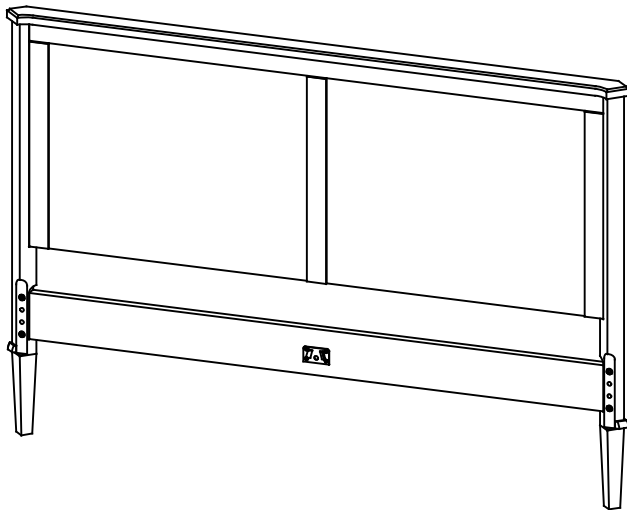
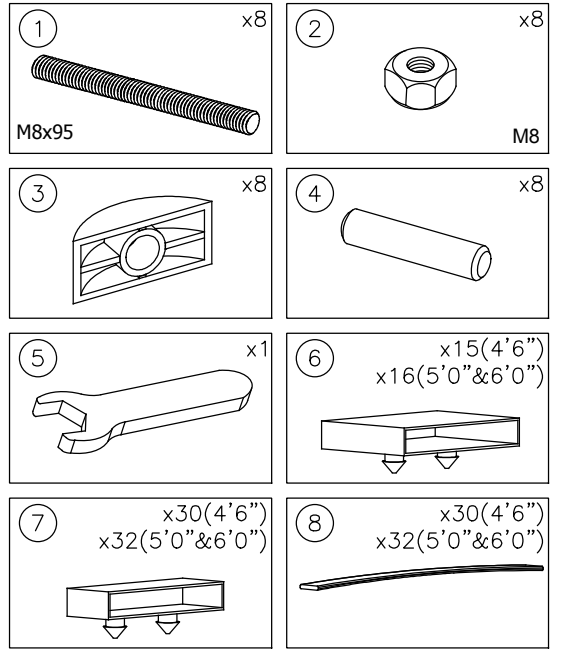
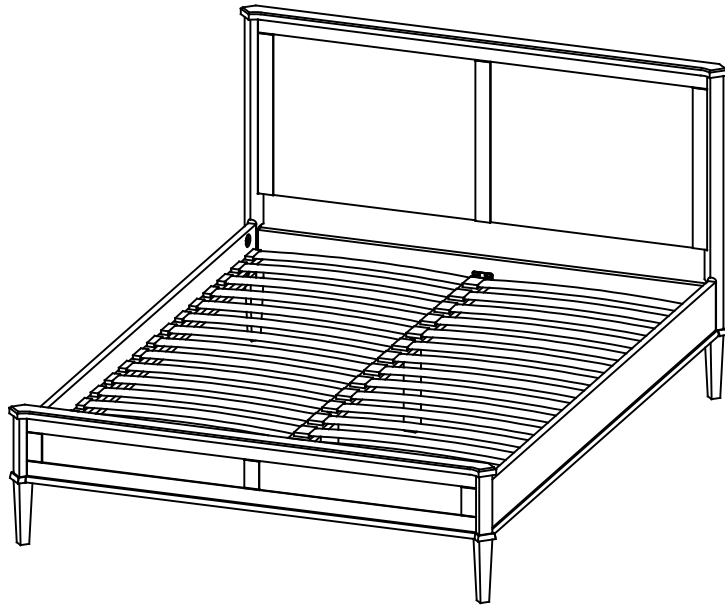
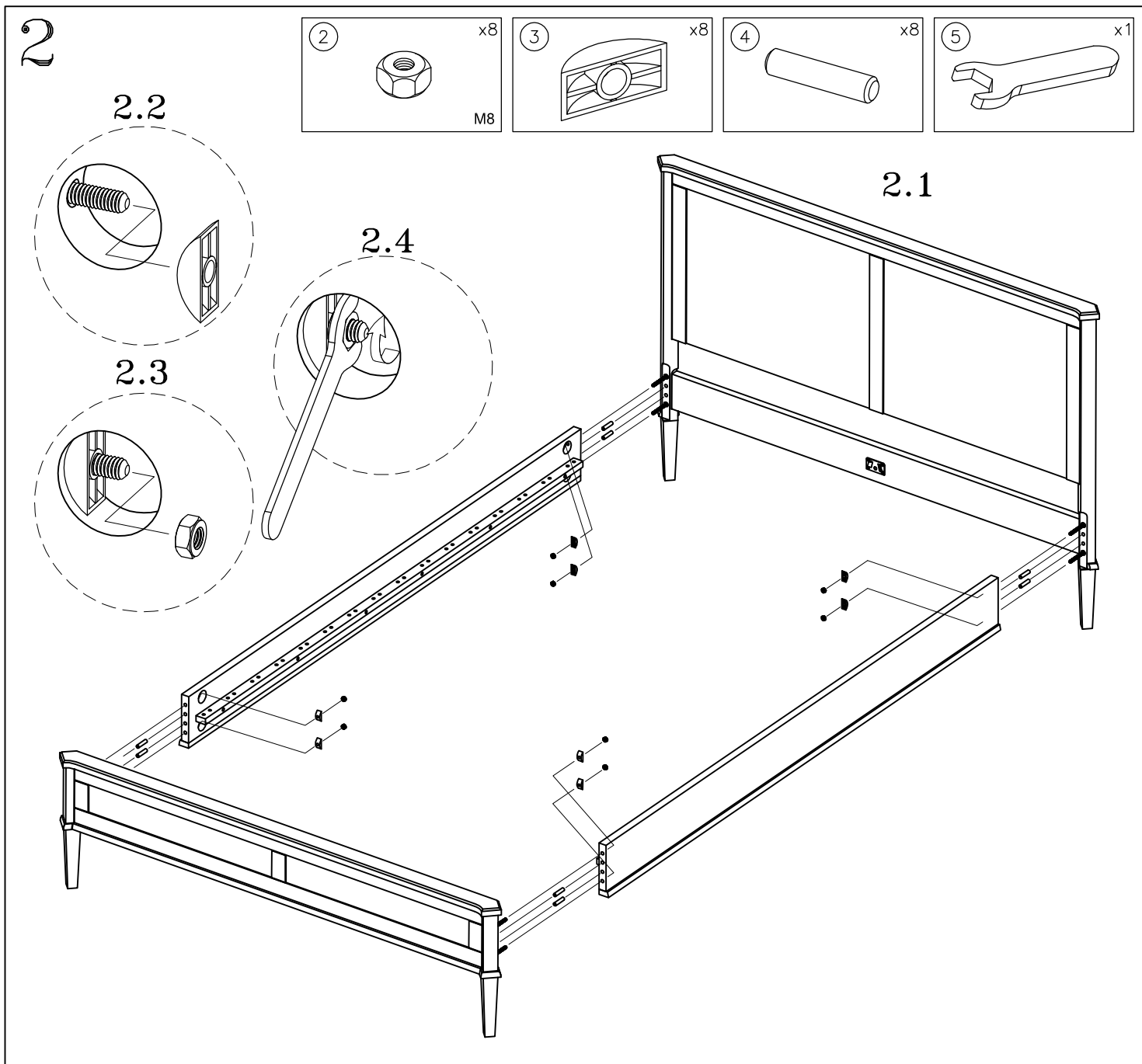
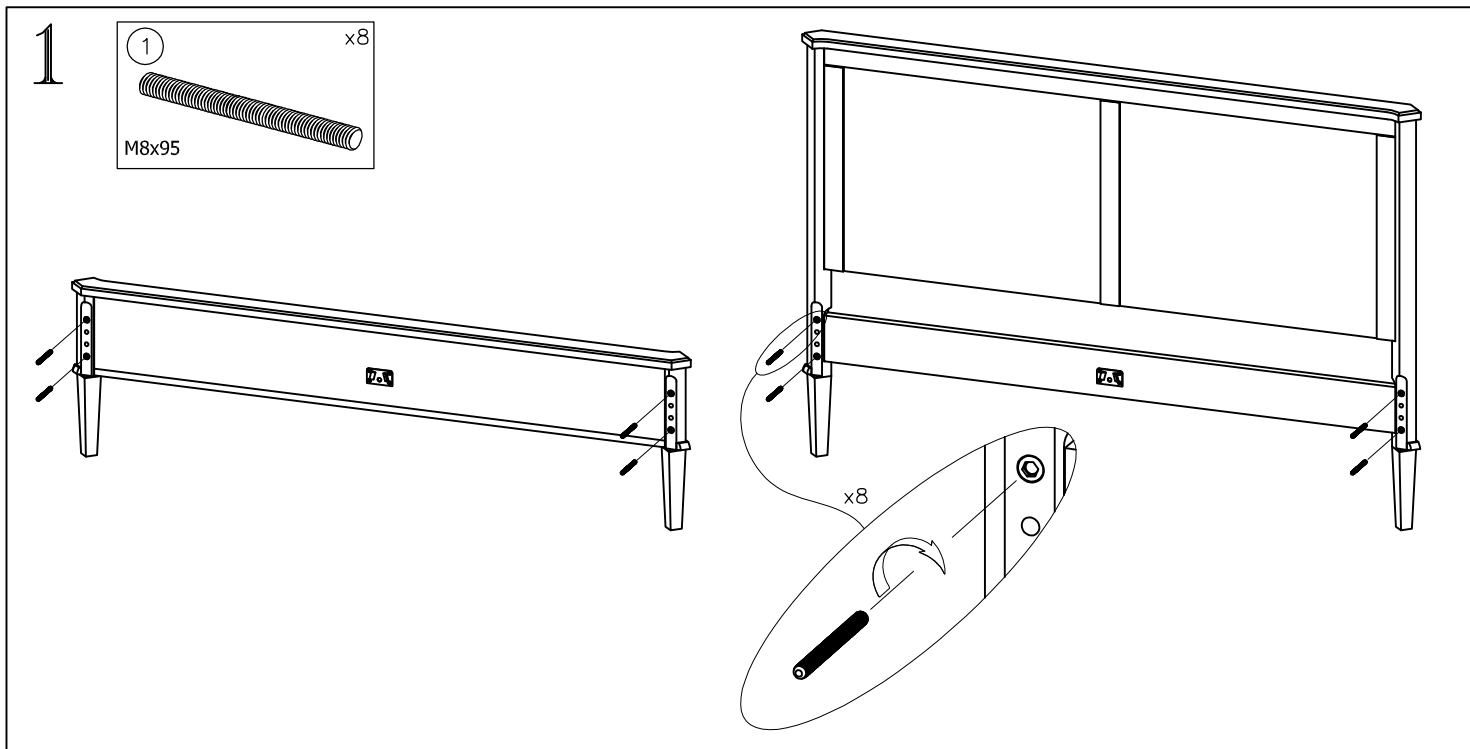


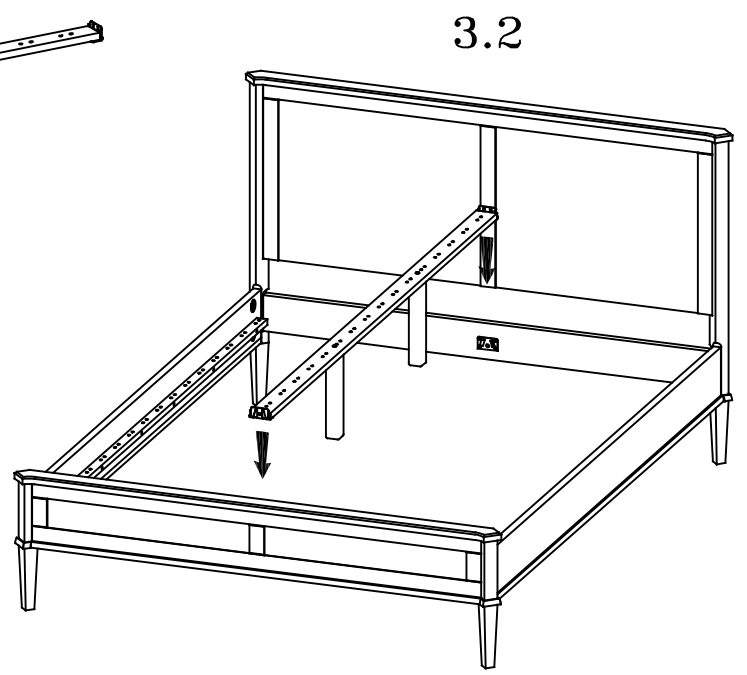
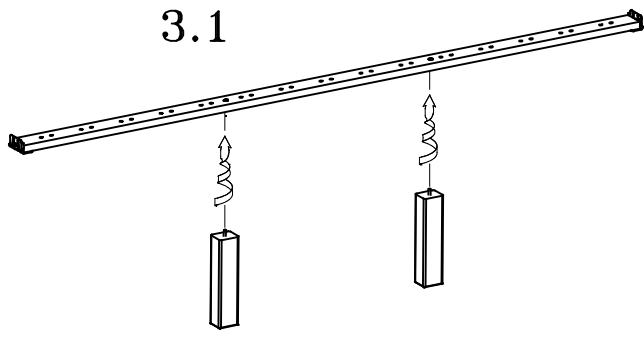
# ASSEMBLY INSTRUCTION

**HENSHAW**  
DOUBLE BED 4'6"  
KING BED 5'0"  
SUPER KING BED 6'0"





3



4

