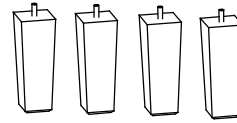
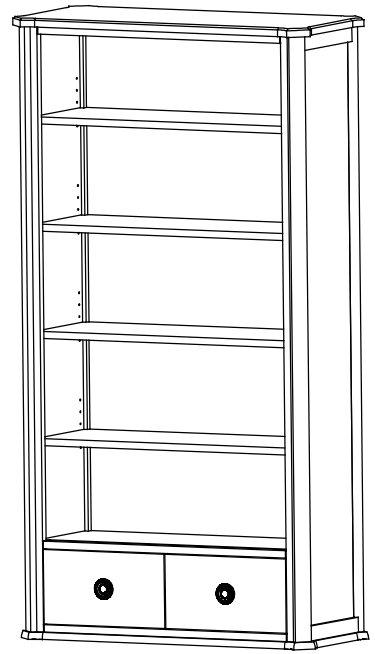
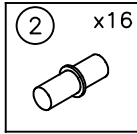
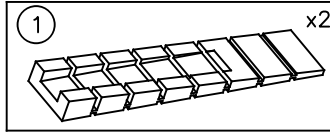
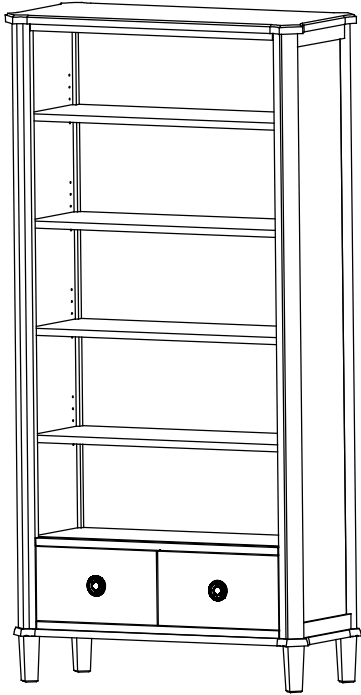
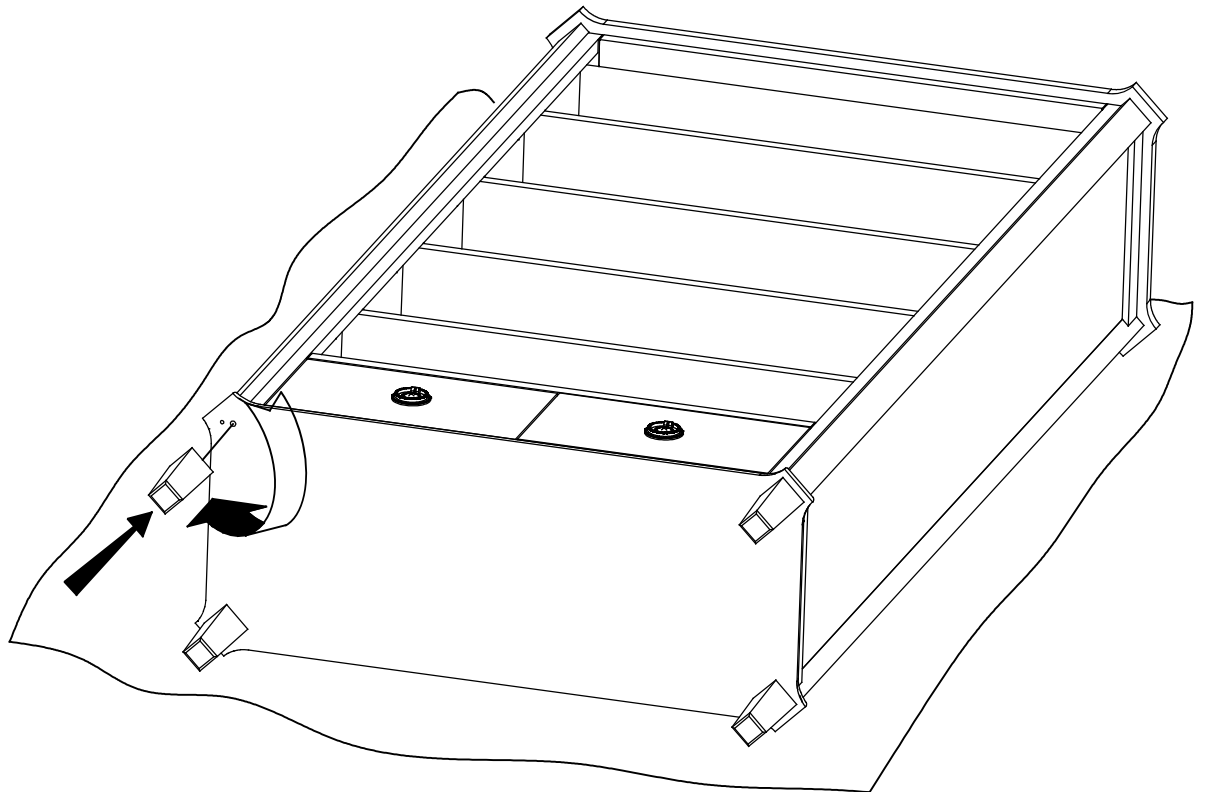
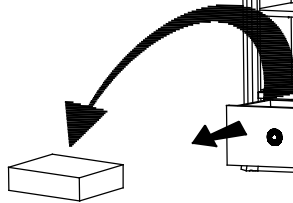


ASSEMBLY INSTRUCTION

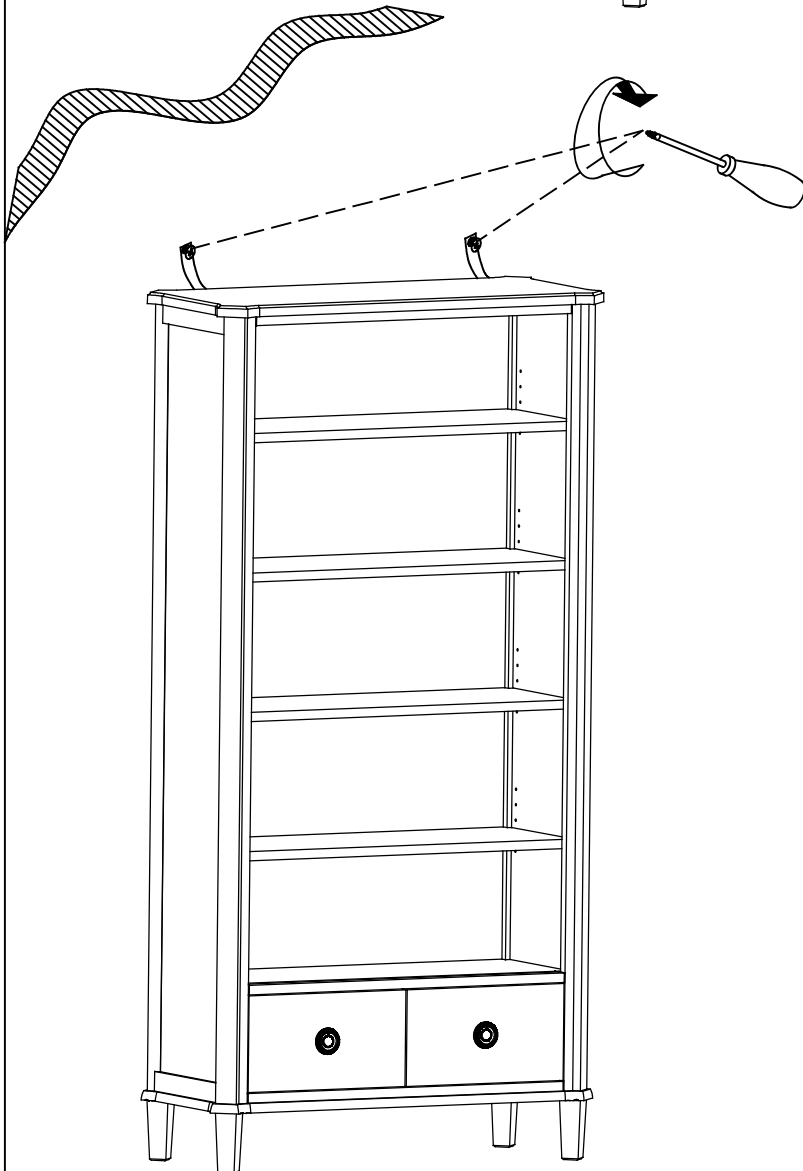
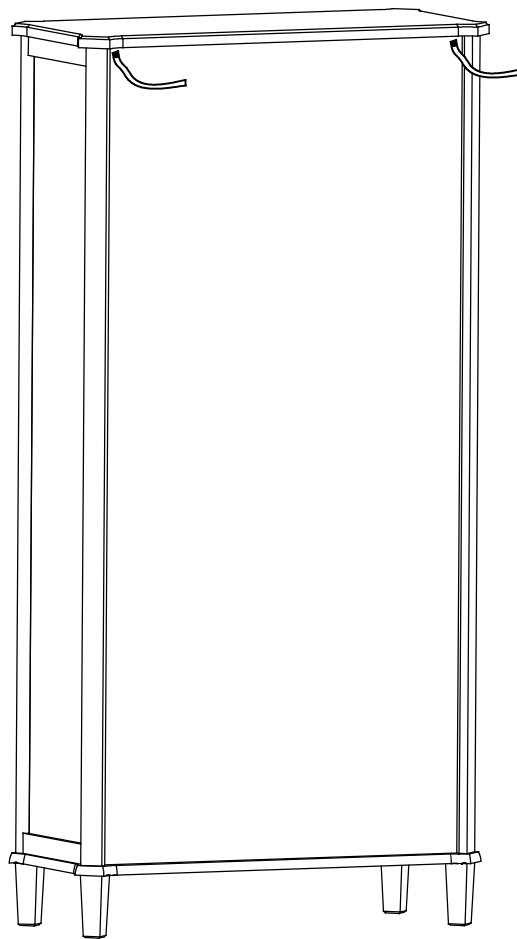
HENSHAW BOOKCASE



1.



2.

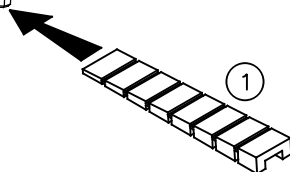
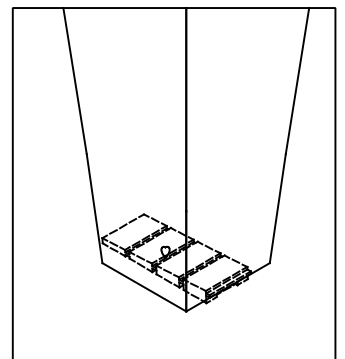
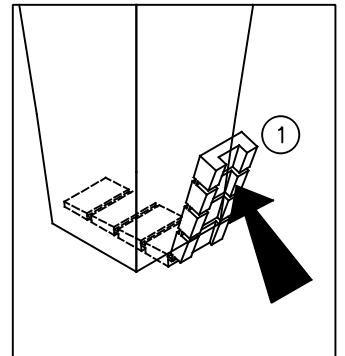
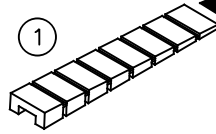
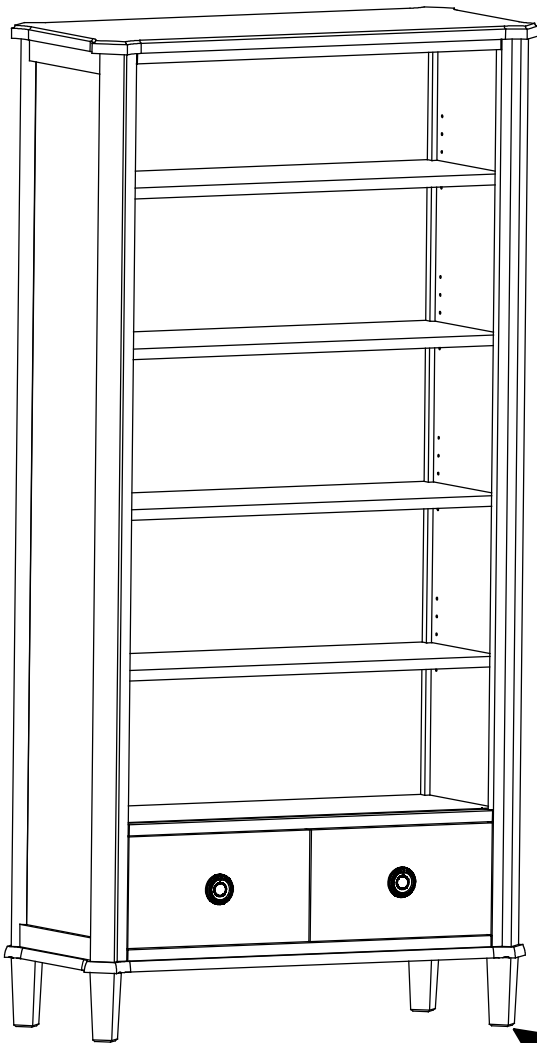
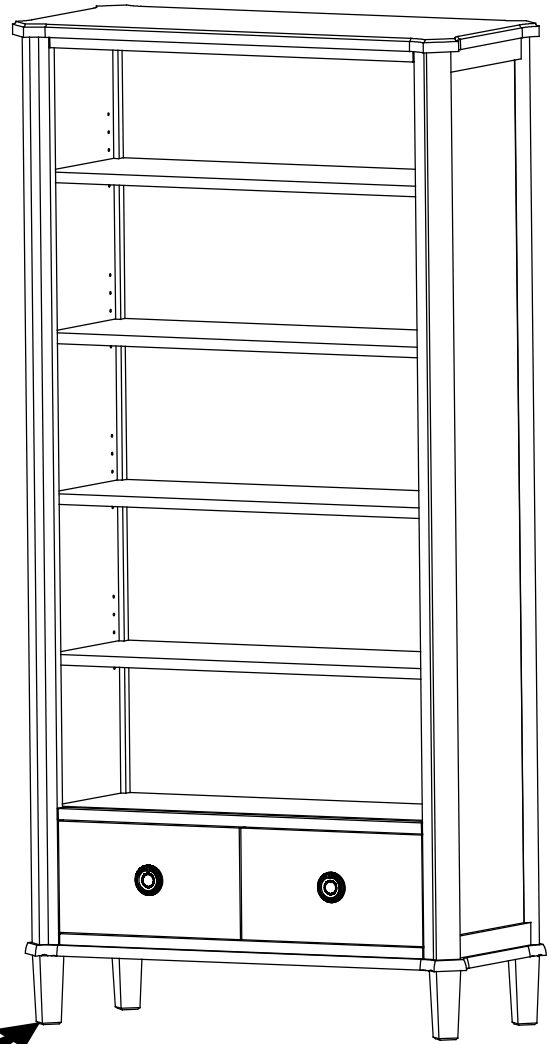
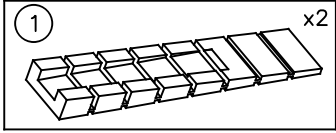


Important note: It is essential that this product is fixed to a wall using the strap supplied.

Wall fixing is not supplied, please purchase suitable fixing for the wall

Always ensure that the wall Attachment strap is correctly fitted.

3.



4.

