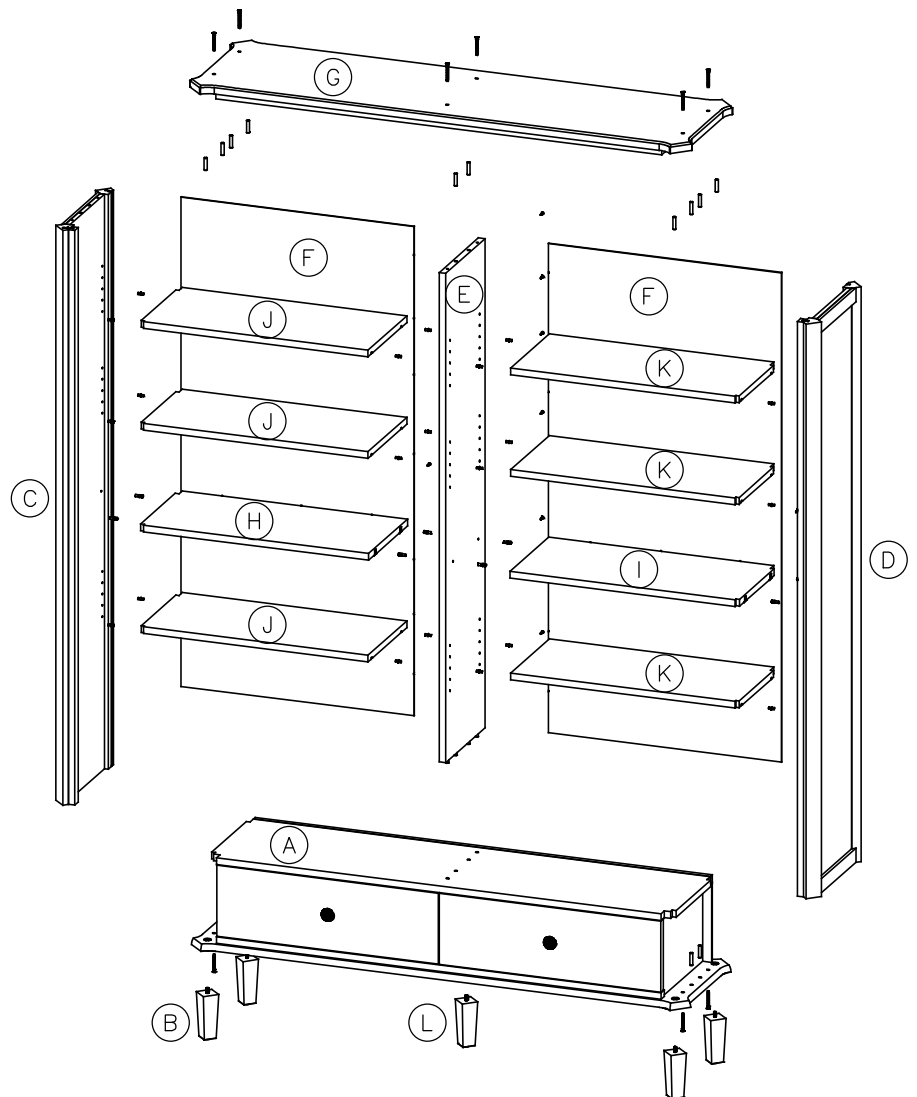
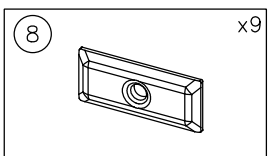
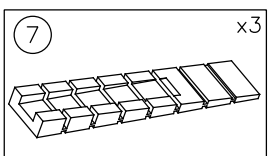
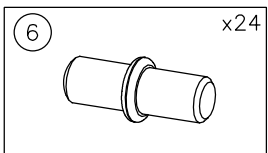
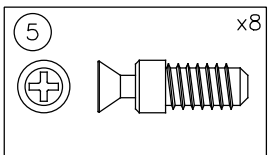
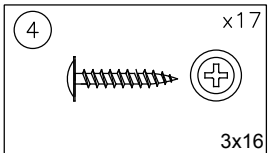
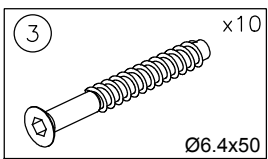
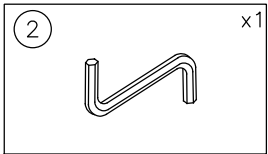
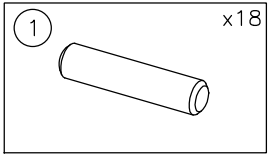
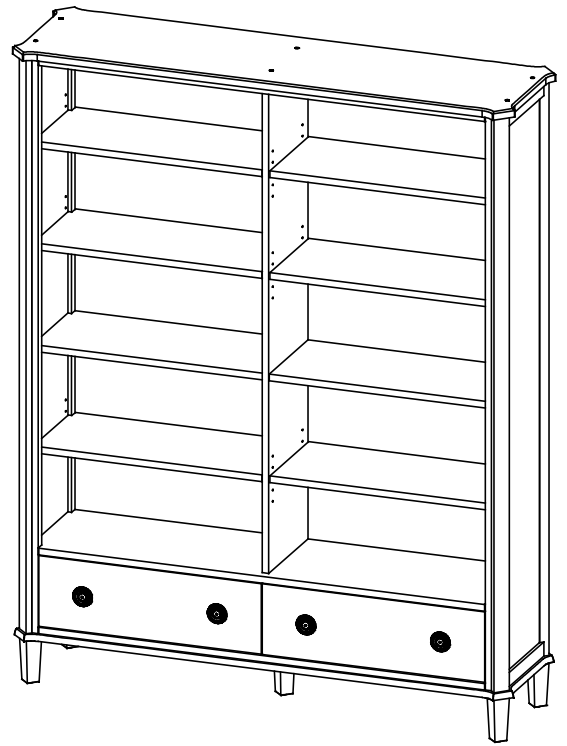
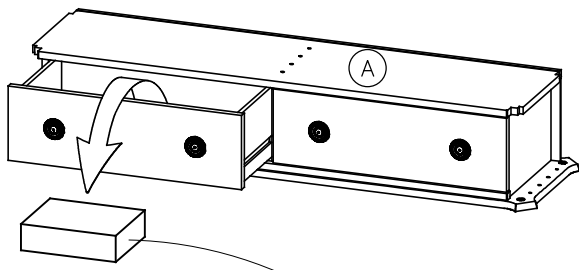


ASSEMBLY INSTRUCTION

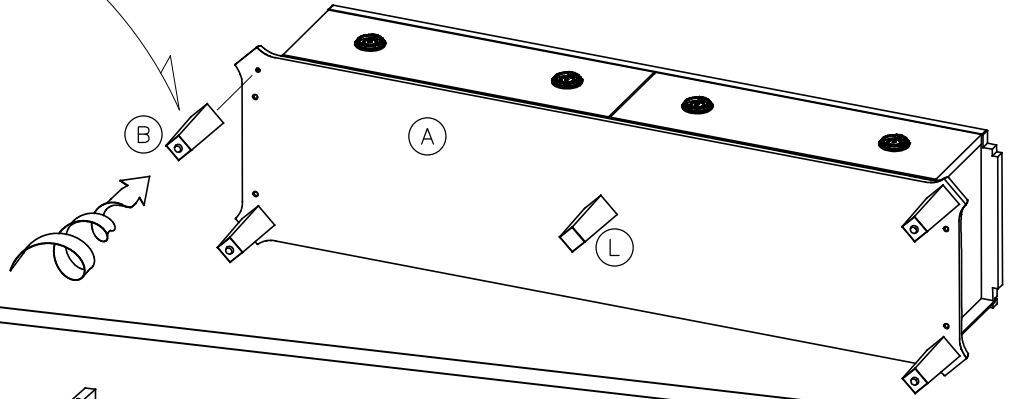
WIDE BOOKCASE 2 DRW HEN0903



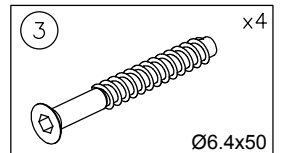
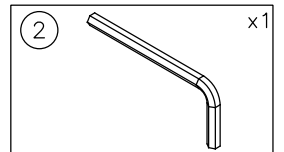
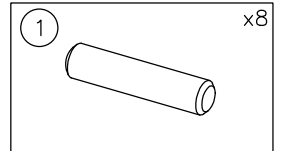
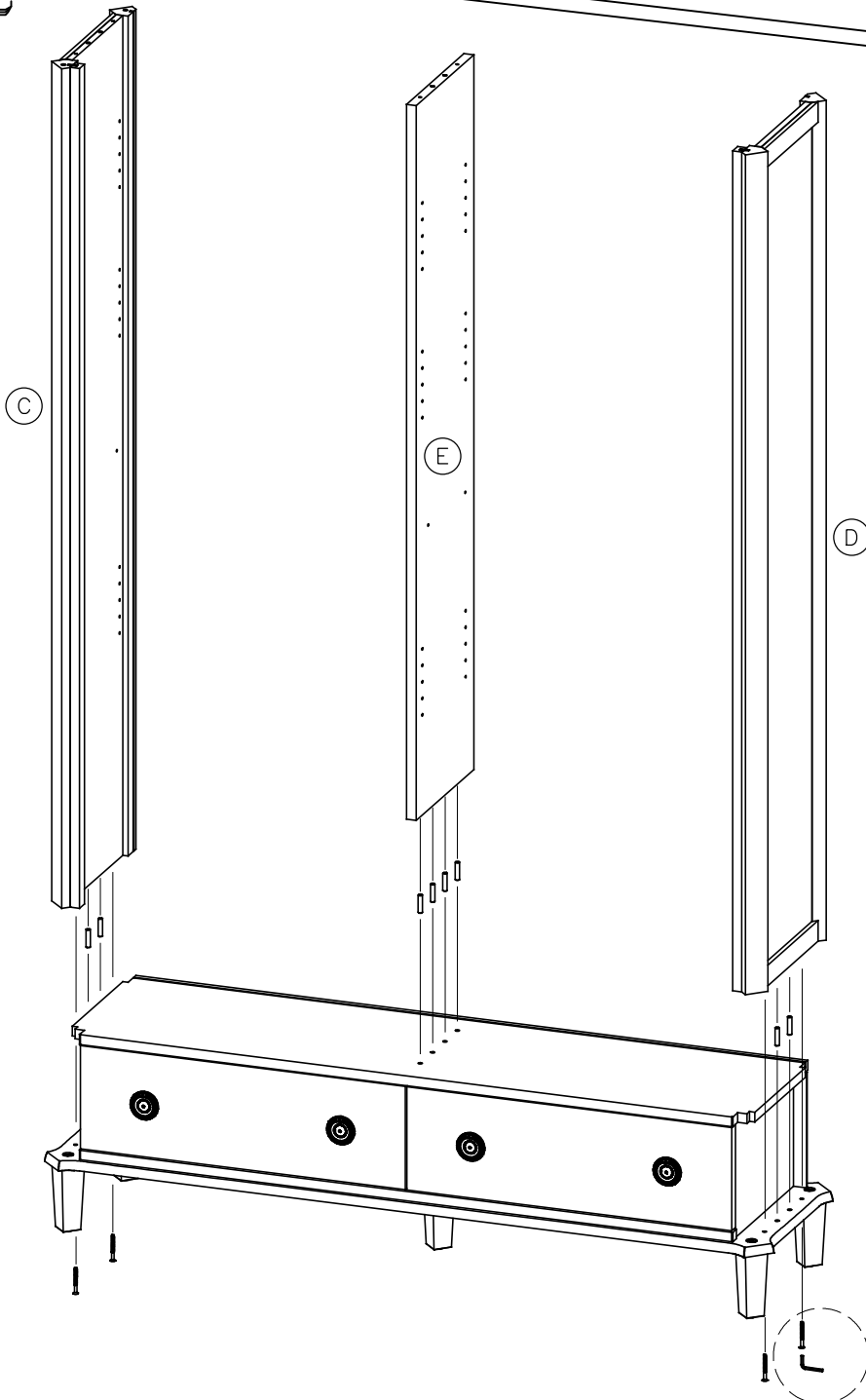
1a



1b

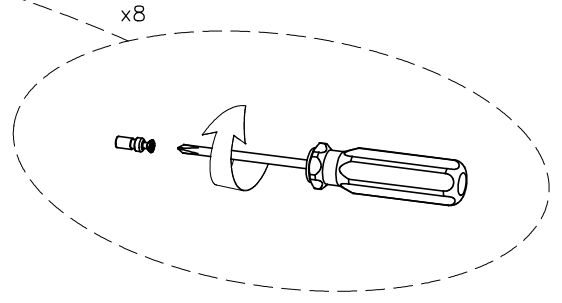
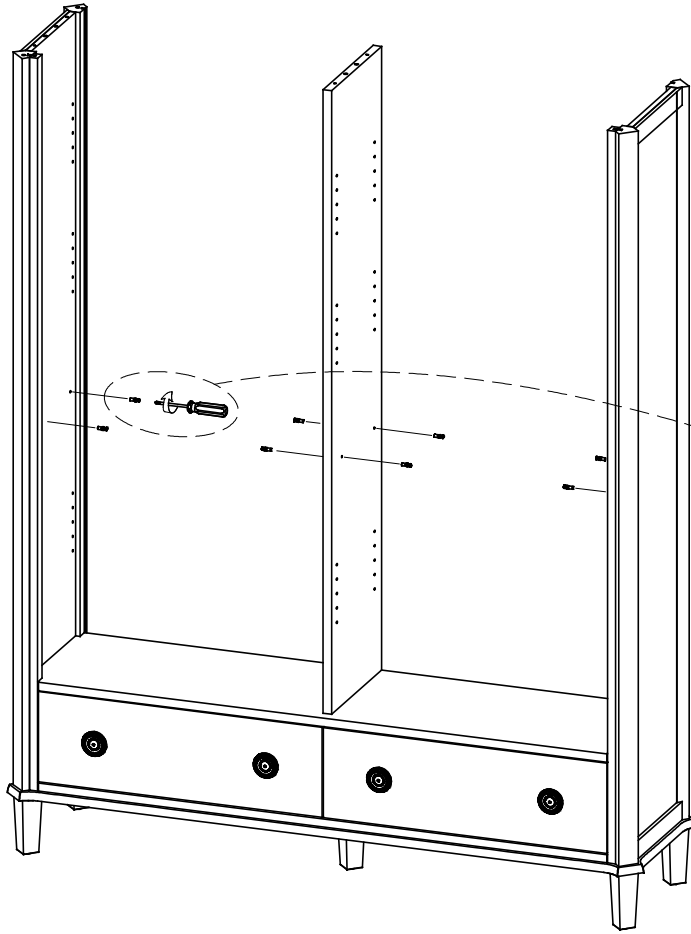
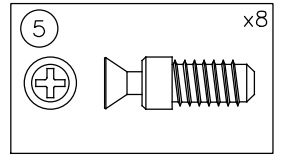


2

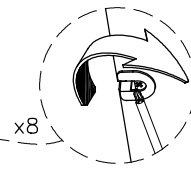
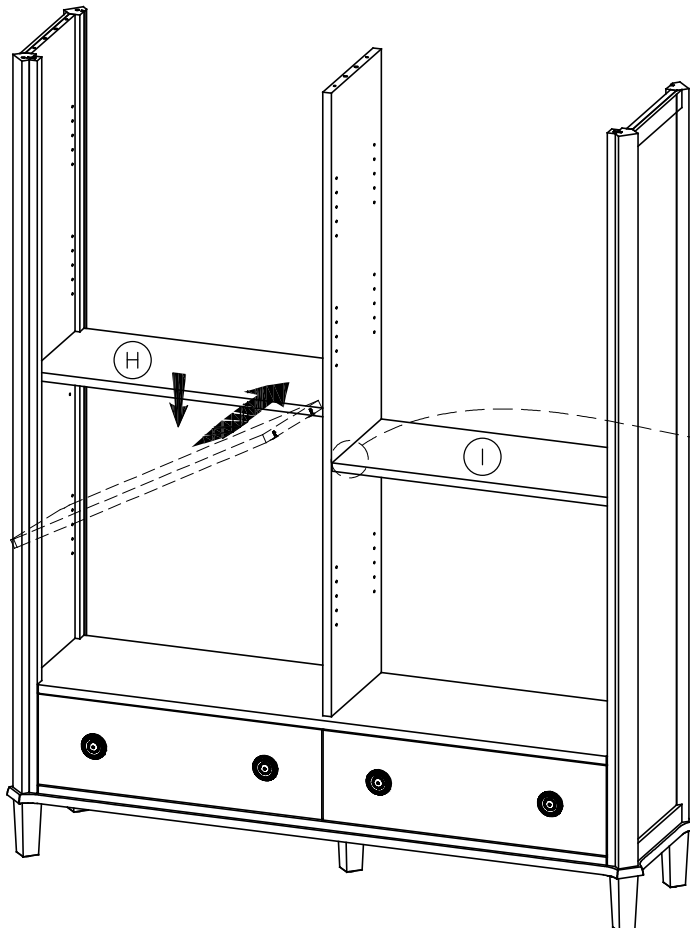


x4

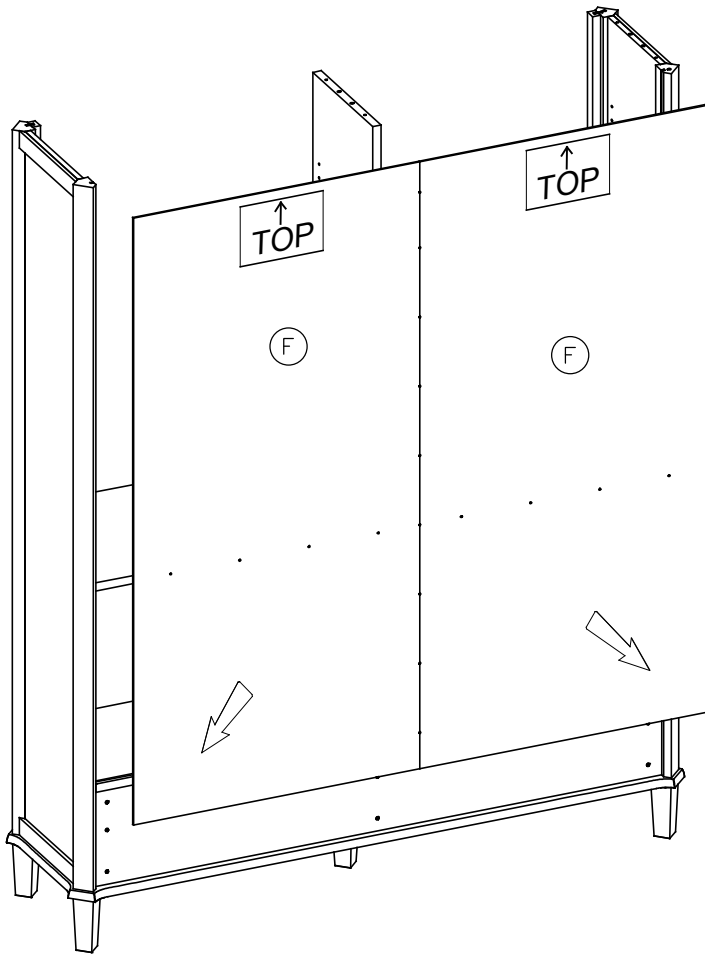
3



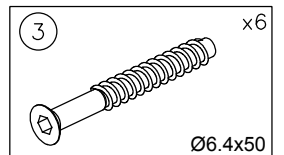
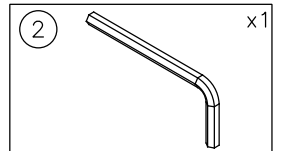
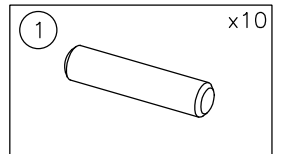
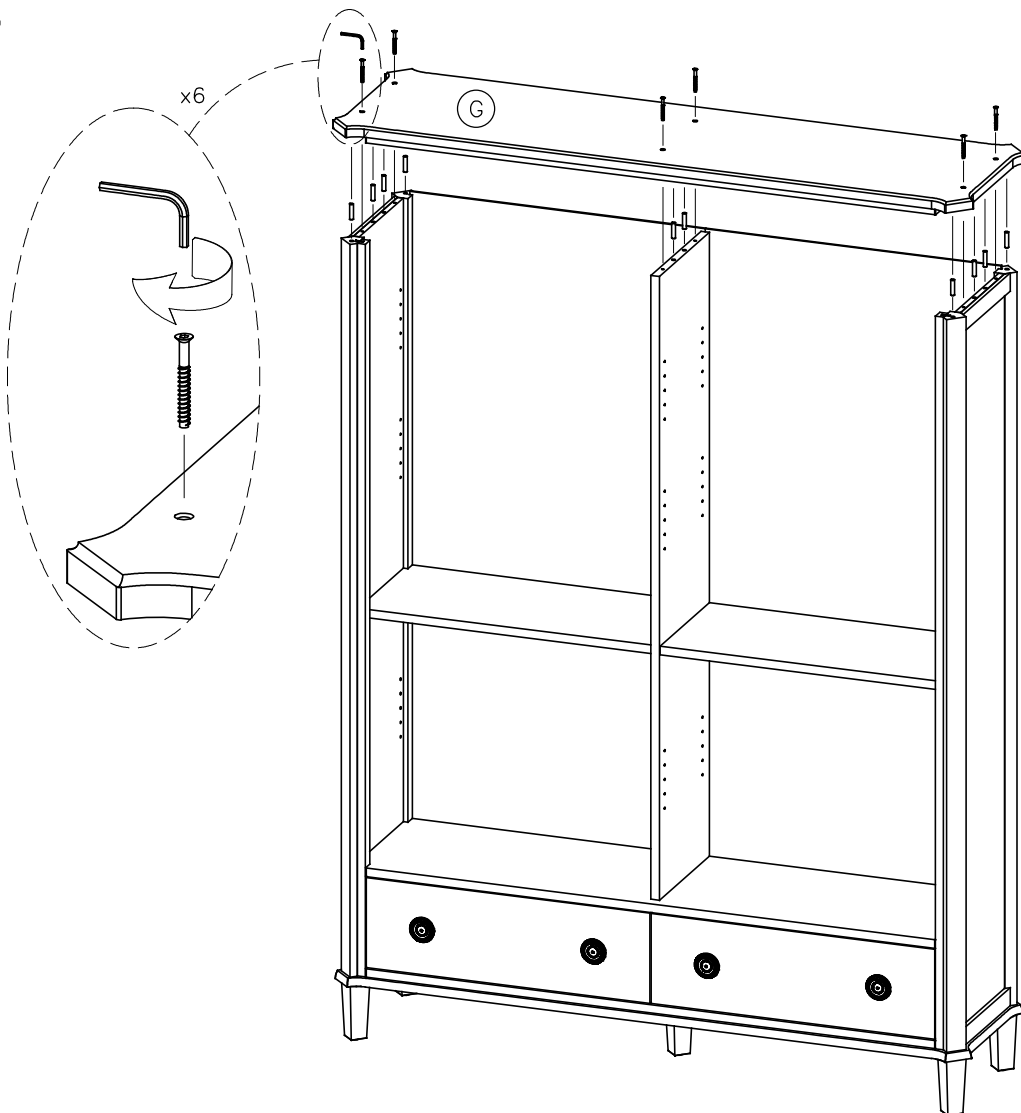
4



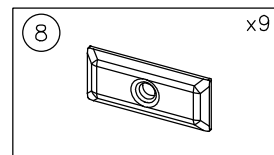
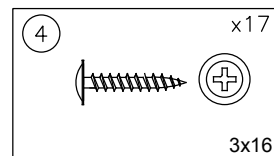
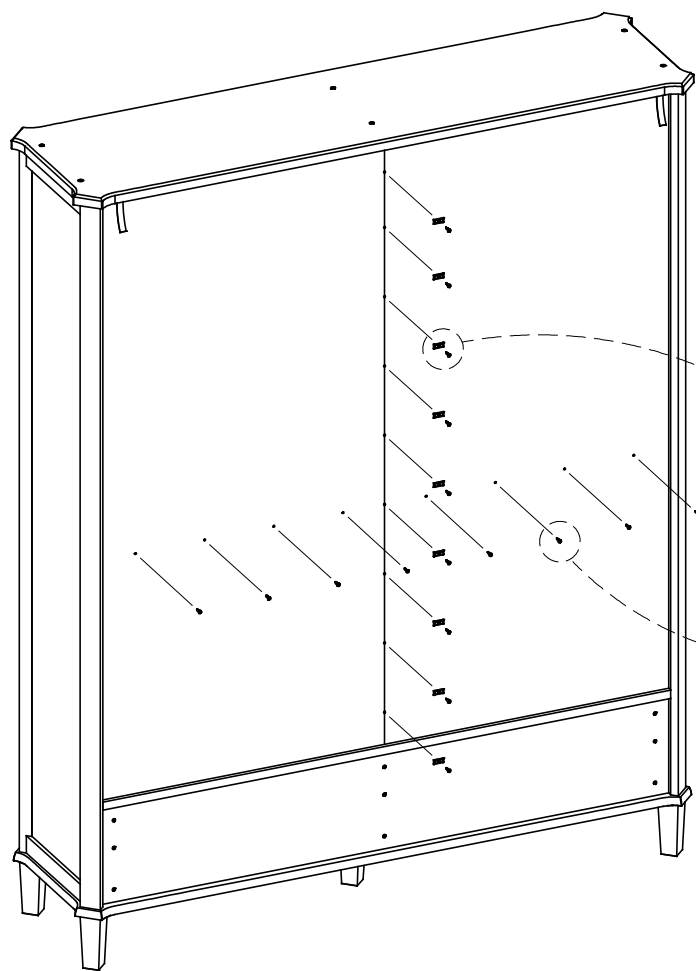
5



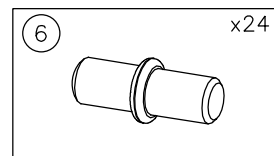
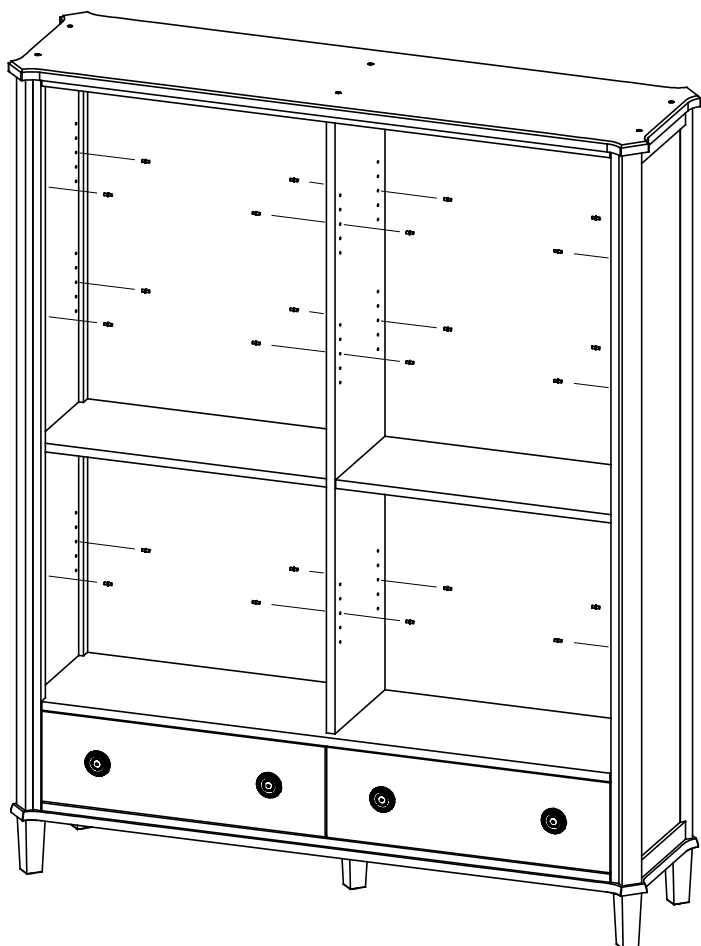
6



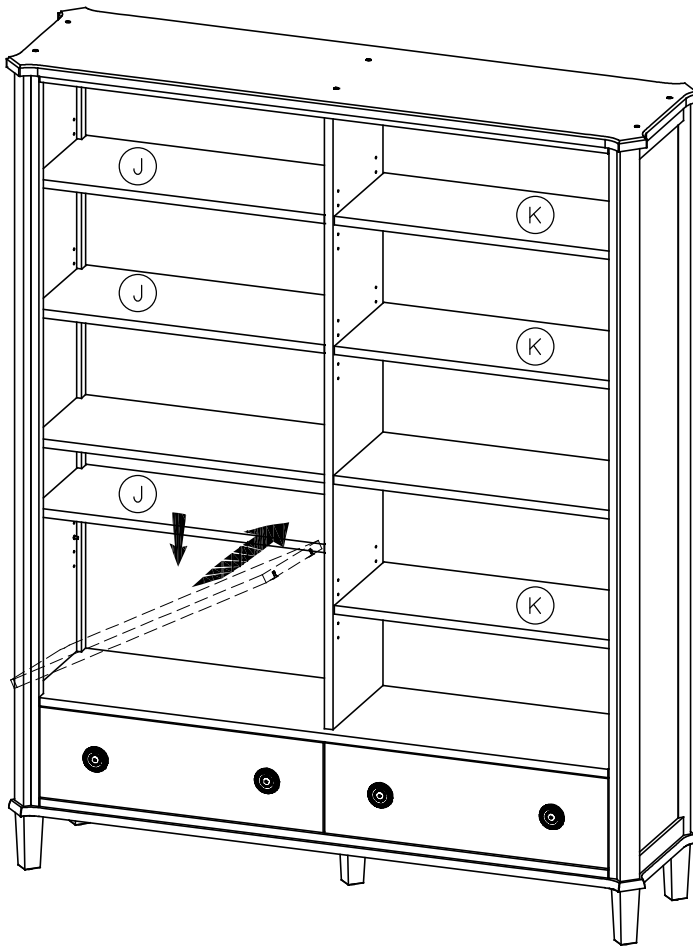
7



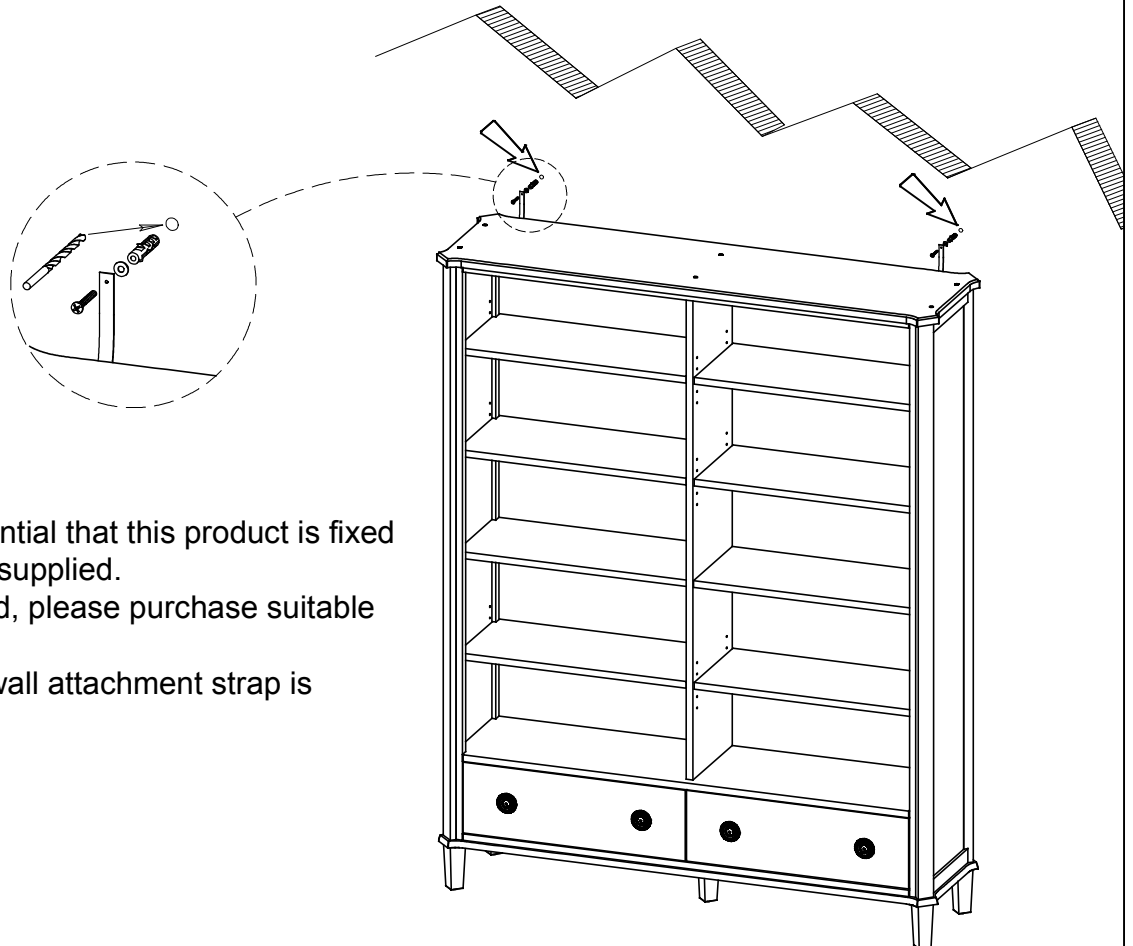
8



9



10



Important note: It is essential that this product is fixed to a wall using the strap supplied. Wall fixing is not supplied, please purchase suitable fixing for the wall. Always ensure that the wall attachment strap is correctly fitted.

