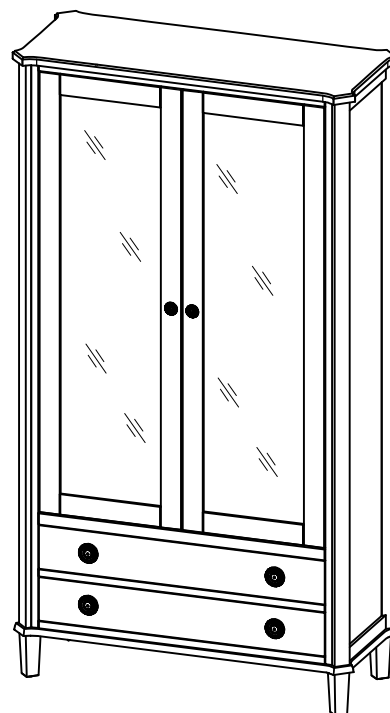
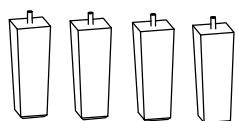
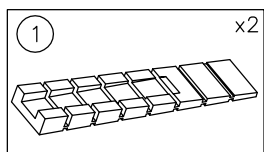
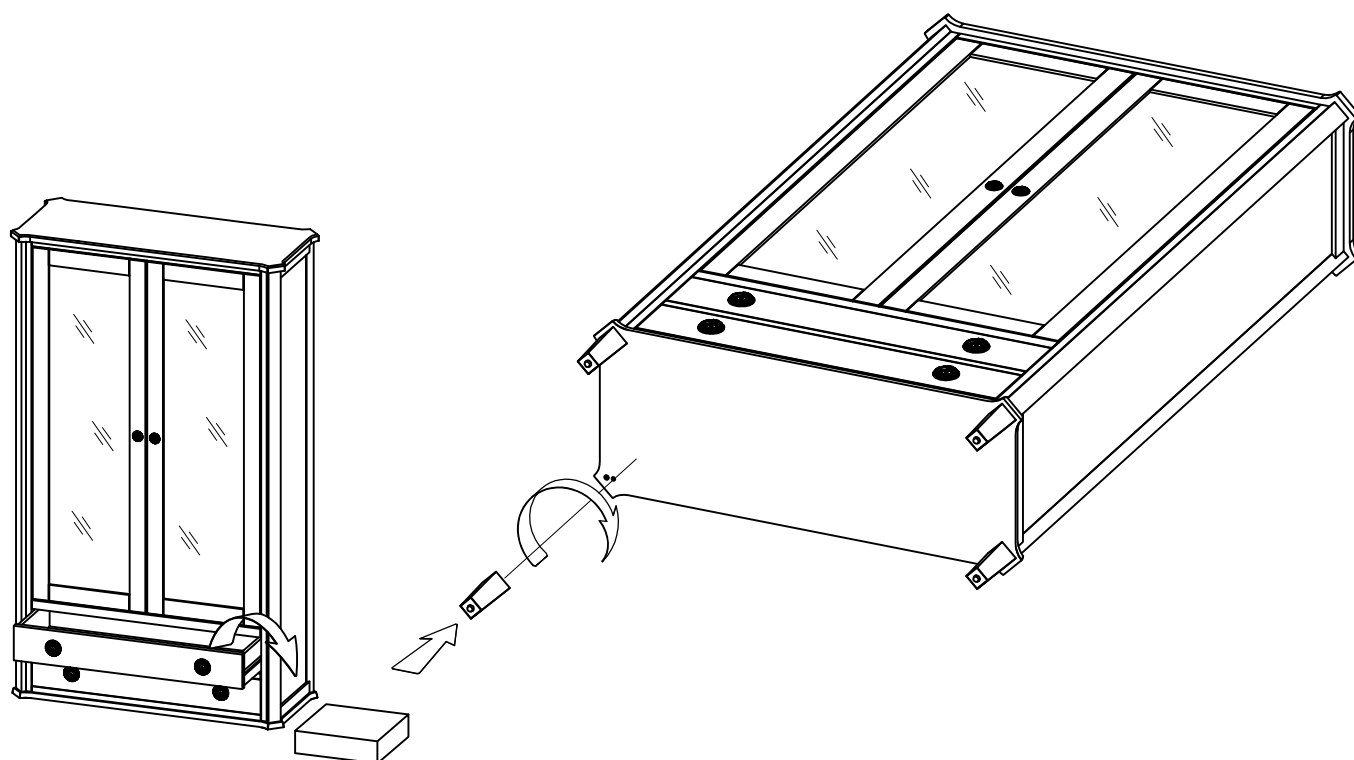


# ASSEMBLY INSTRUCTION

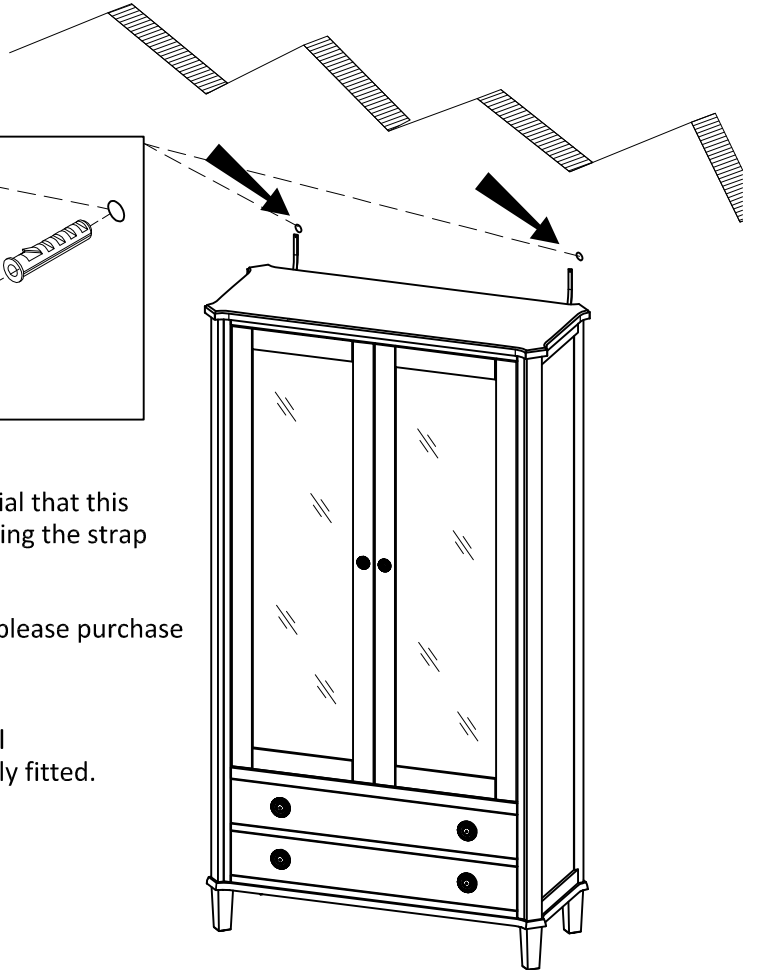
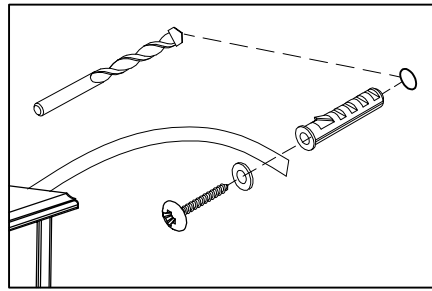
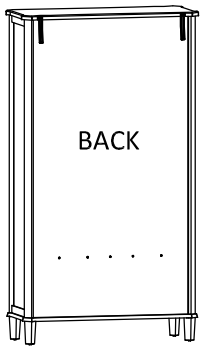
## HENSHAW DISPLAY CABINET HEN2002



1



2

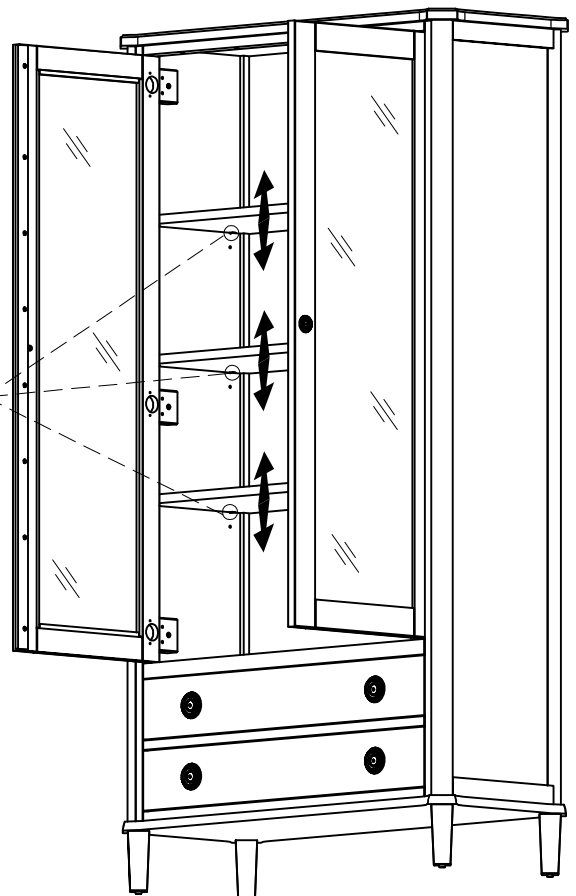
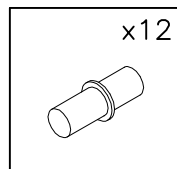
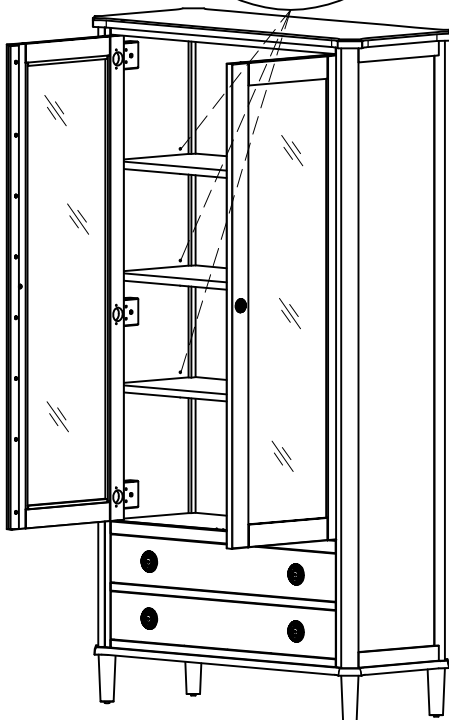
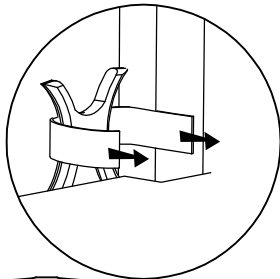


Important note: It is essential that this product is fixed to a wall using the strap supplied.

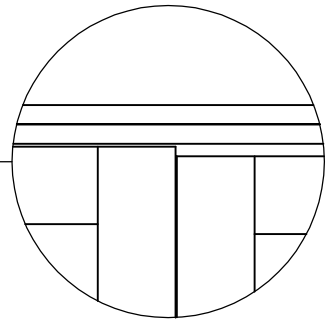
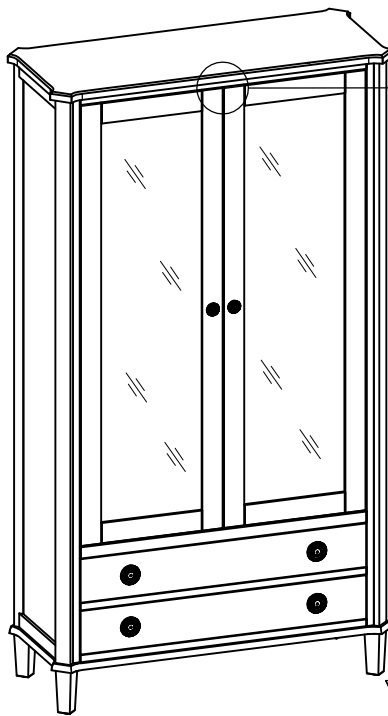
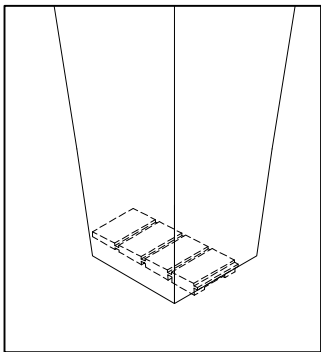
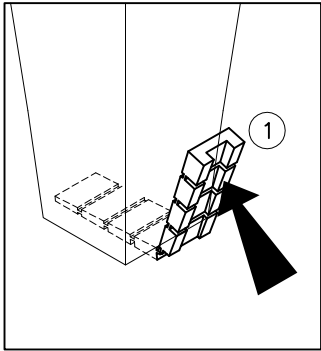
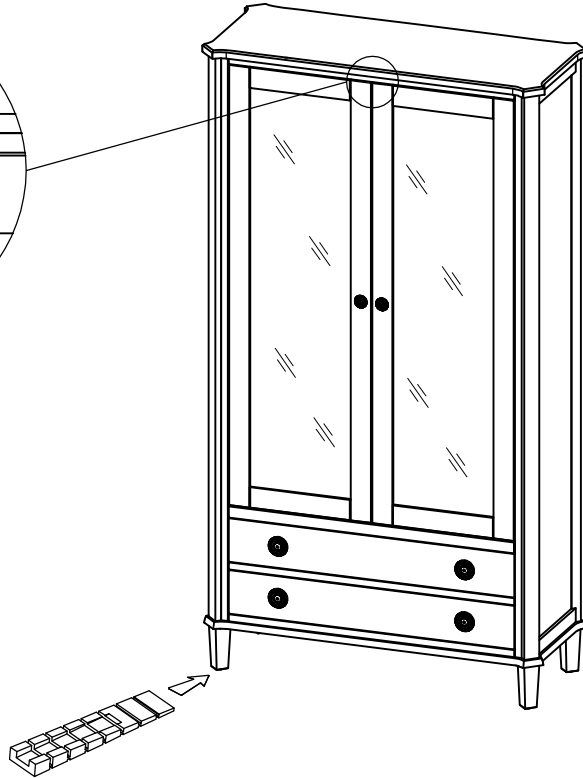
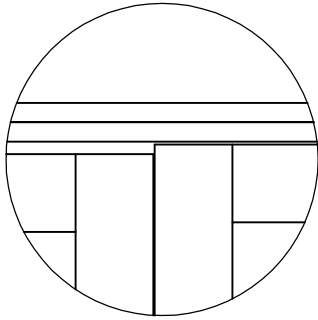
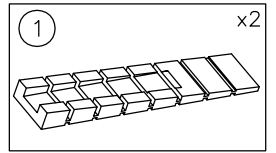
Wall fixing is not supplied, please purchase suitable fixing for the wall

Always ensure that the wall attachment strap is correctly fitted.

3



4





## Henshaw 2 Door 2 Drw Display Unit

---

**Important: Keep these instructions for reference.**

Supplier: Laura Ashley Limited  
27 Bagleys Lane  
Fulham  
London  
SW6 2QA

Product Code: xxx/ xxx

This product contains glass with a normal thickness of 4 mm.

If the glass is chipped or broken, stop using the product. Replace with glass of the type described on this label. Consult manufacturer, retailer or agent with regard to obtaining a manufacturing specification and shape for replacement glass quoting product code, order number or date of manufacture

**Warnings:**

- 1) Do not place very hot or cold items against or in close proximity to glass surfaces unless an adequately thick insulating material is used to prevent such items from coming into contact with the glass
- 2) Do not strike the glass with hard or pointed items or use the glass as a chopping surface
- 3) When cleaning glass panels or mirrors use a damp cloth or leather with washing up liquid or soft soap if necessary; do not use washing powders or any other substance containing abrasives since these substances scratch glass
- 4) It is essential that this unit is attached to a wall using fixings suitable for the wall type
- 5) Do not sit or stand on glass surfaces