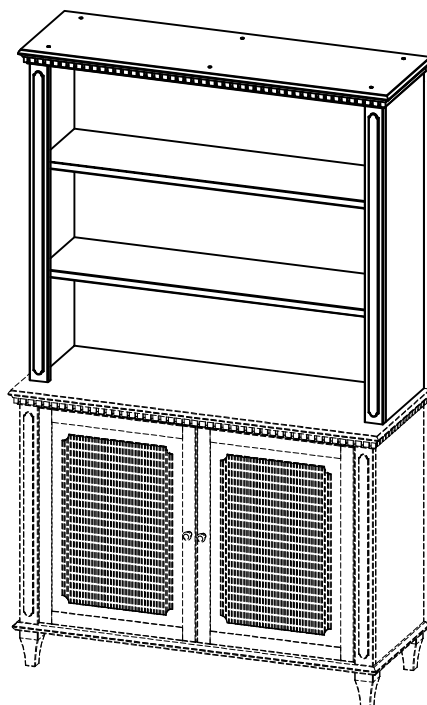
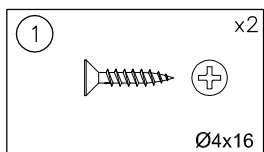


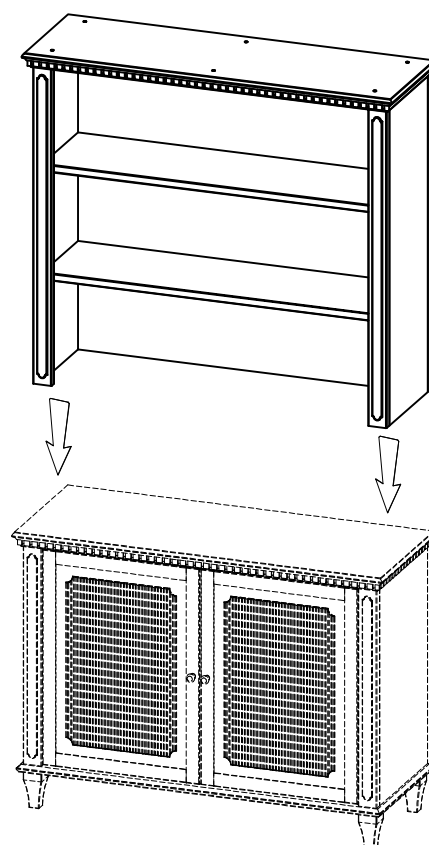
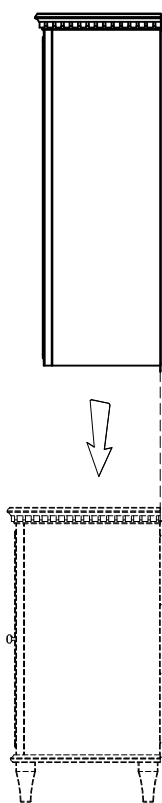
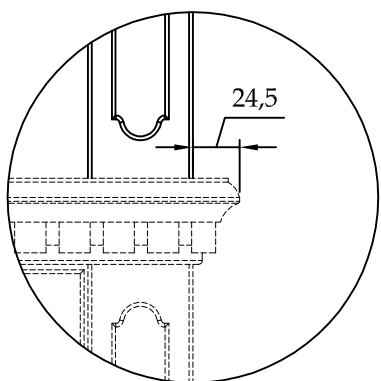
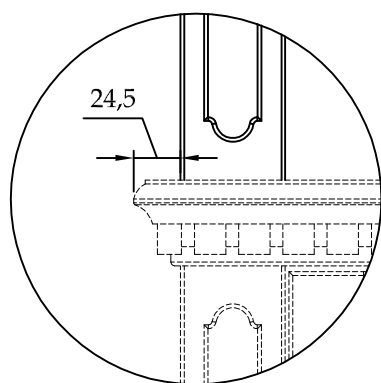
# ASSEMBLY INSTRUCTION

## HANOVER DRESSER TOP 2D SIDEBOARD

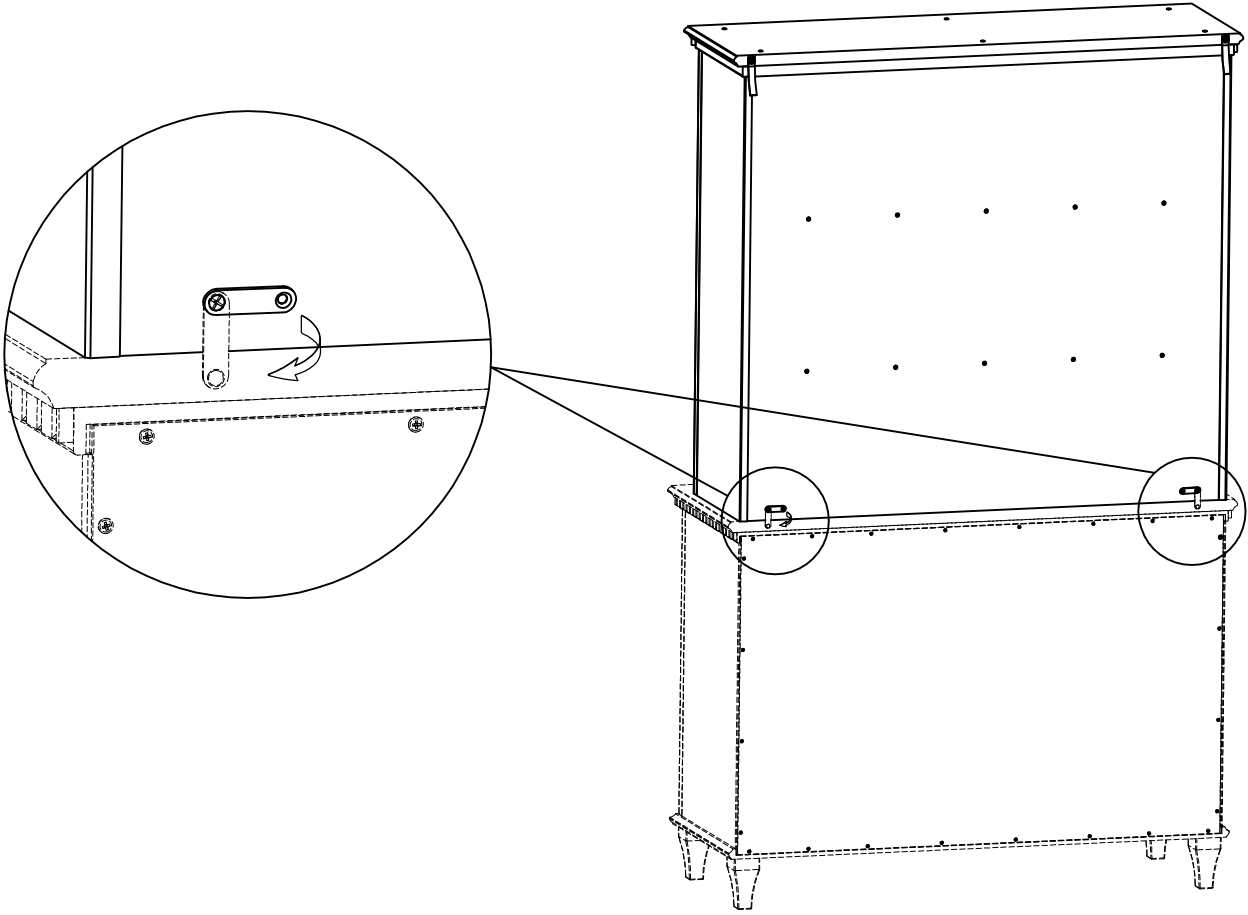
### GSV2304



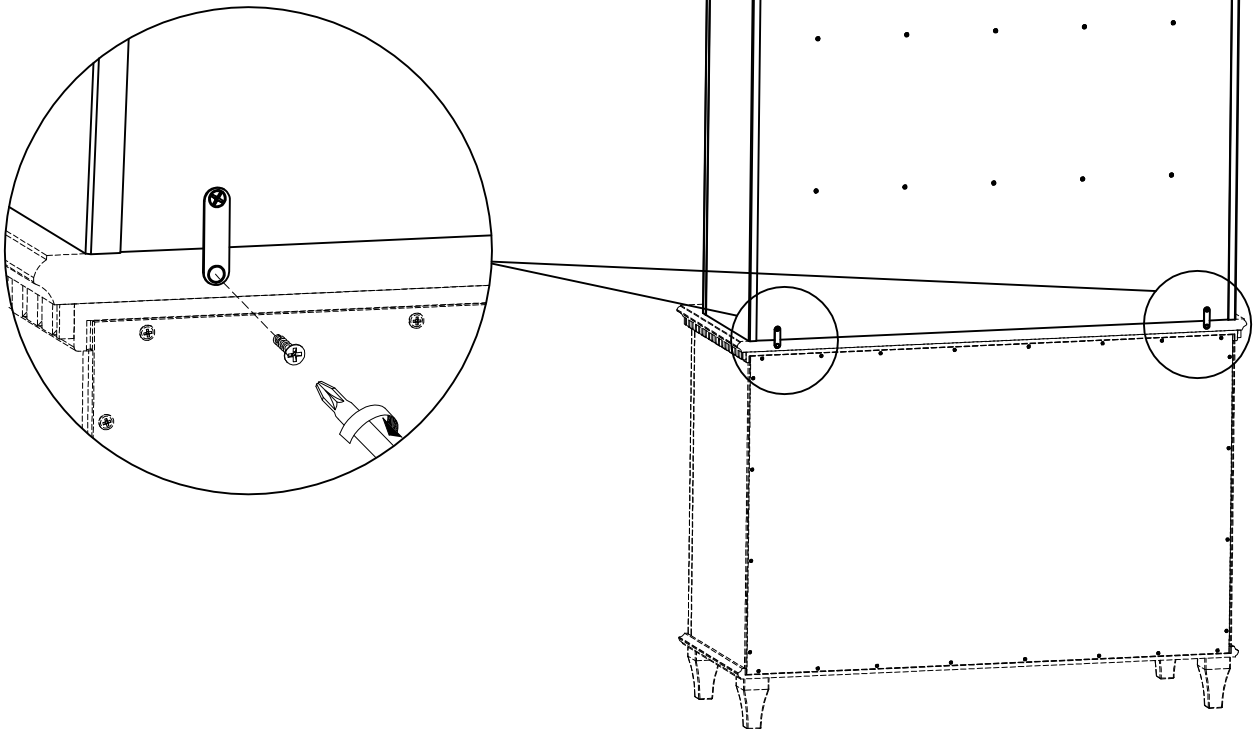
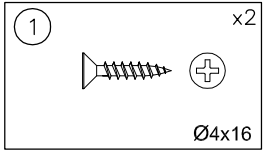
1



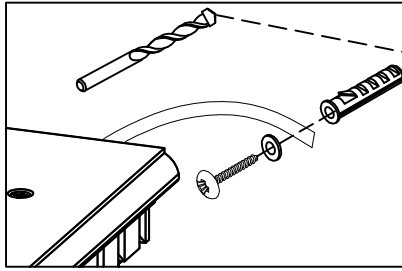
2



3



4



Important note: It is essential that this product is fixed to a wall using the strap supplied.

Wall fixing is not supplied, please purchase suitable fixing for the wall.

Always ensure that the wall attachment strap is correctly fitted.

