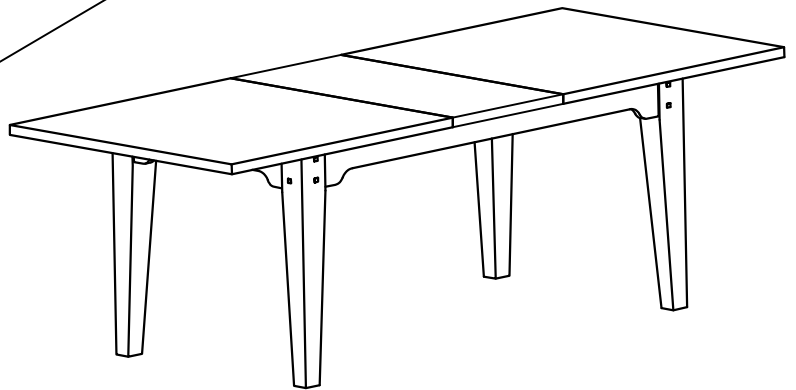
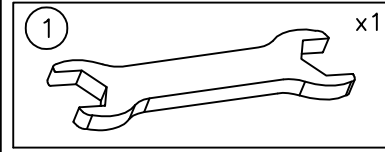
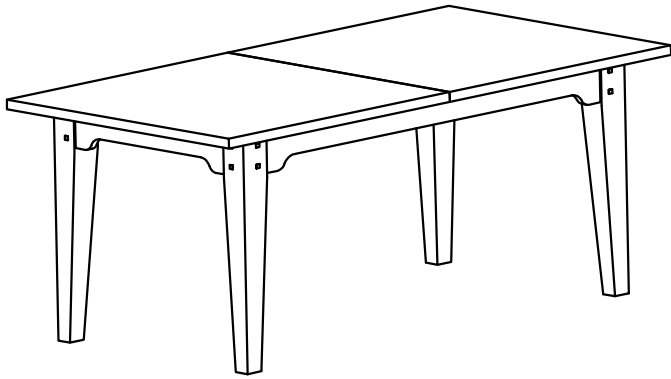


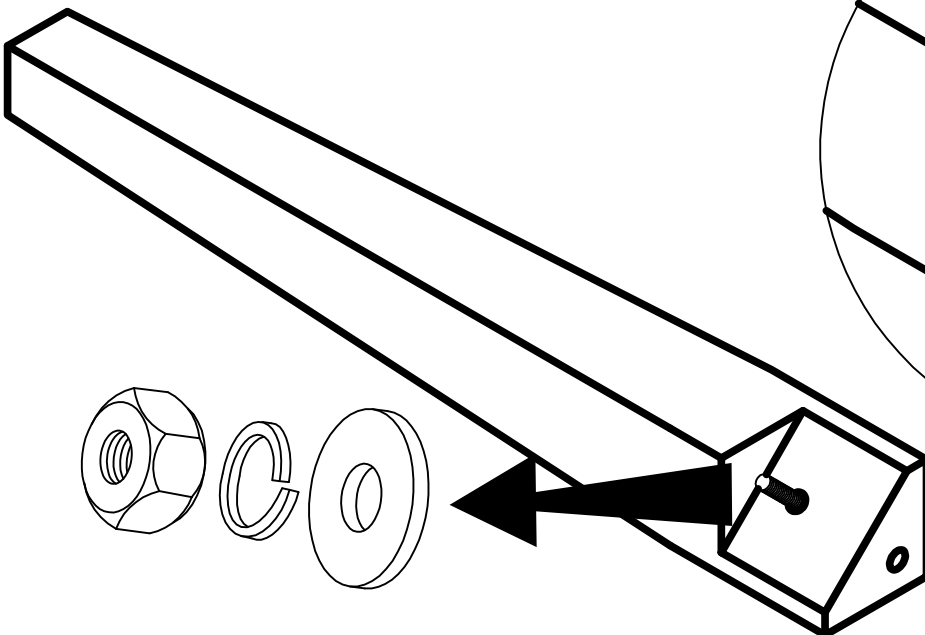
ASSEMBLY INSTRUCTIONS

GARRAT EXTENDING DINING TABLE

3345138, 3345142



1.



2.

