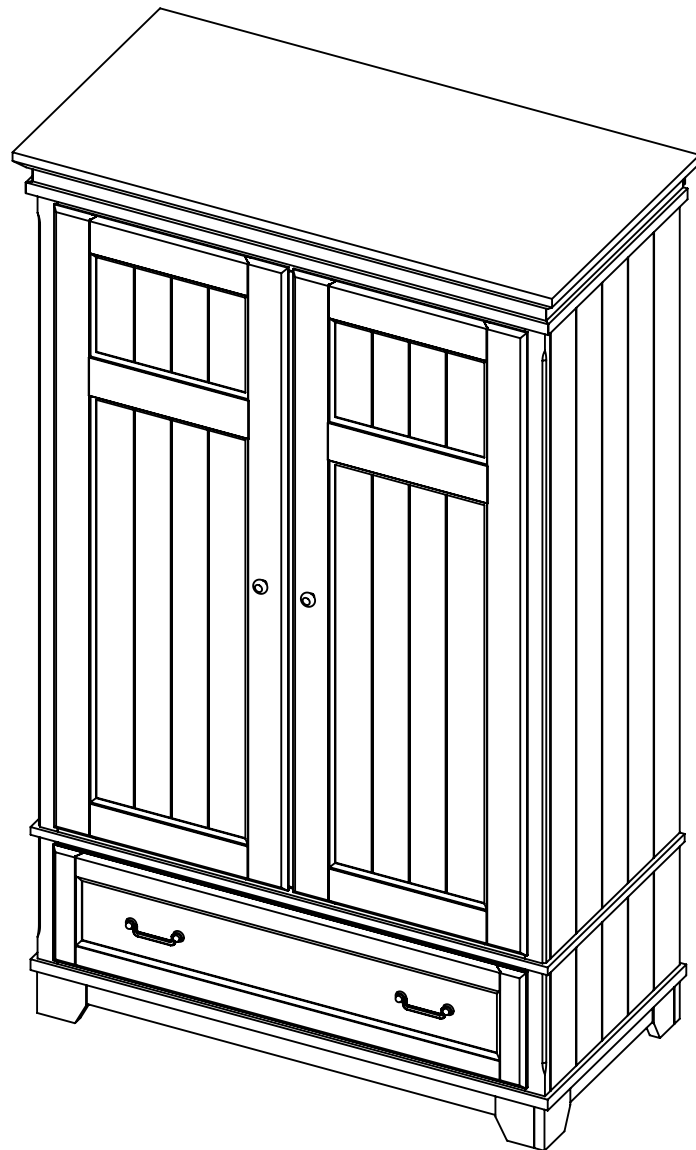
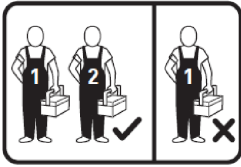
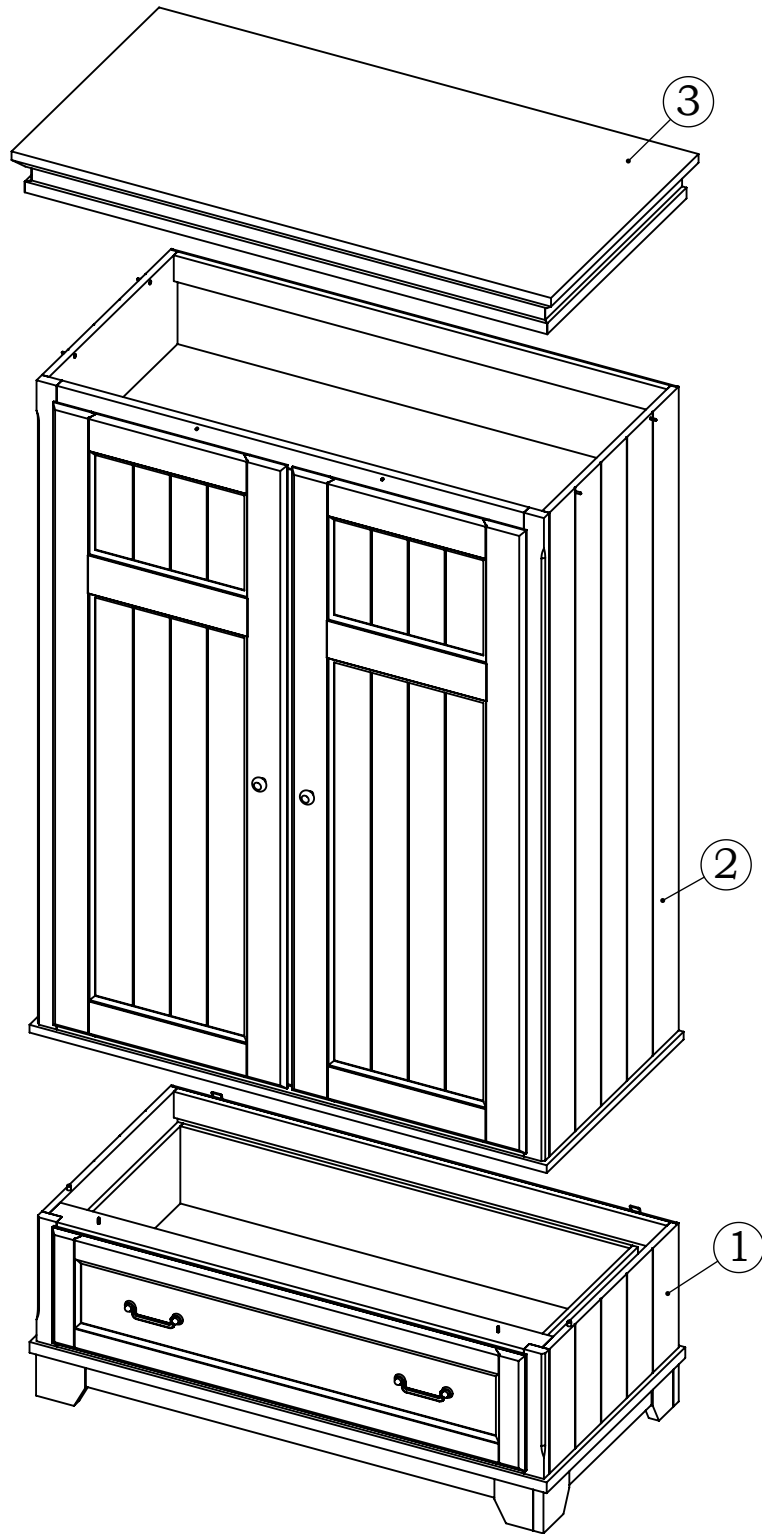
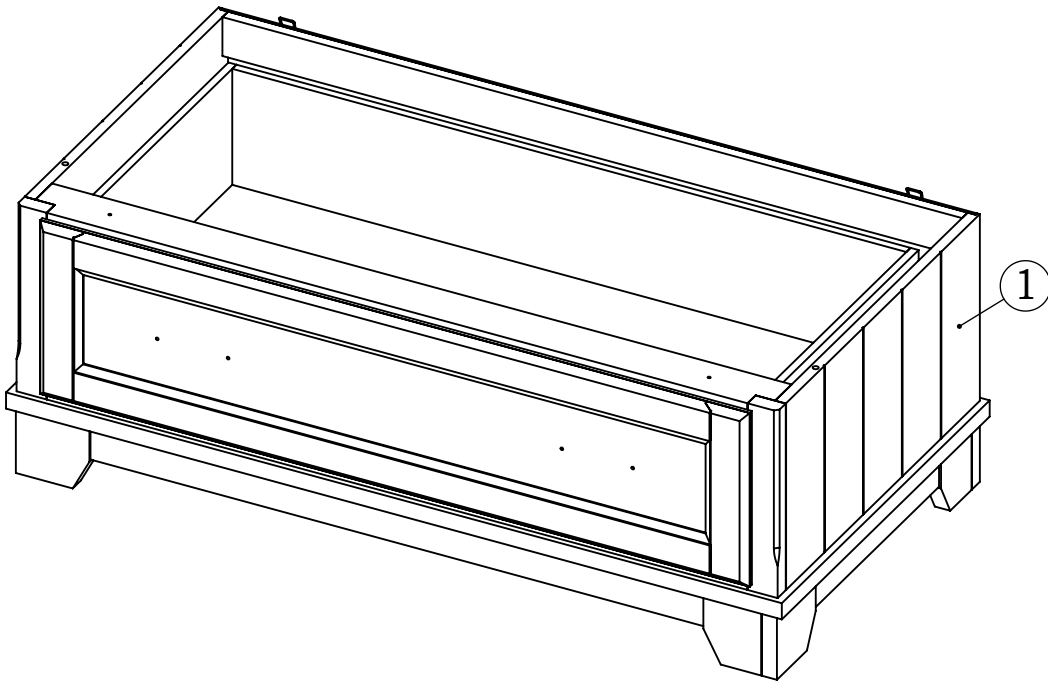


# DEVON WARDROBE - 2 DOORS







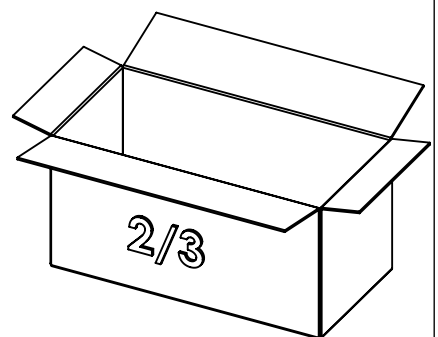
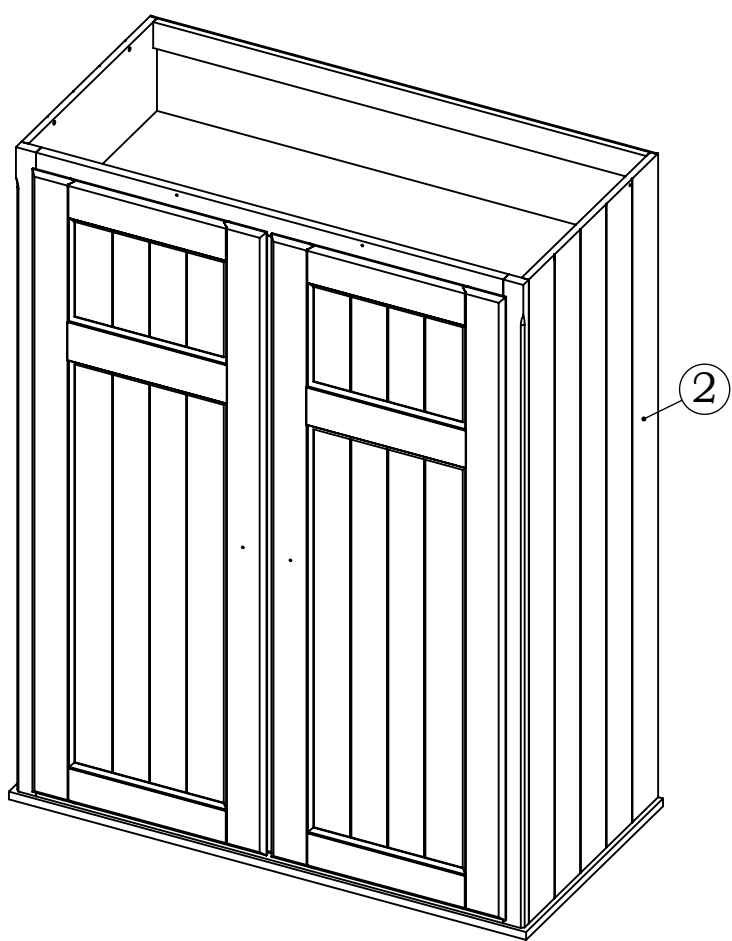
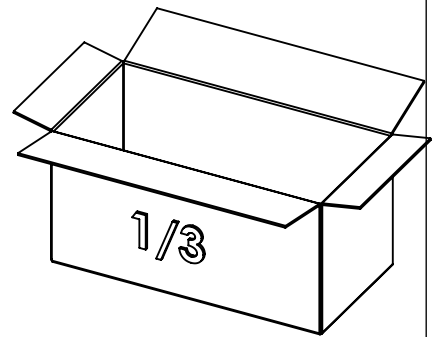
Ⓐ x8  
3.5 x30 mm

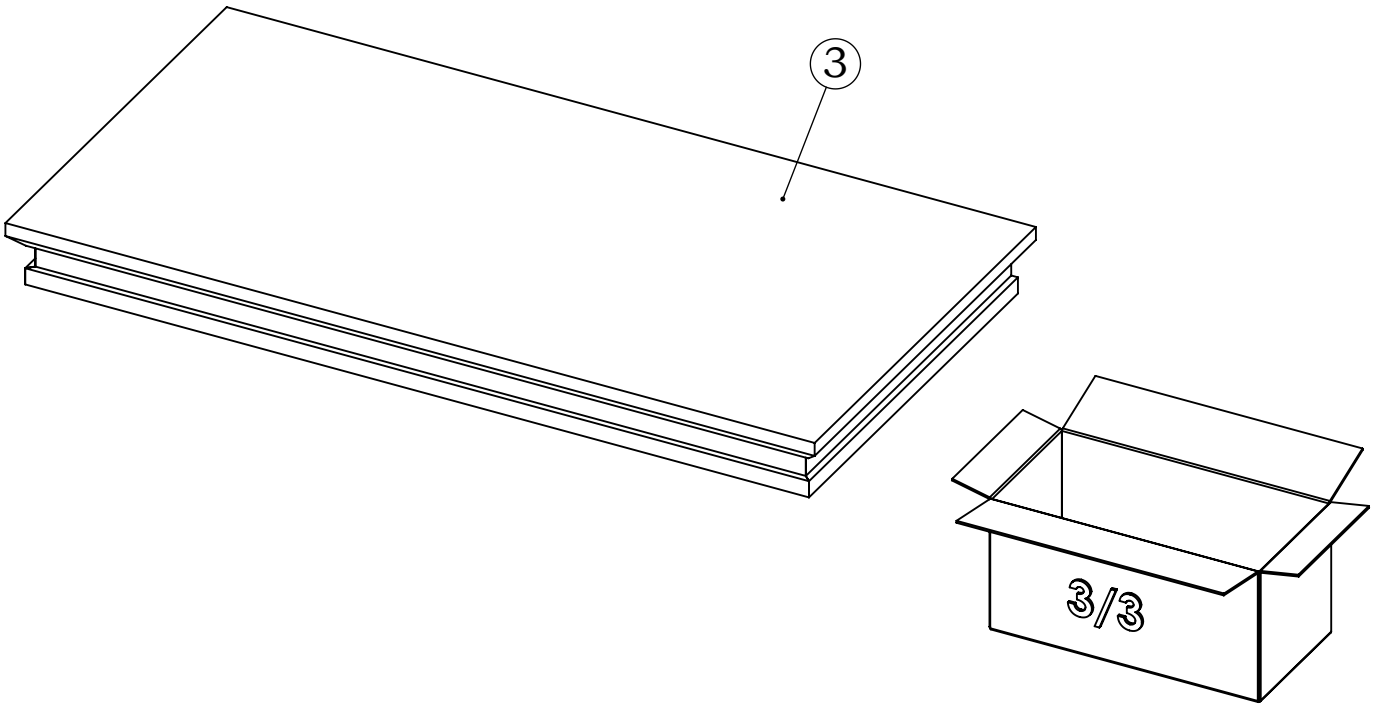
Ⓒ x2

Ⓑ x2

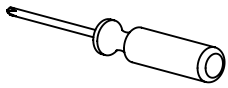
Ⓓ x2

Ⓔ

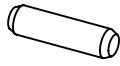




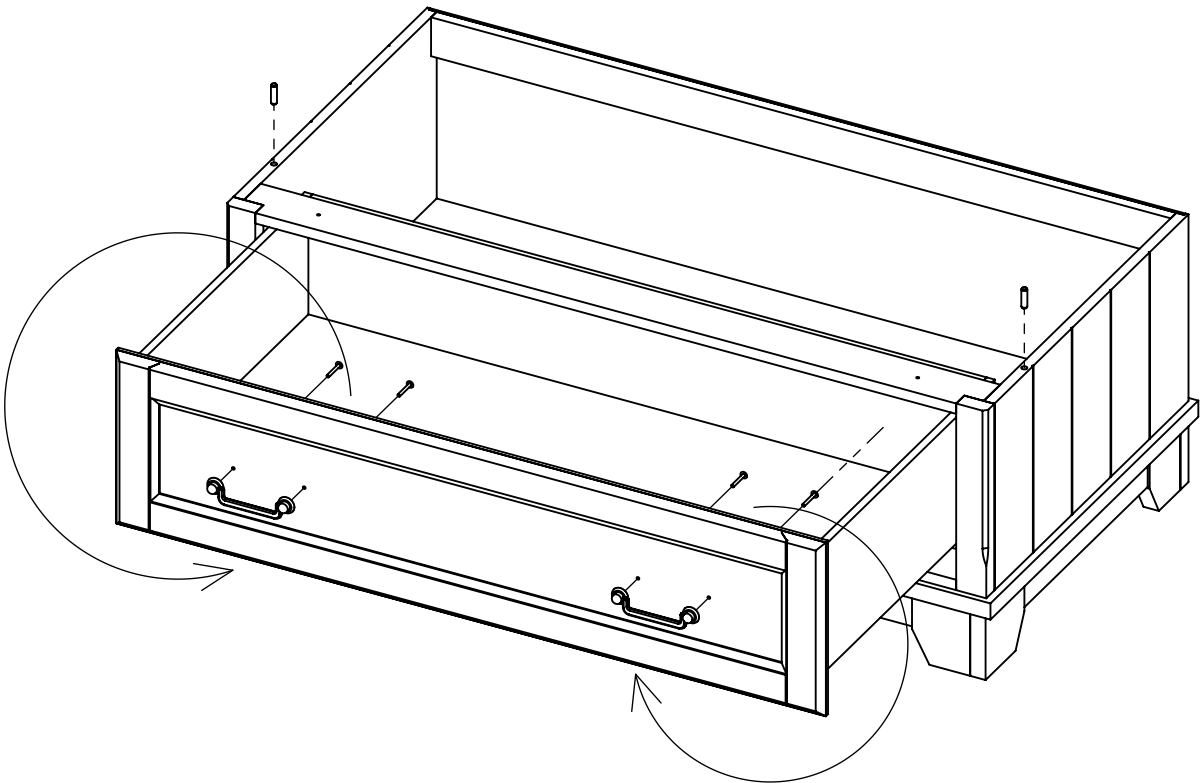
STEP 1



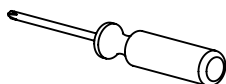
(E)



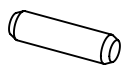
(B) x2



STEP 2

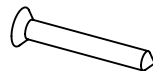


(E)



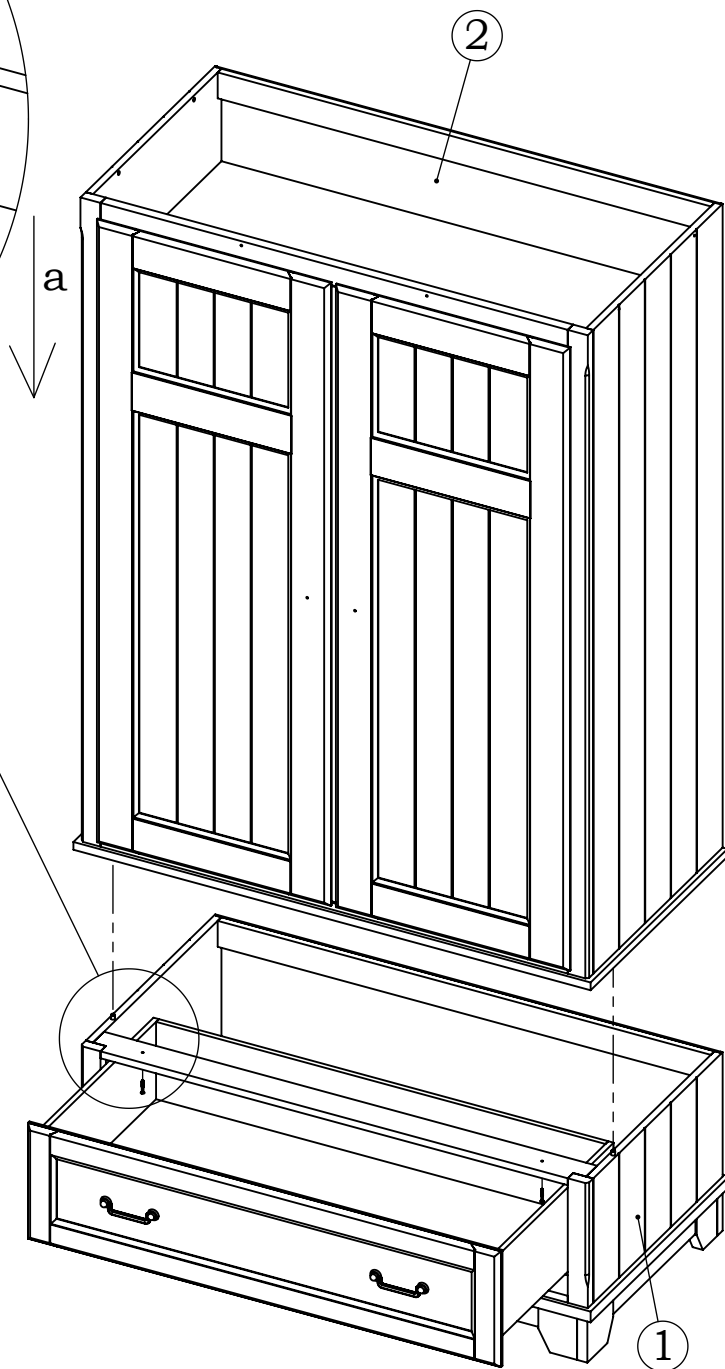
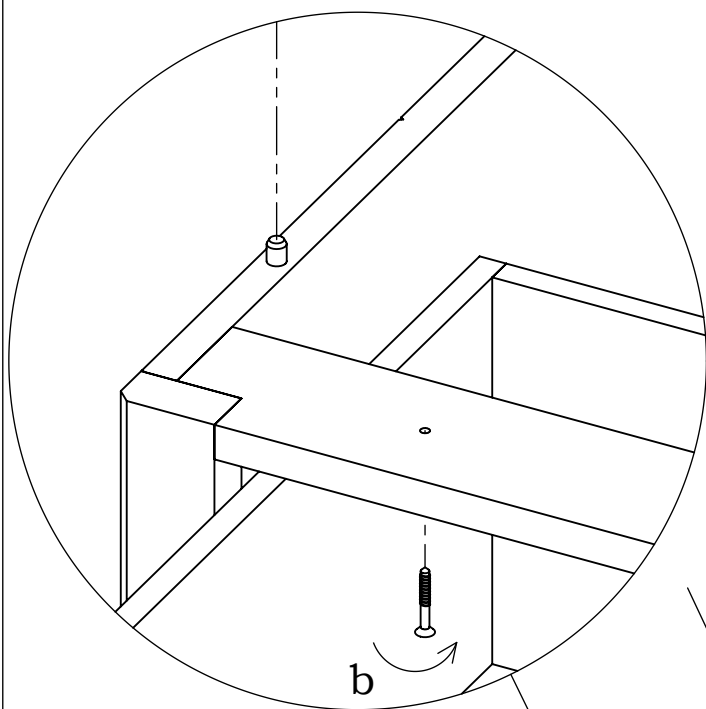
(B)

x2

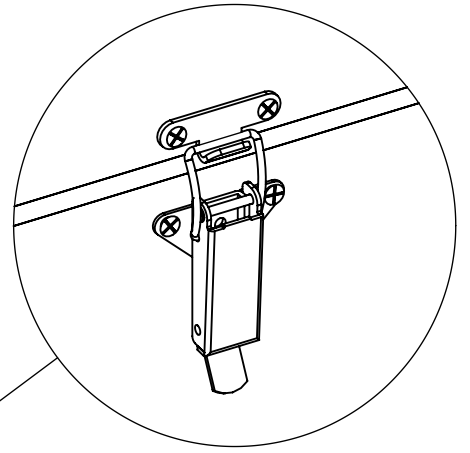
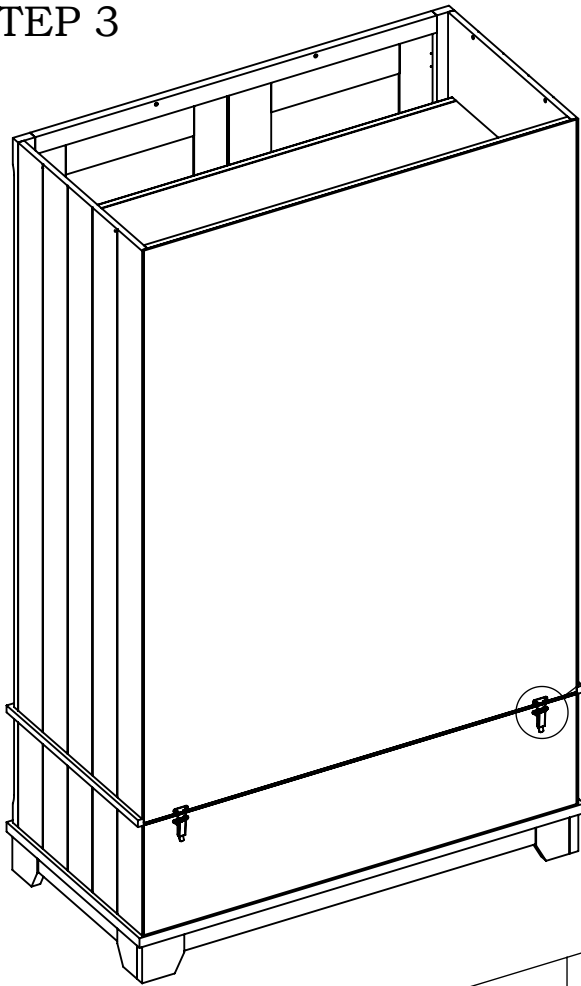


(A)

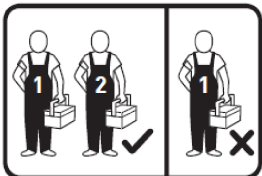
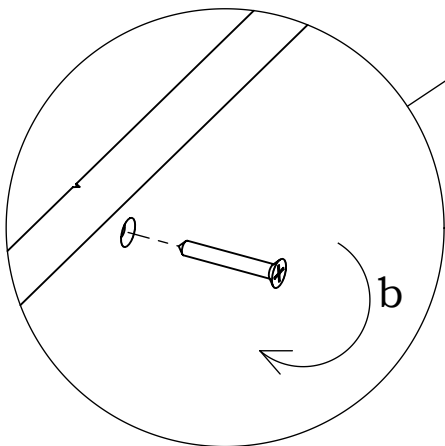
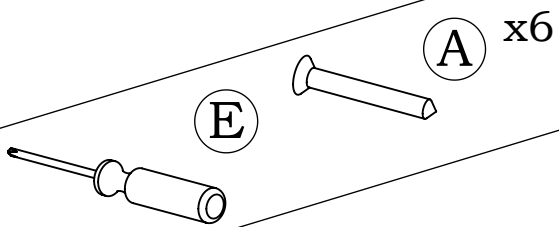
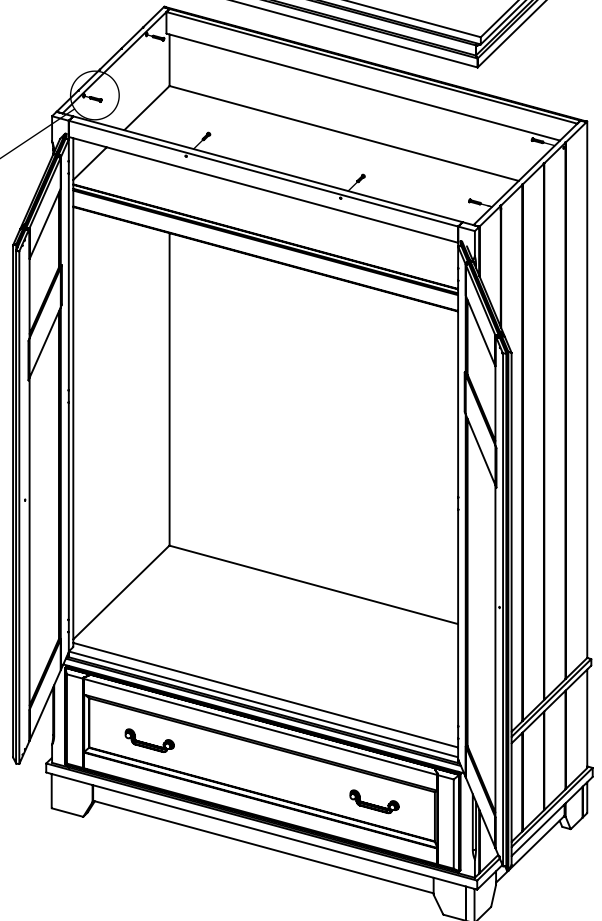
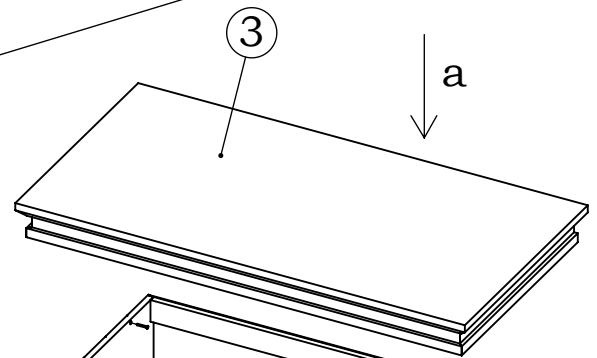
x2



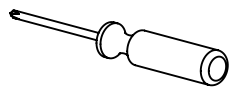
# STEP 3



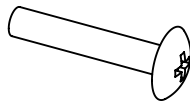
# STEP 4



STEP 5

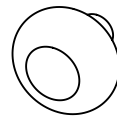


(E)



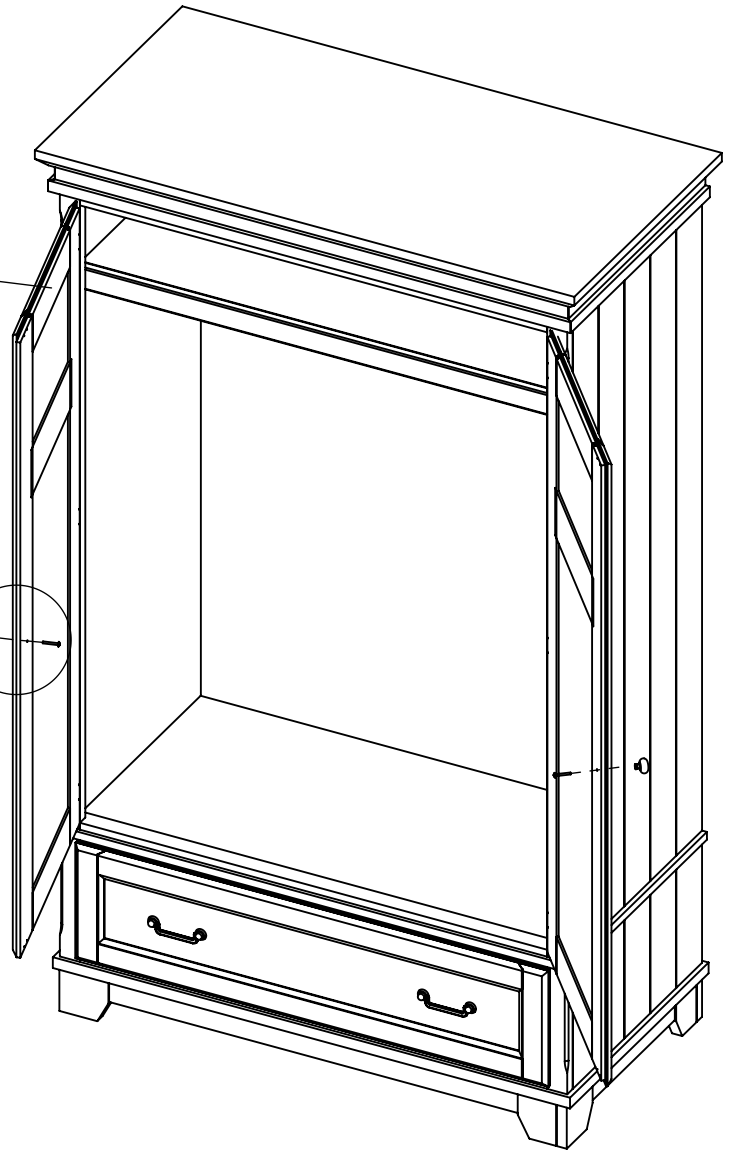
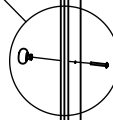
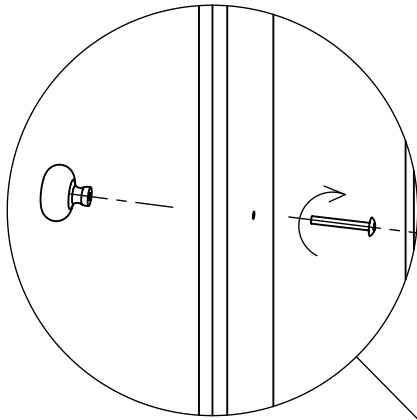
(C)

x2

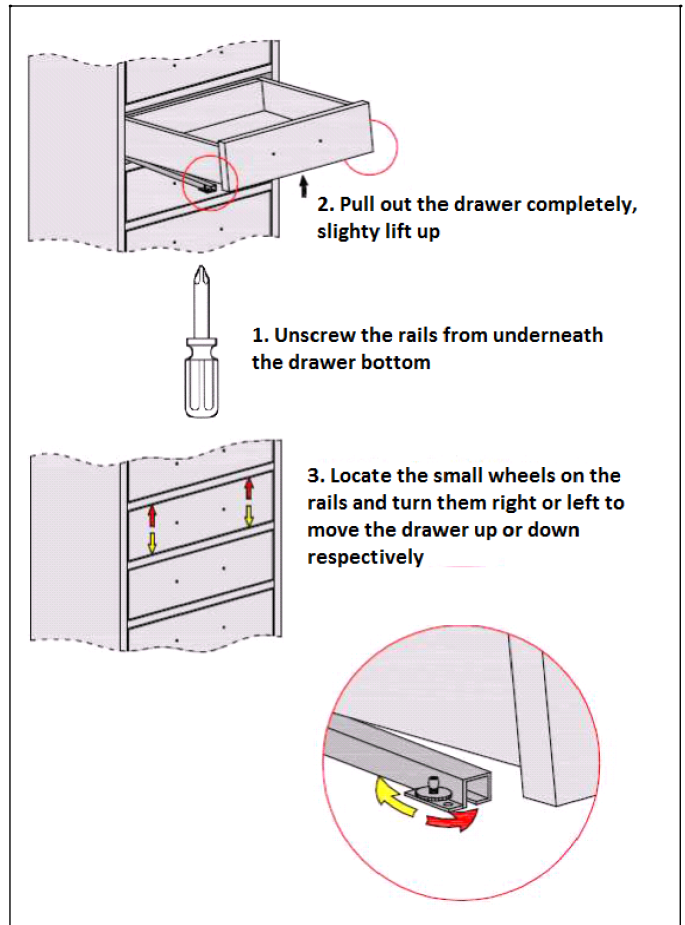
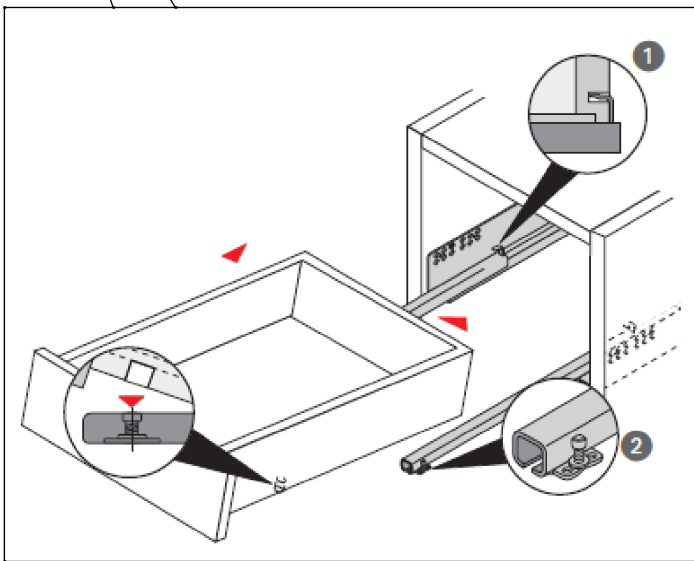
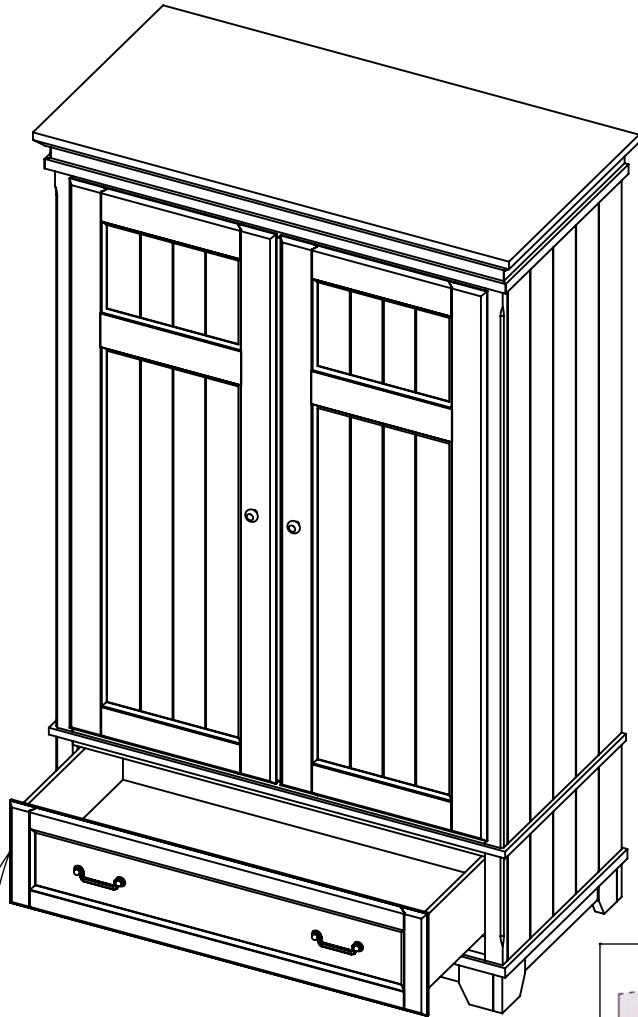


(D)

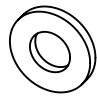
x2



# STEP 6







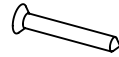
(A) X2



(B) X4



(C) X2



(D) X2

1 Step: Attach one plastic block to the back of the unit. Use screw D.

2 Step. Attach the 2nd plastic block to the wall. Own screws required.

3 Step. Push the unit to the wall. Make sure that the plastic blocks touch each other. Use the supplied plastic string and push it through the holes in both blocks. Fasten to secure.

