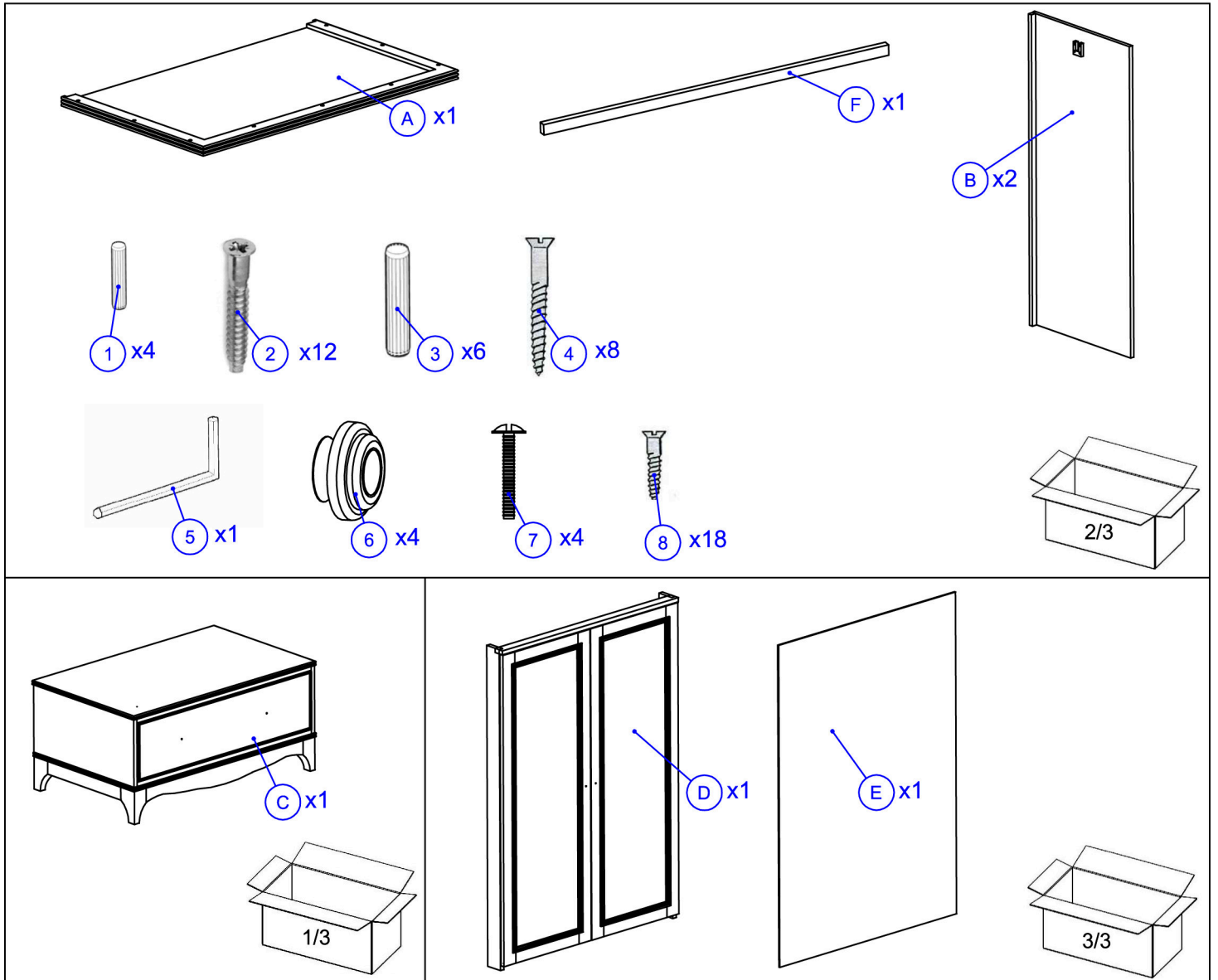
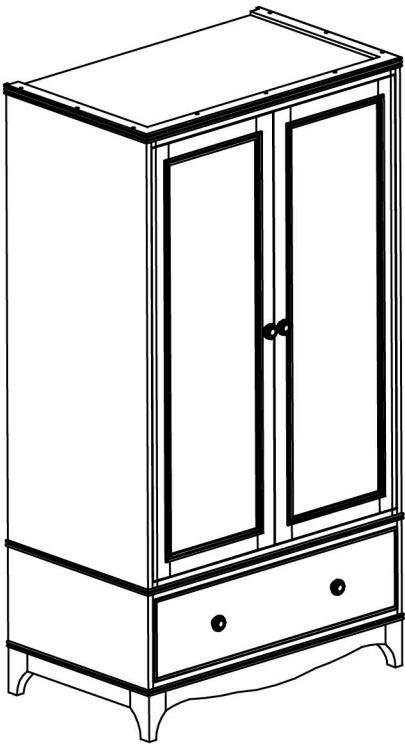
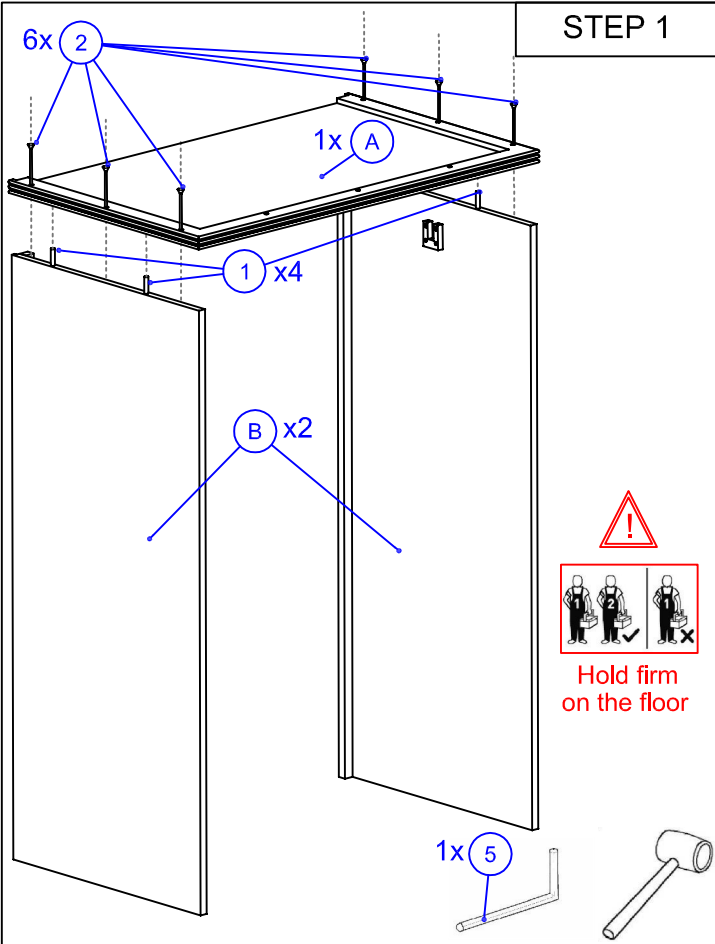


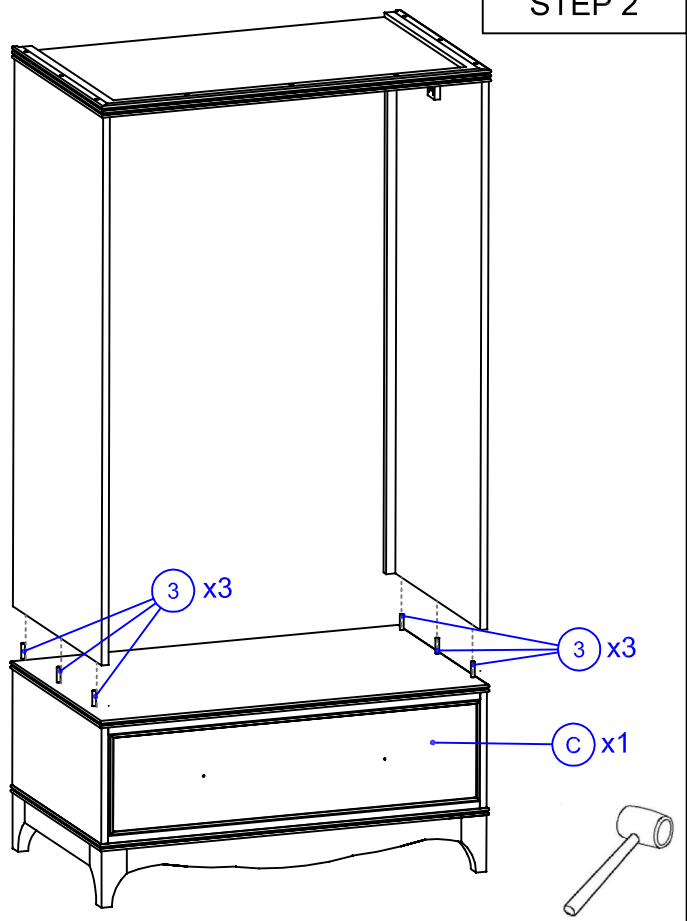
BROUGHTON PAINTED WARDROBE



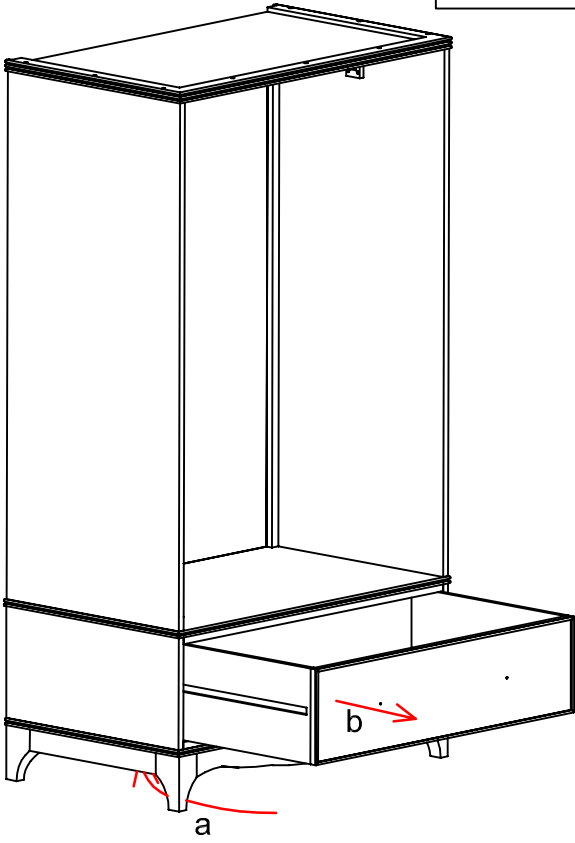
STEP 1



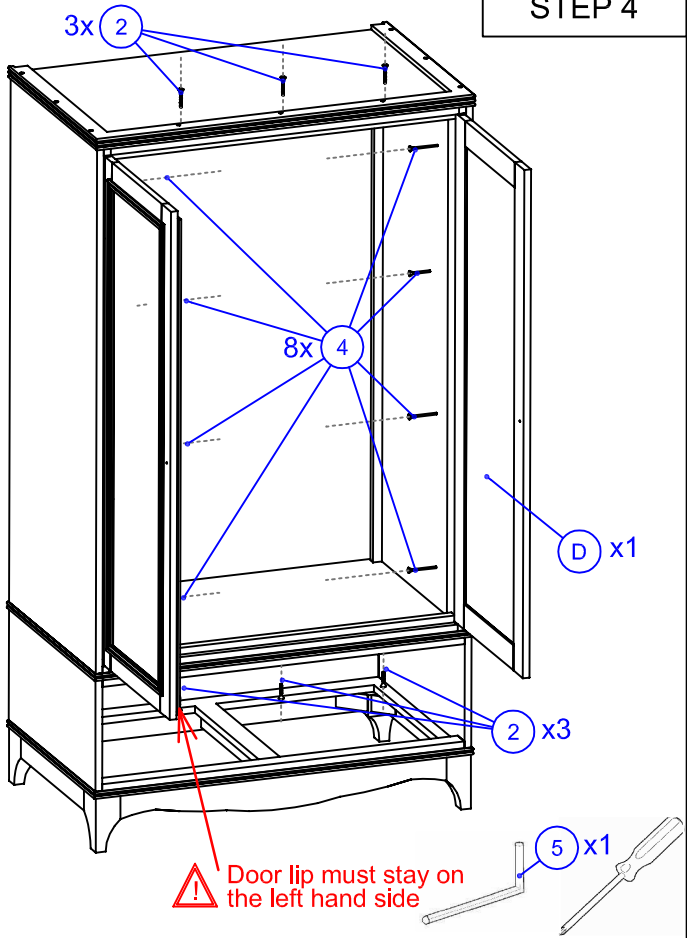
STEP 2



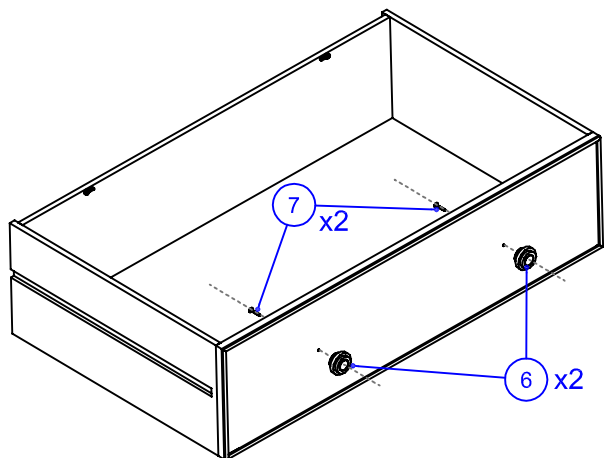
STEP 3



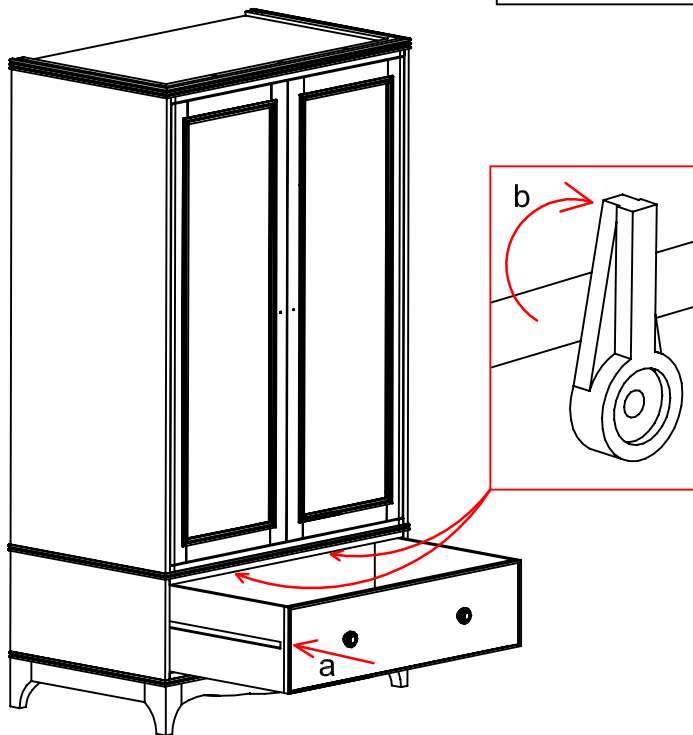
STEP 4



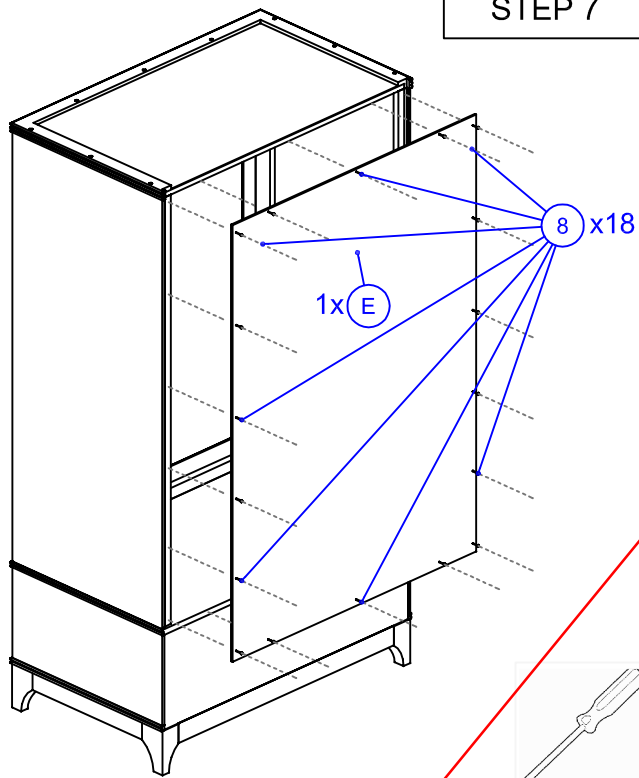
STEP 5



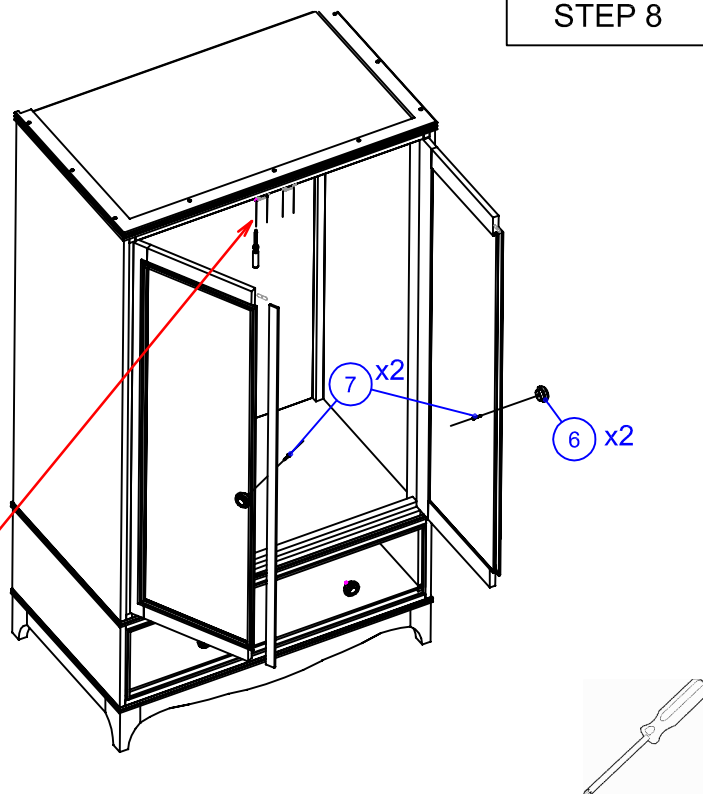
STEP 6



STEP 7

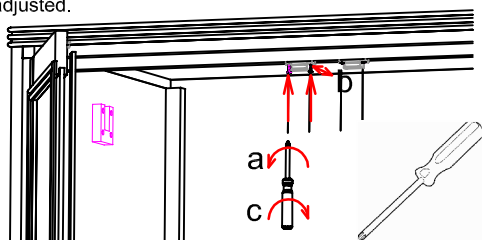


STEP 8

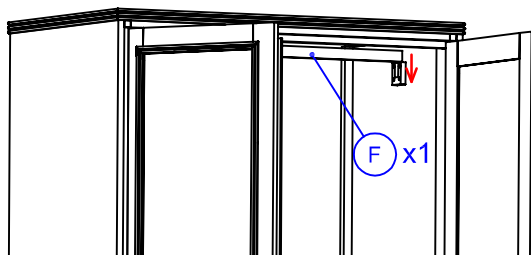


N.B. If the door does not shut properly, adjust the magnet moving it back or forward. Tighten the screws once adjusted.

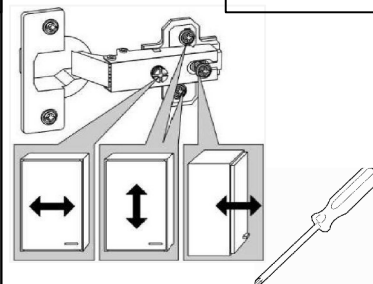
STEP 9



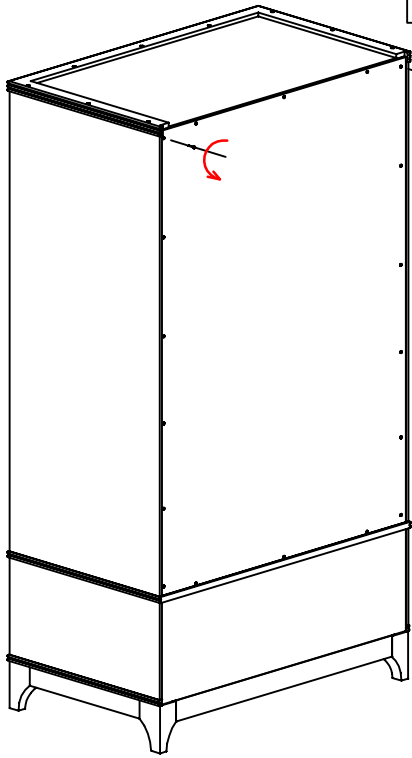
STEP 10



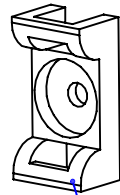
STEP 11



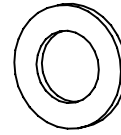
STEP 12



STEP 13,14,15



G x4



H x2



I x2



J x2

13 STEP: Attach one plastic fitting G to the back of the wardrobe. Use 1 fitting on either side of the back panel (use the pre-drilled holes in the back panel to attach the fittings). Use screw I.

14 STEP: Attach 2 other fittings G to the wall. Make sure the distance between the centres of the fittings is 996 mm (screws not supplied, please source screws that are relevant to the structure of your wall).

15 STEP: Push the unit to the wall. Make sure that the plastic fittings G touch each other. Use the supplied plastic string J and push it through the holes in both touching fittings. Fasten to secure.

