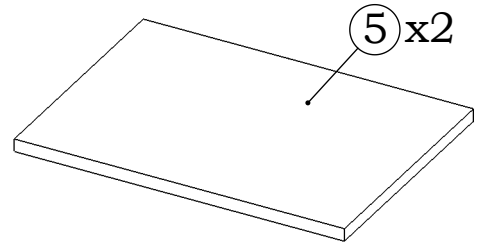
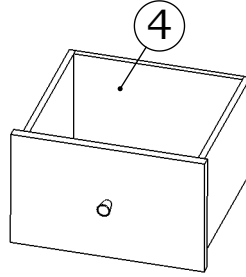
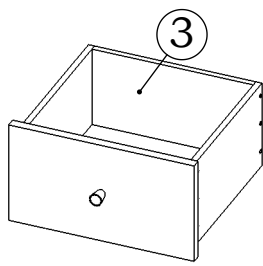
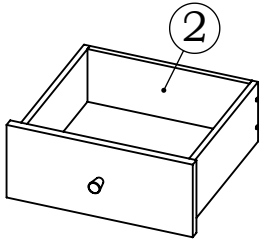
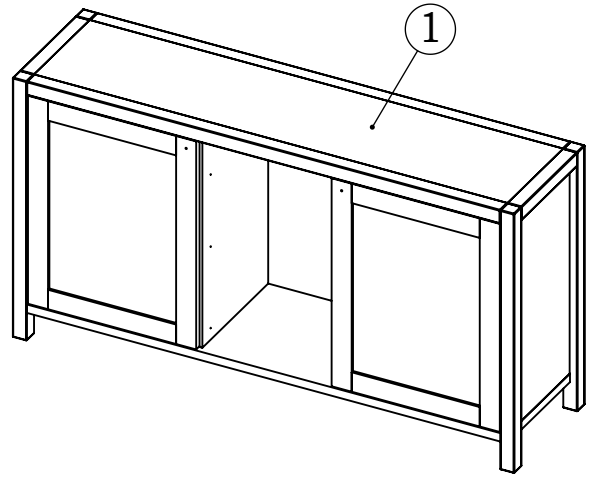
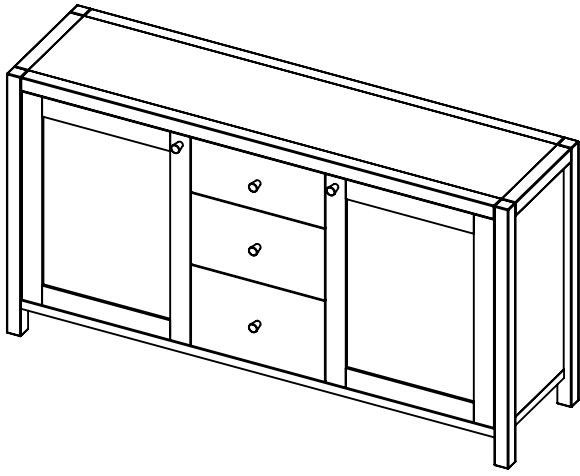
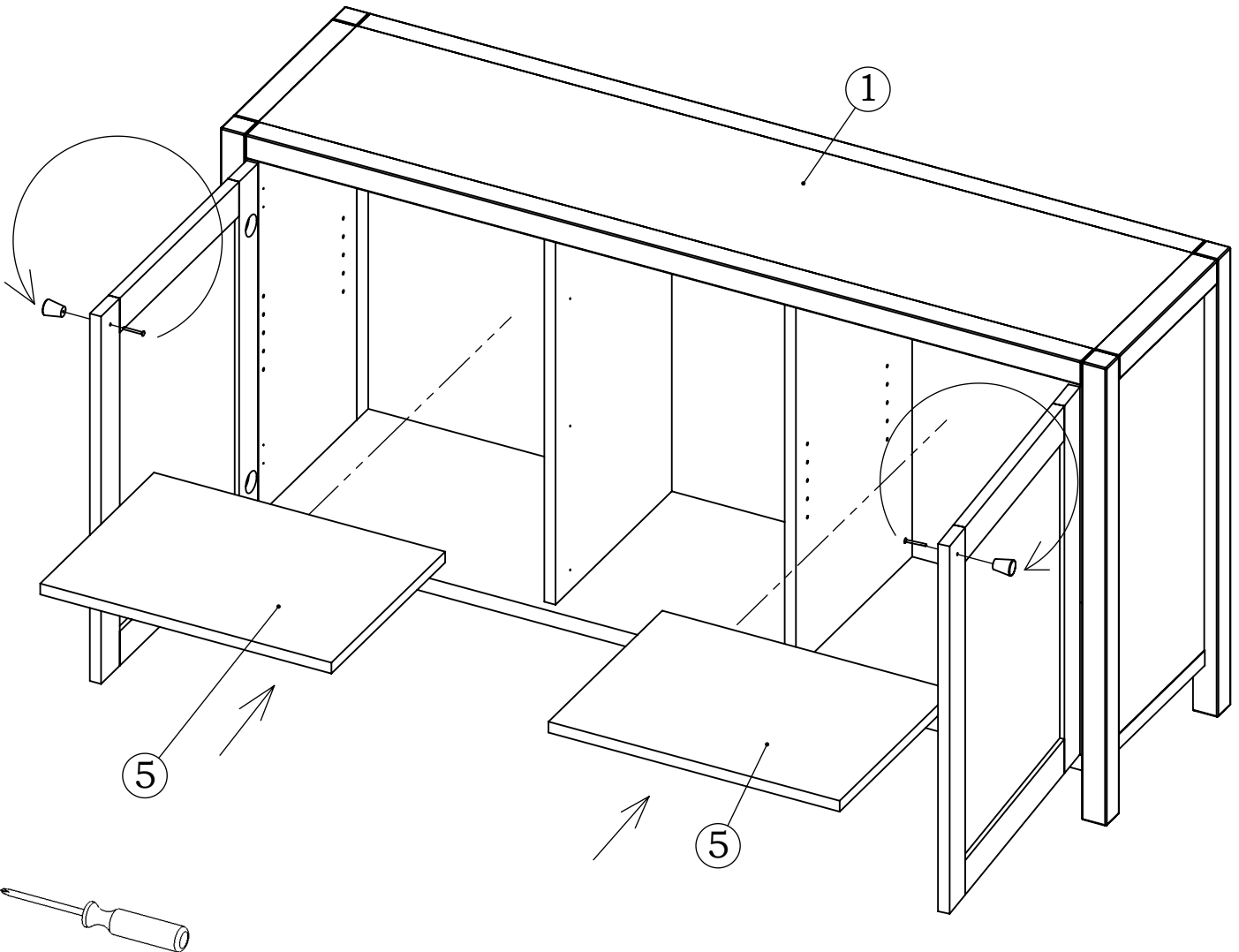


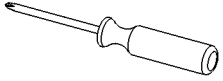
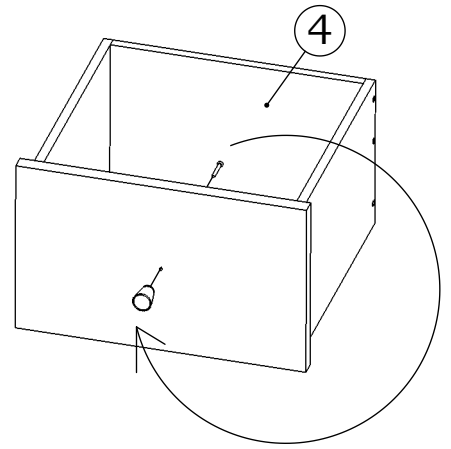
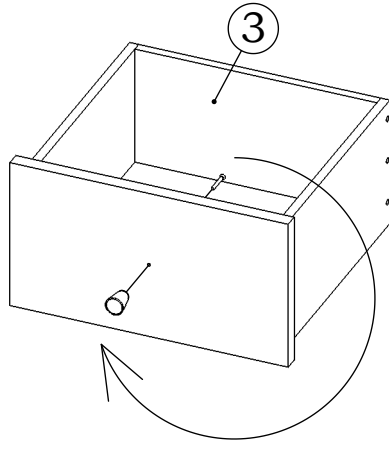
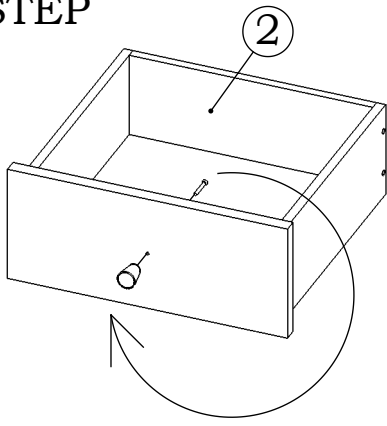
# BROMPTON OAK LARGE SIDEBOARD



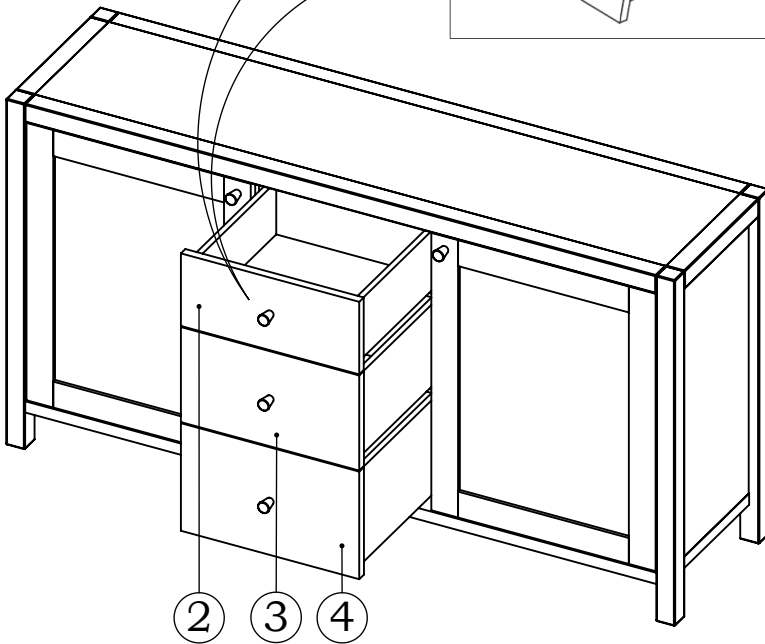
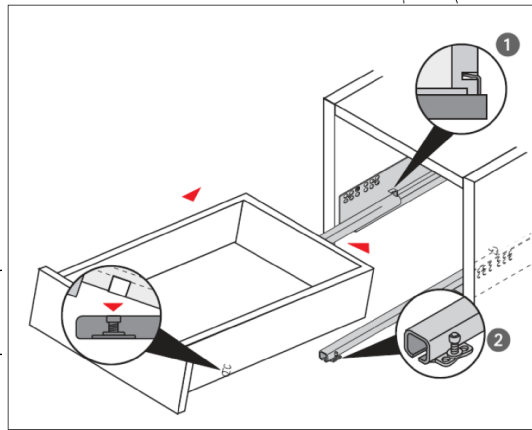
## 1 STEP



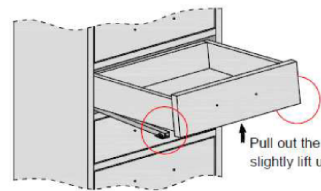
## 2 STEP



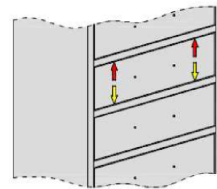
## 3 STEP



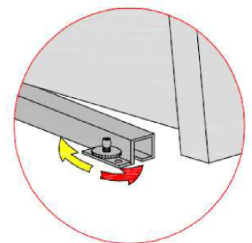
### INSTRUCTIONS TO LEVEL THE DRAWERS

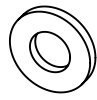


Pull out the drawer completely, slightly lift up the front



Locate the small wheels on the rails and turn them **right** or **left** to move the drawer **up** or **down** respectively





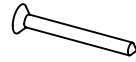
(A) X2



(B) X4



(C) X2

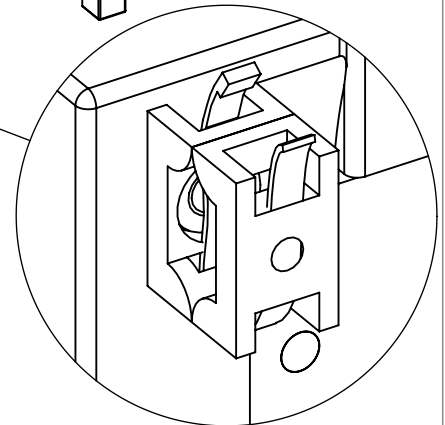
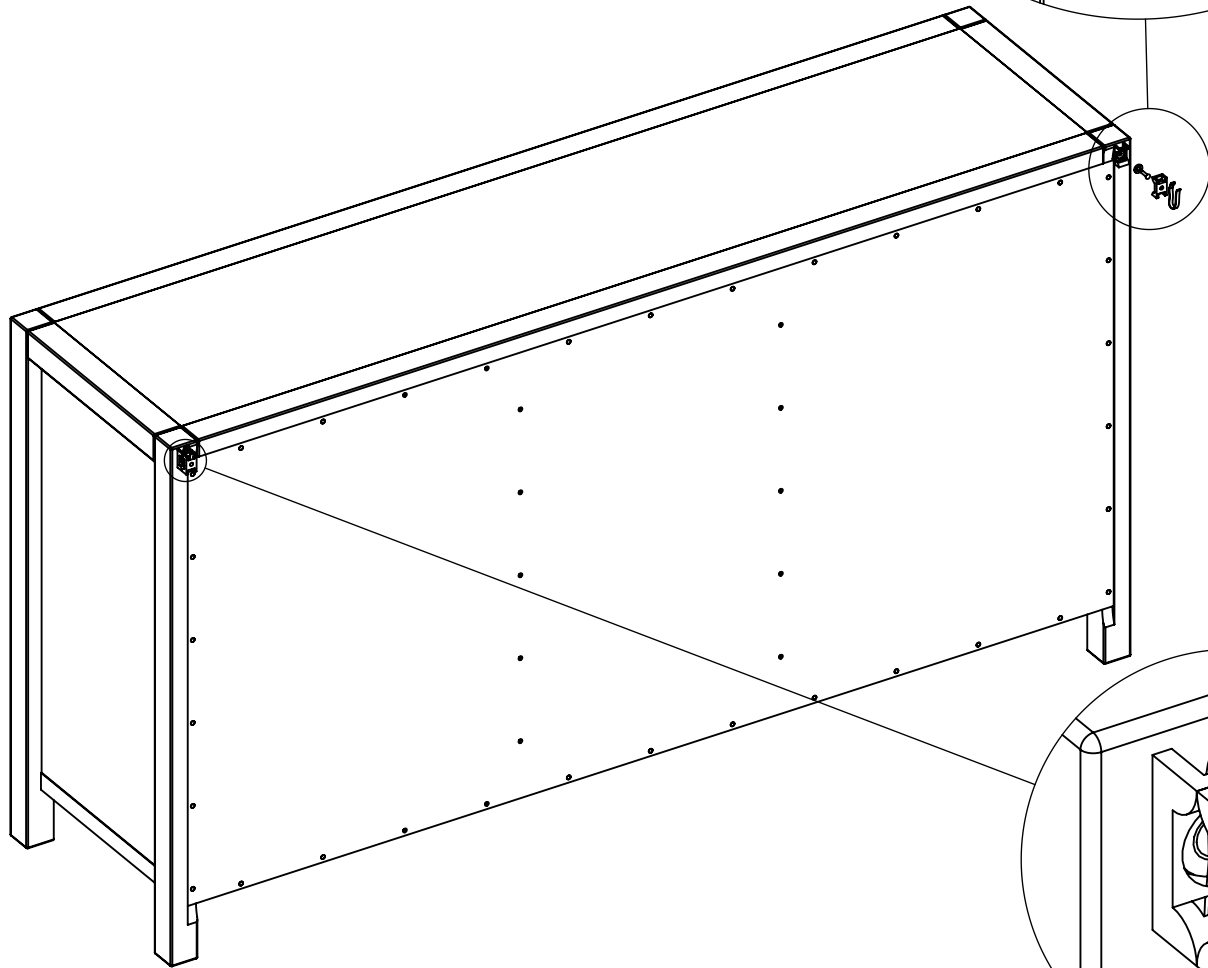
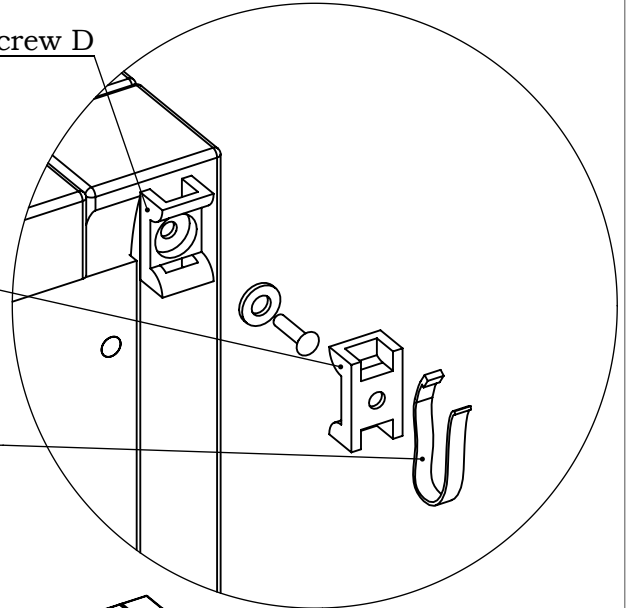


(D) X2

1 Step: Attach one plastic block to the back of the unit. Use screw D

2 Step. Attach the 2nd plastic block to the wall. Own screws required.

3 Step. Push the unit to the wall. Make sure that the plastic blocks touch each other. Use the supplied plastic string and push it through the holes in both blocks. Fasten to secure.



If you have any queries with this product please contact Laura Ashley Customer Services Tel: 08719835999  
Important - Retain these instructions for future reference