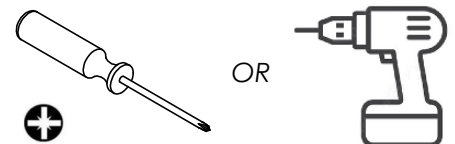
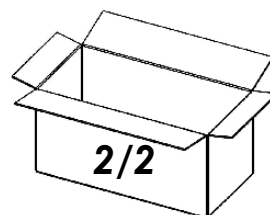
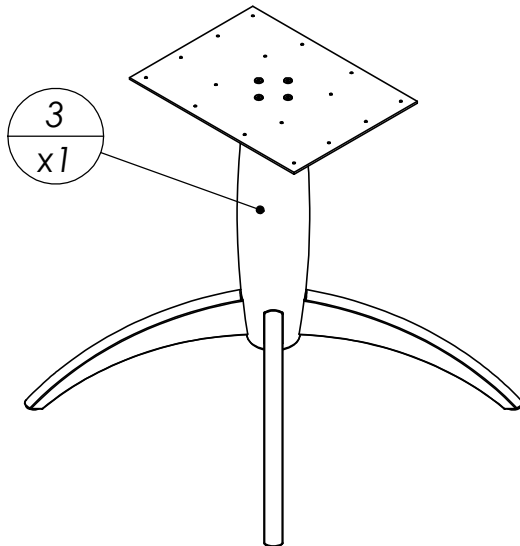
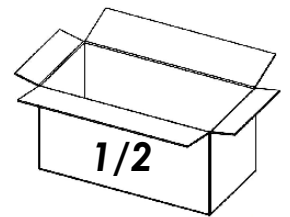
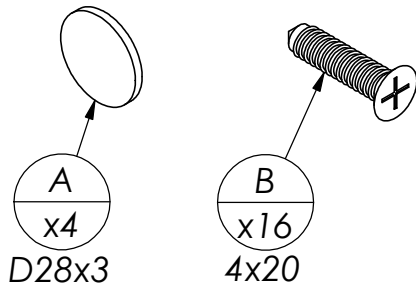
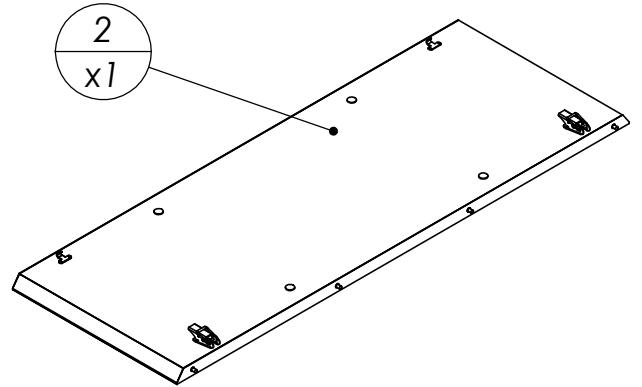
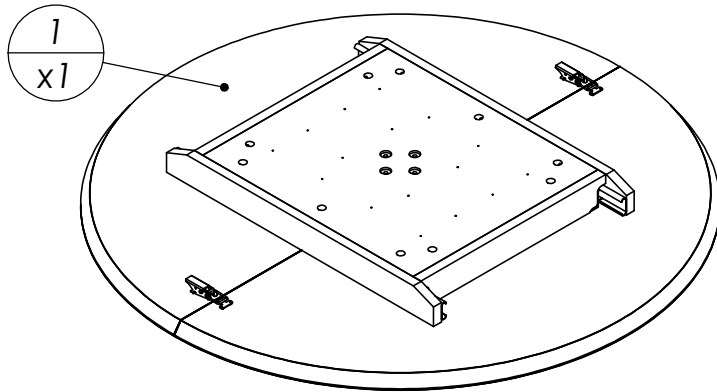


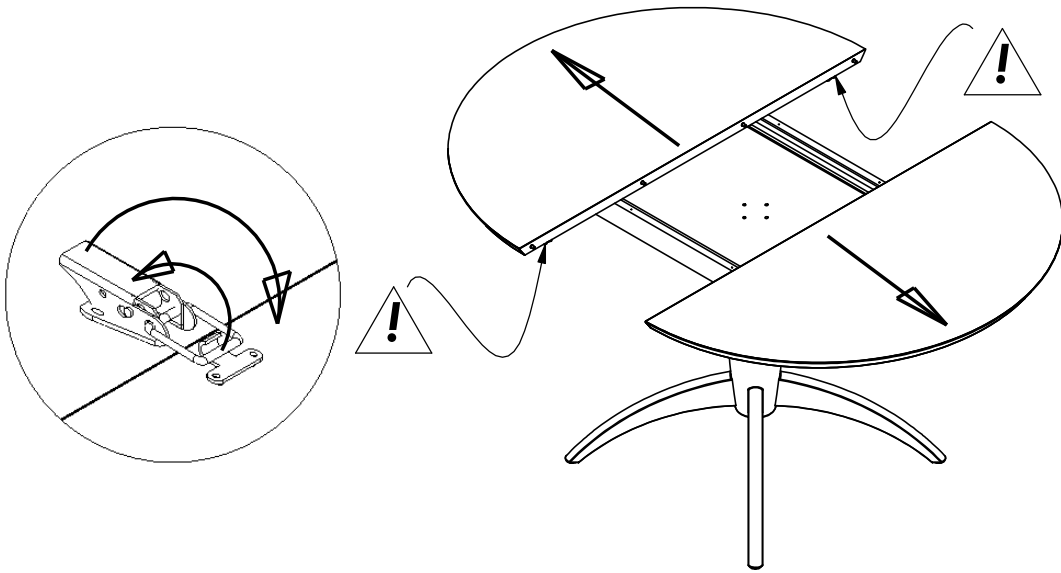
# BRECON EXTENDING ROUND DINING TABLE



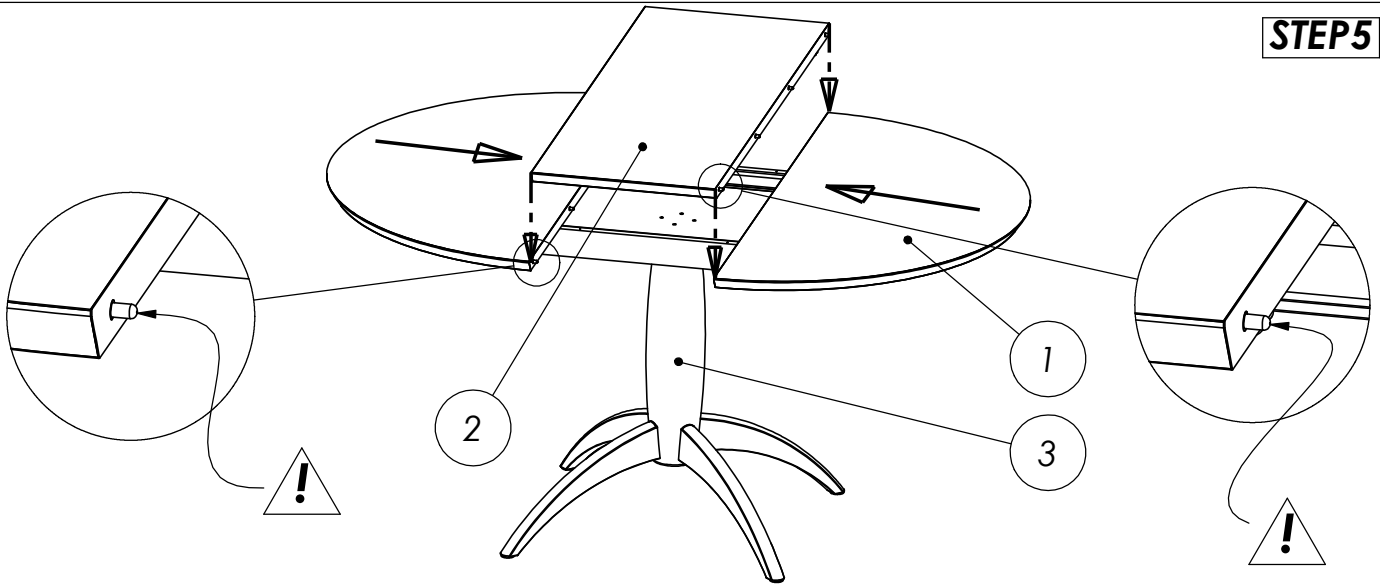
Important - retain these instructions for future reference



**STEP 4**



**STEP 5**



**STEP 6**

