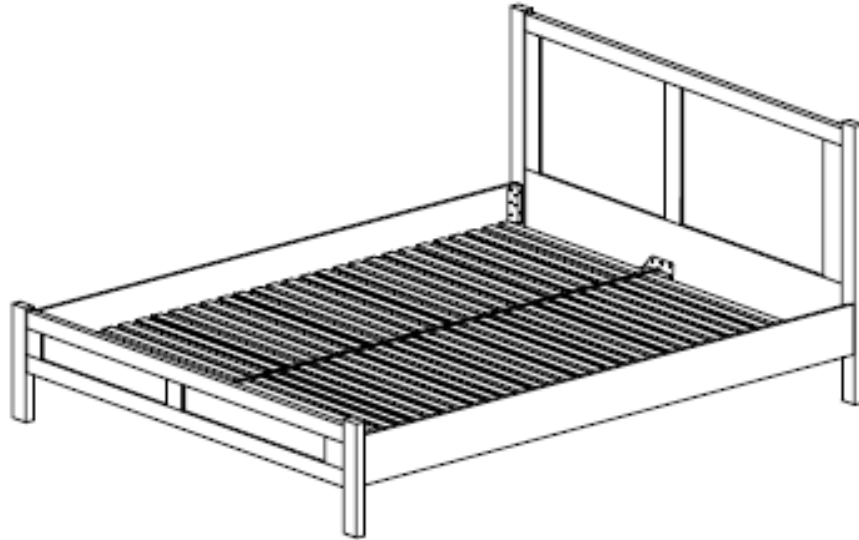


Laura Ashley

ASHWELL Bed

Thank you for purchasing this product. Please read the instructions carefully before use to ensure safe and satisfactory operation of this product.



Please ensure instructions are read in full before commencing with this product.

Necessary Tools:



Allen Key (included)

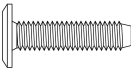

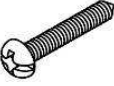



Please check the pack contents before you begin. A full checklist of components is given in this leaflet. If any components are missing, please contact the retailer from whom you bought this product.

Safety Advice and Assembly Recommendations

- Do not stand or lean on this product.
- Make sure the area is clear when unpacking and positioning this product.
- This product is **heavy**, it should be assembled as near as possible to the point of use.
Take care when lifting to avoid personal injury and or damage to the product.
- Keep small children/pets away from assembly area. This product has small component parts that are a choking hazard.
- Make sure you assemble this product correctly as per the instructions and ensure all fittings are tight.
- **A minimum of two persons is require to lift the Bed into position**
- **We recommend that the packaging is used to protect the surfaces during assembly.**

Fittings and parts checklist

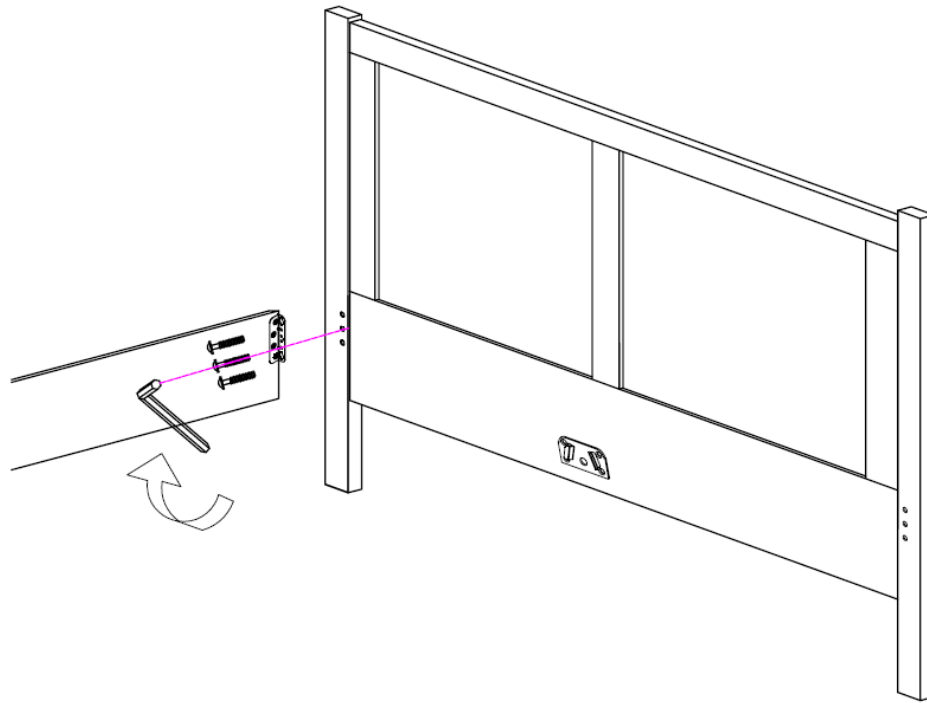
A	Bolt x 12		D	Allen Key x 1	
B	Screw Ø 3.5 x25 x 12				
C	Dowel x 8				

Step by step assembly instructions

A minimum of two persons is required to assemble this product.

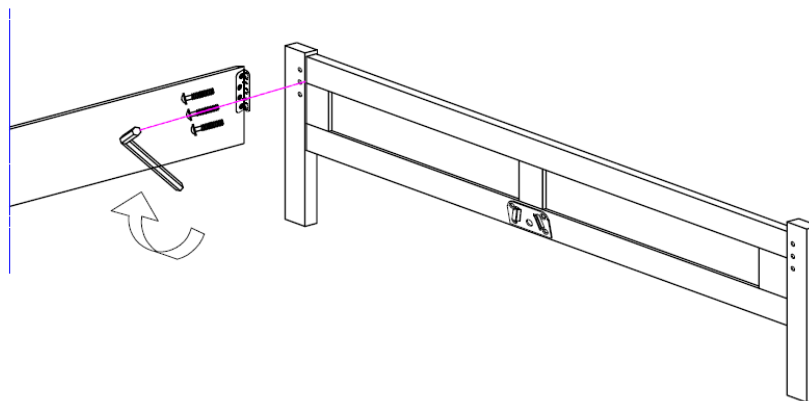
Step One

- Attach Side Rails to Headboard



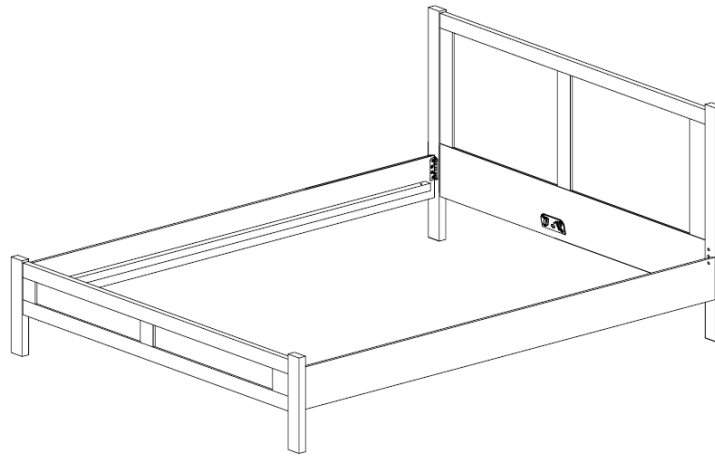
Step Two

- Attach Side rail to the Footboard using Bolt



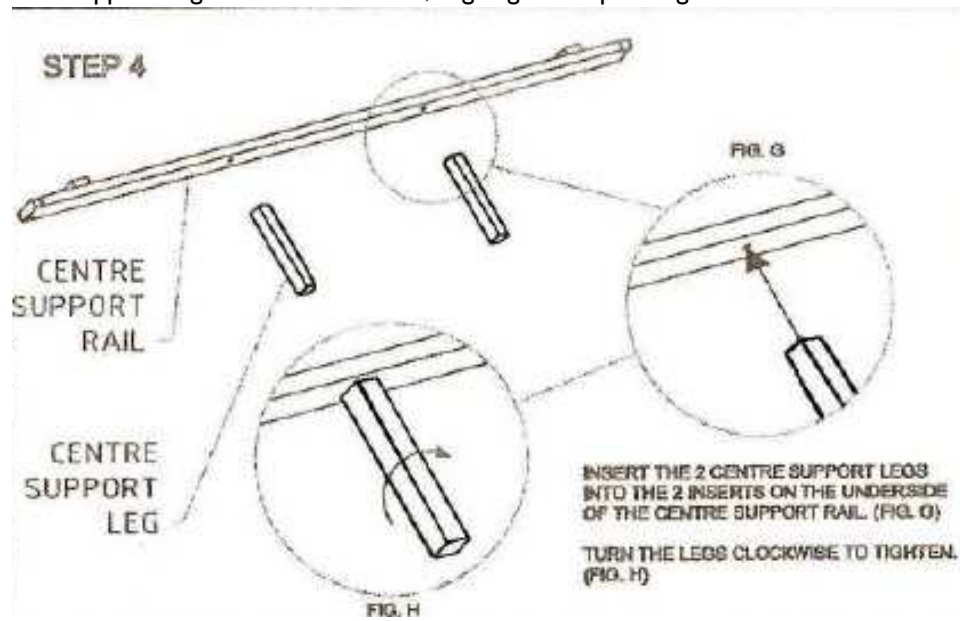
Step Three

- Repeat step two with the other side rail, then connect the side rails to the footboard and assembly in the same manner



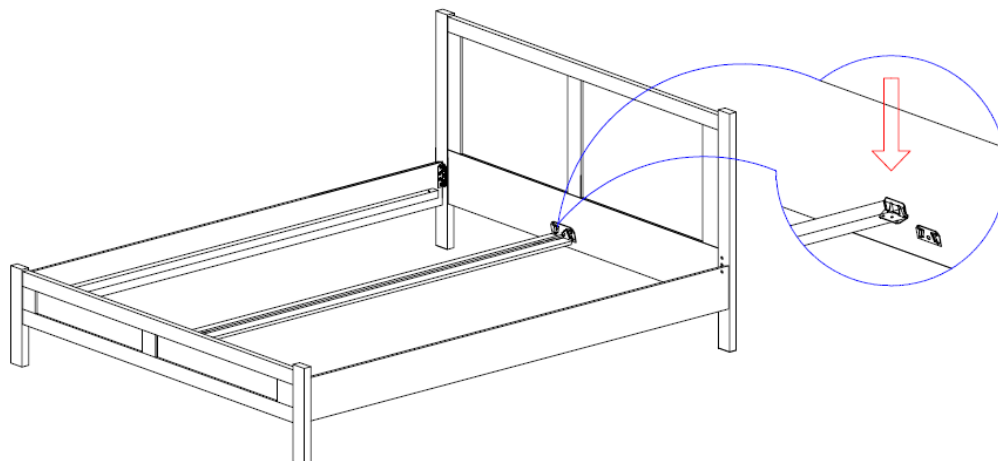
Step Four

- Fit 2 x Adjustable Support Legs onto Centre Rail, aligning corresponding holes.



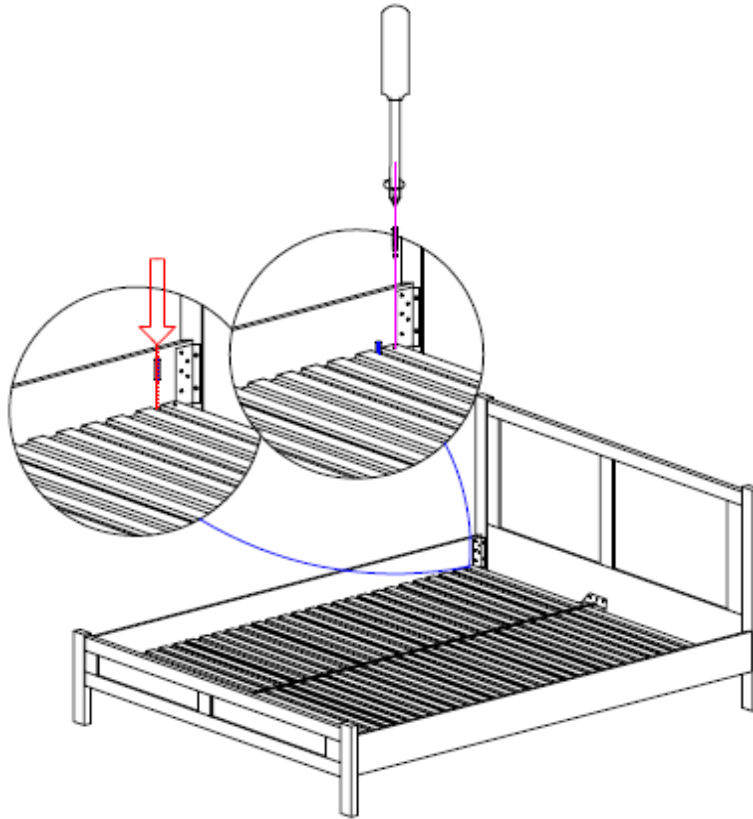
Step Five

- Fit metal brackets on each end of Centre Rail into each metal brackets on Headboard & Footboard. Firmly press each into position until brackets are fully engaged.



Step Six

- Attach 8 Wood Dowels to 2 x Side Rails
- Place the Slat assembly onto support ledge of each Side Rail and Centre Rail .
aligning holes in slats with the holes in support ledges. Secure with 12 Screws, fully tighten all screws with screwdriver.



Step seven

- Repeat with the other Slat support
- To compensate for uneven floors, adjust levelers on adjustable support legs, as necessary.

Care and Maintenance. Please refer to Laura Ashley Care Guide

PLEASE KEEP THESE INSTRUCTIONS FOR FUTURE REFERENCE

**If you have any queries with this product please contact
Laura Ashley Customer Services. Tel: 08719835999**

www.lauraashley.com