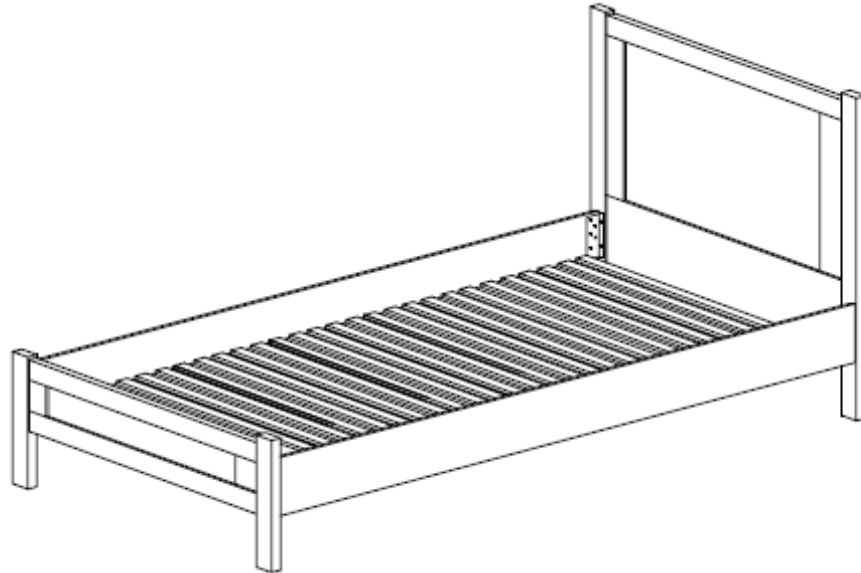


Laura Ashley

# ASHWELL Single Bed

Thank you for purchasing this product. Please read the instructions carefully before use to ensure safe and satisfactory operation of this product.

---



---

Please ensure instructions are read in full before commencing with this product.

---

**Necessary Tools:**  **Allen Key (included)** 

---

Please check the pack contents before you begin. A full checklist of components is given in this leaflet. If any components are missing, please contact the retailer from whom you bought this product.

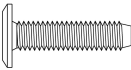



---

## **Safety Advice and Assembly Recommendations**

---

- Do not stand or lean on this product.
- Make sure the area is clear when unpacking and positioning this product.
- This product is **heavy**, it should be assembled as near as possible to the point of use.  
**Take care when lifting** to avoid personal injury and or damage to the product.
- Keep small children/pets away from assembly area. This product has small component parts that are a choking hazard.
- Make sure you assemble this product correctly as per the instructions and ensure all fittings are tight.
- **A minimum of two persons is require to lift the Bed into position**
- **We recommend that the packaging is used to protect the surfaces during assembly.**

# Fittings and parts checklist

<b>A</b>	Bolt x 12		<b>D</b>	Allen Key x 1	
<b>B</b>	Screw Ø 3.5 x25 x 6				
<b>C</b>	Dowel x 4				

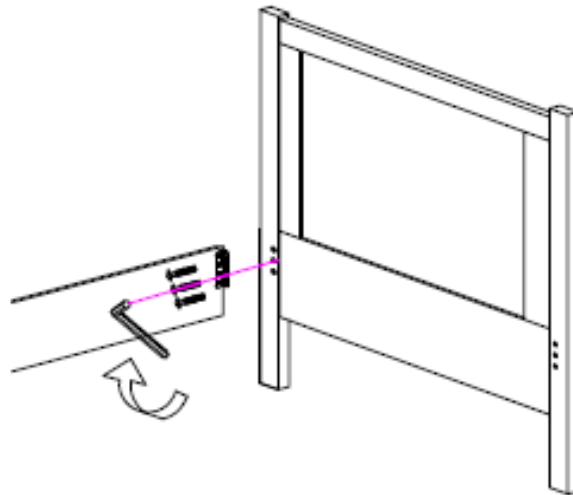
## Step by step assembly instructions

---

A minimum of two persons is required to assemble this product.

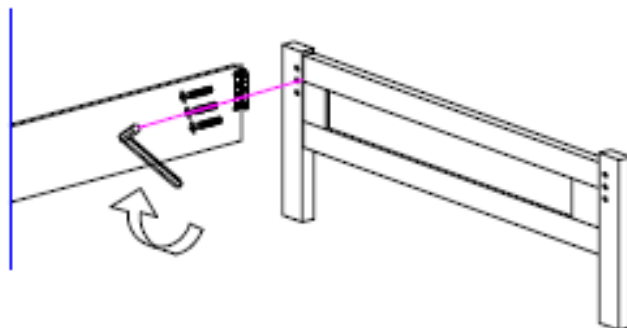
### Step One

- Attach Side Rails to Headboard



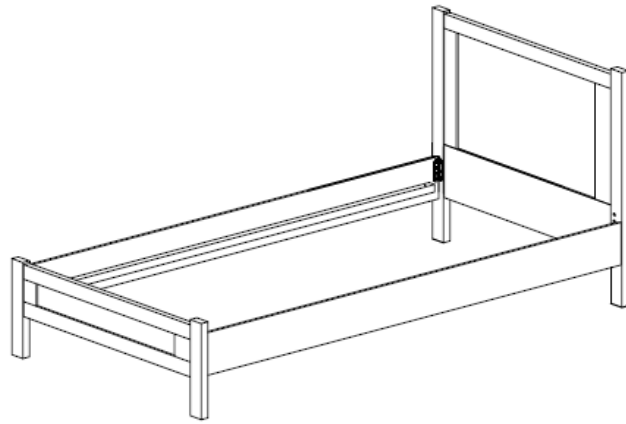
### Step Two

- Attach Side rail to the Footboard using Bolt



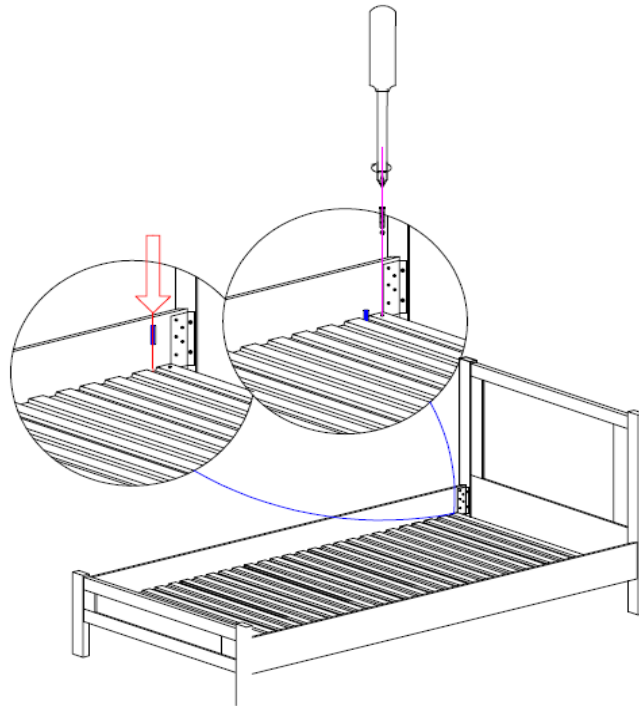
### Step Three

- Repeat step two with the other side rail, then connect the side rails to the footboard and assembly in the same manner



### Step Four

- Attach 4 Wood Dowels to 2 x Side Rails
- Place the Slat assembly onto support ledge of each Side Rail , aligning holes in slats with the holes in support ledges. Secure with 6 Screws, fully tighten all screws with screwdriver.



---

**Care and Maintenance.** Please refer to Laura Ashley Care Guide

**PLEASE KEEP THESE INSTRUCTIONS FOR FUTURE REFERENCE**

**If you have any queries with this product please contact  
Laura Ashley Customer Services. Tel: 08719835999**

[www.lauraashley.com](http://www.lauraashley.com)