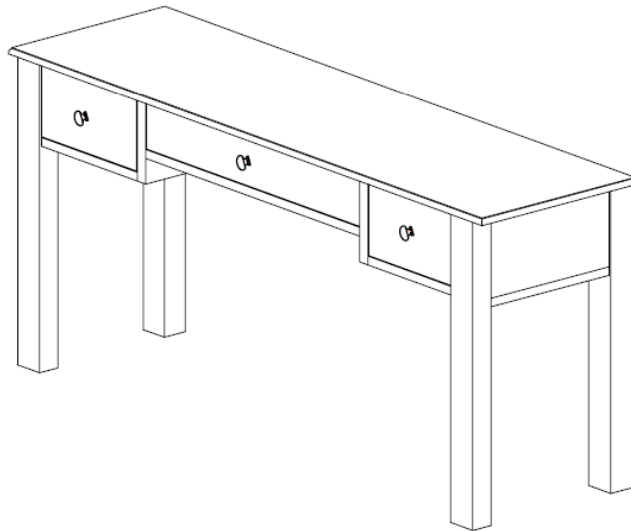




Laura Ashley

ASHWELL DRESSING TABLE

Thank you for purchasing this product. Please read the instructions carefully before use, to ensure safe and satisfactory operation of this product.



Please ensure instructions are read in full before commencing with this product.

Please check the pack contents before you begin. A full checklist of components is given in this product.

Safety Advice and Assembly Recommendations

Do not stand or lean on this product.

Make sure the area is clean when unpacking and positioning this product.

Take care when lifting, to avoid personal injury and or damage to the product.

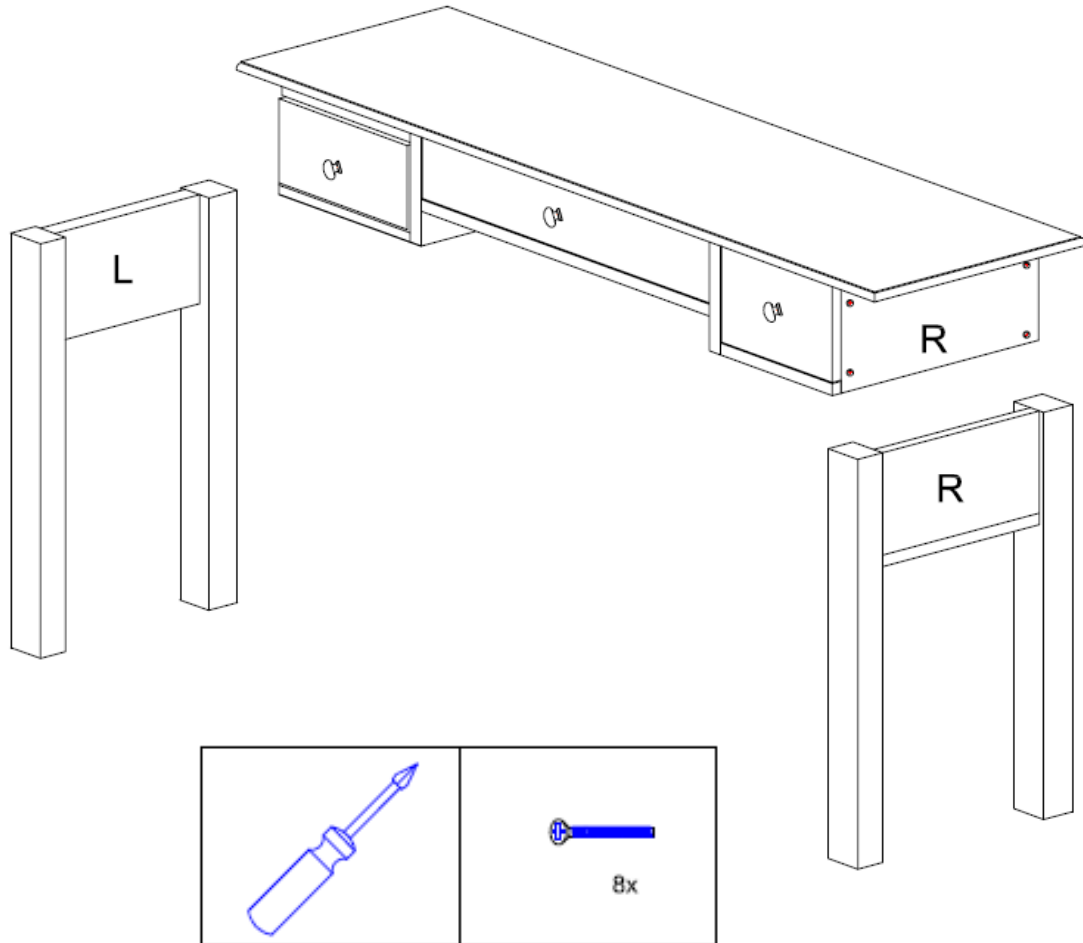
Keep small children / pets away from assembly area.

This product has small component parts that are a choking hazard.

Make sure you assemble this product correctly as per the instruction and ensure all fittings are tight.

We kindly recommend that the packaging is used to protect the surface during assembly.

Fittings and parts checklist:

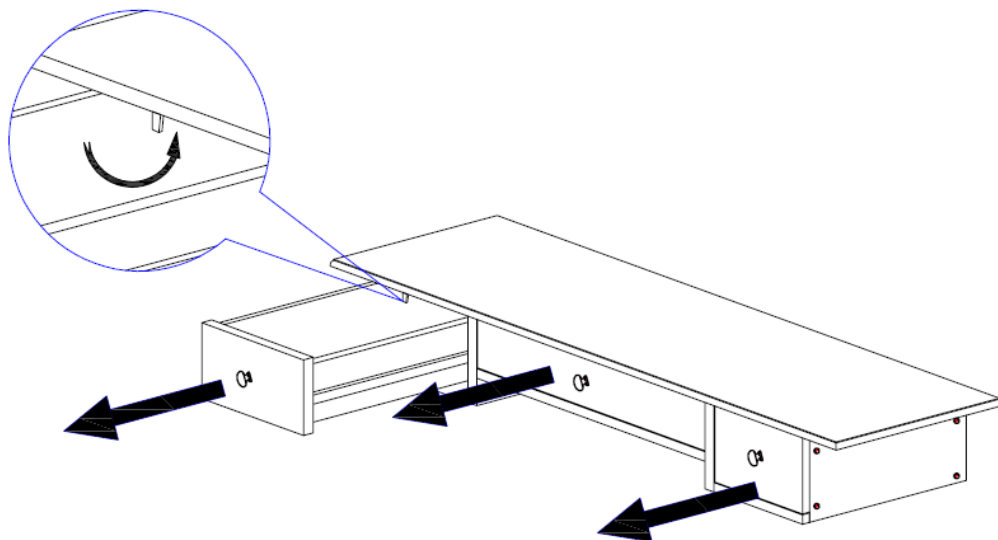


Step by step assembly instruction

A minimum of two persons is required to assemble this product

Step One

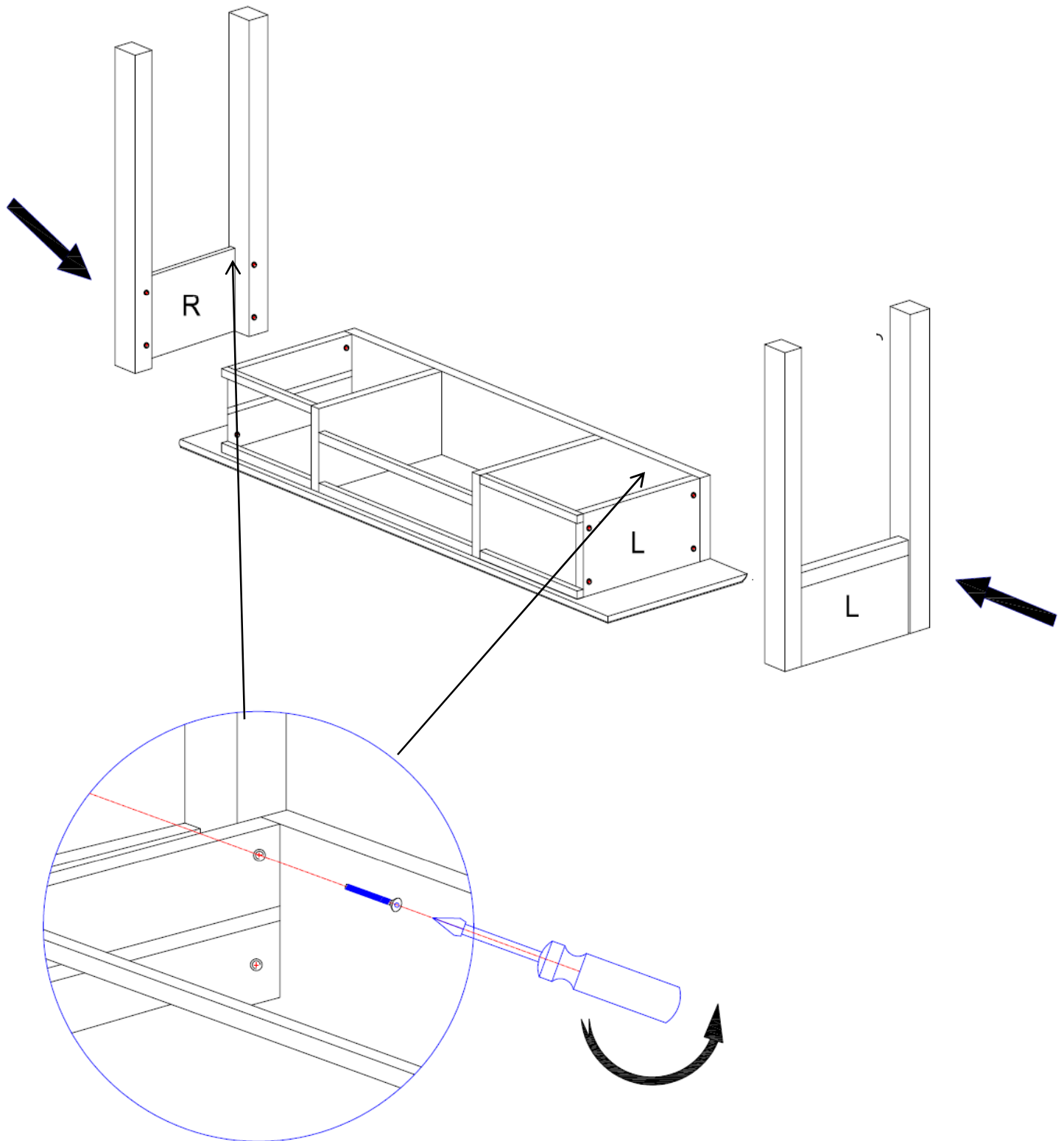
Carefully remove drawers before assembly. The rotating drawer stoppers are inside, they must be first disengaged as shown.



Step two

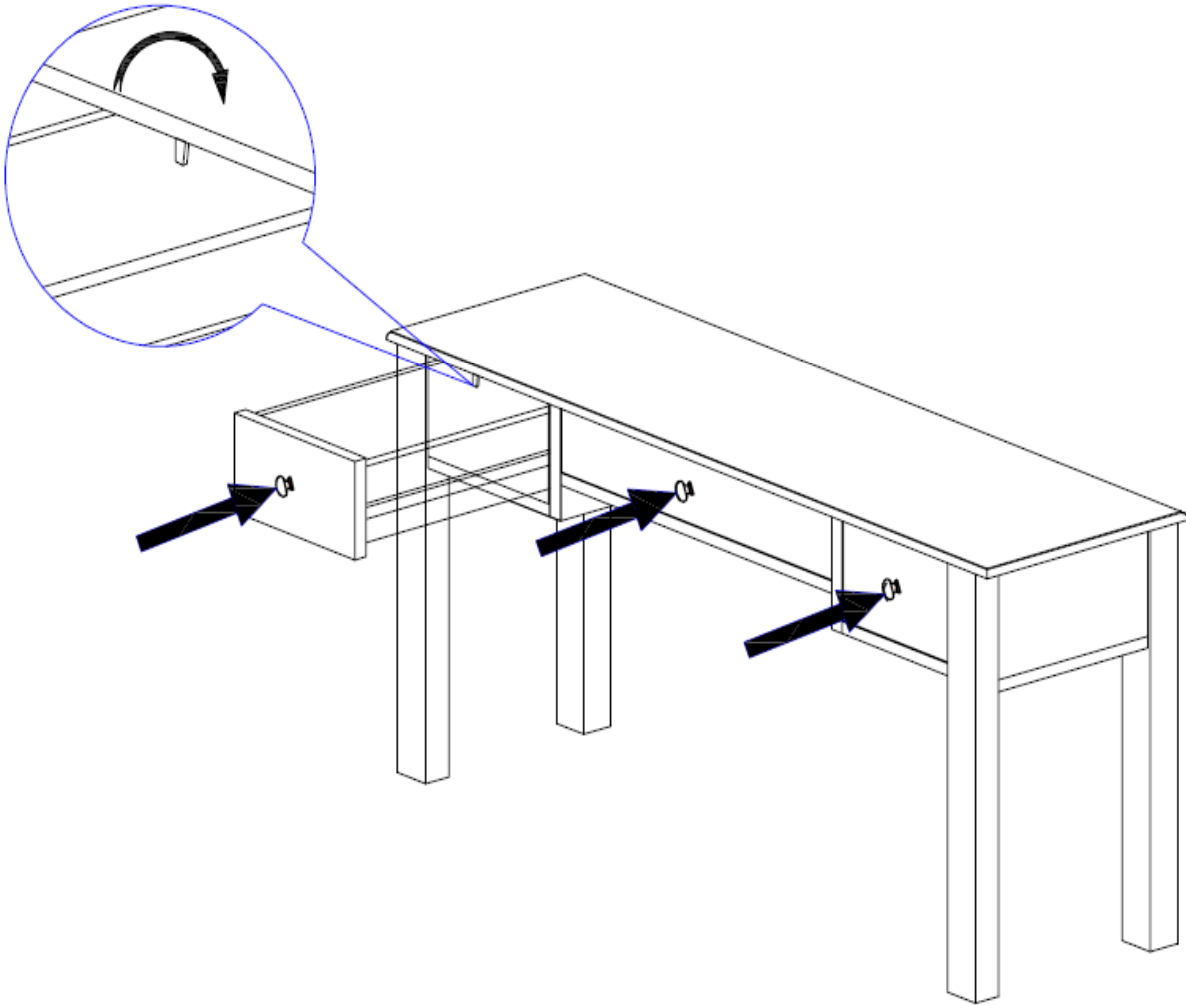
-Position legs on correct side of carcass and ensure front edge of leg is flush to front rail.

- Attach using 4 bolts on each side as shown. Ensure bolts are fully tightened.



Step three

- Carefully lift the table, turn, and place upright (do not lean weight of table against 2 legs when turning). Replace drawer and return rotating stops to their original position.



Care and Maintenance: please refer to Laura Ashley Care Guide.

PLEASE KEEP THESE INSTRUCTIONS FOR FUTURE REFERENCE

If you have any queries with this product please contact Laura Ashley Customer Service. Tel.: 08719835999