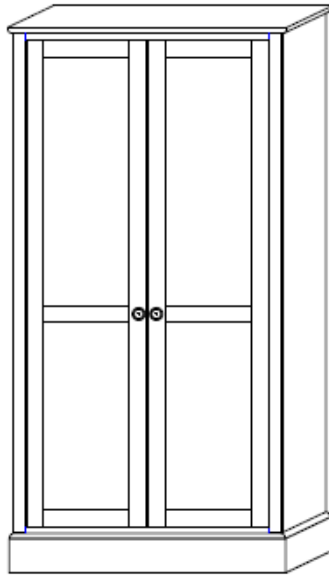




Laura Ashley

ASHWELL 2 DOOR WARDROBE

Thank you for purchasing this product. Please read the instructions carefully before use, to ensure safe and satisfactory operation of this product.



Please ensure instructions are read in full before commencing with this product.

Please check the pack contents before you begin. A full checklist of components is given in this product.

Safety Advice and Assembly Recommendations

Do not stand or lean on this product.

Make sure the area is clean when unpacking and positioning this product.

Take care when lifting, to avoid personal injury and or damage to the product.

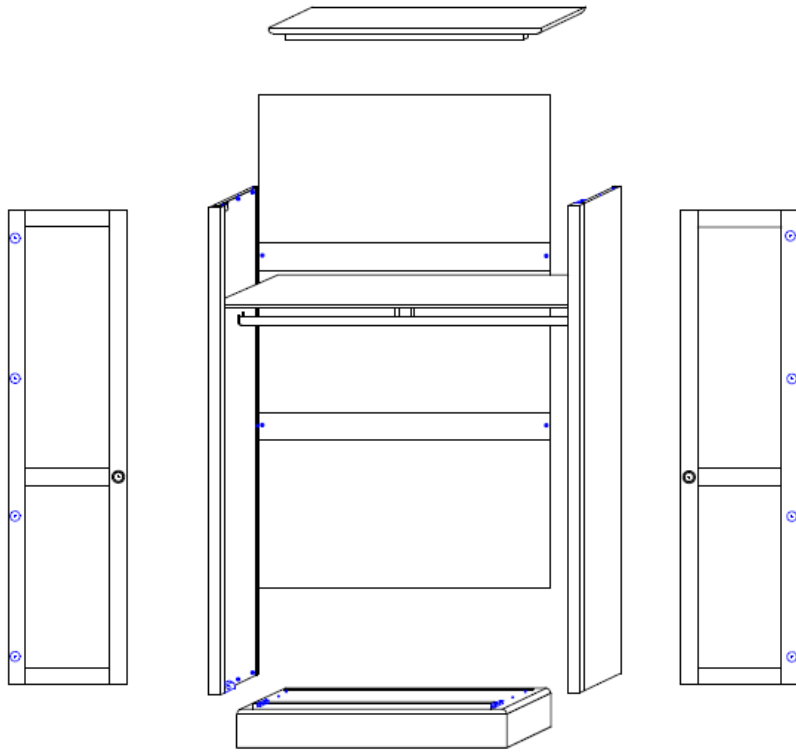
Keep small children / pets away from assembly area.






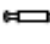
This product has small component parts that are a choking hazard.

Make sure you assemble this product correctly as per the instruction and ensure all fittings are tight.

We kindly recommend that the packaging is used to protect the surface during assembly.

Fittings and parts checklist:



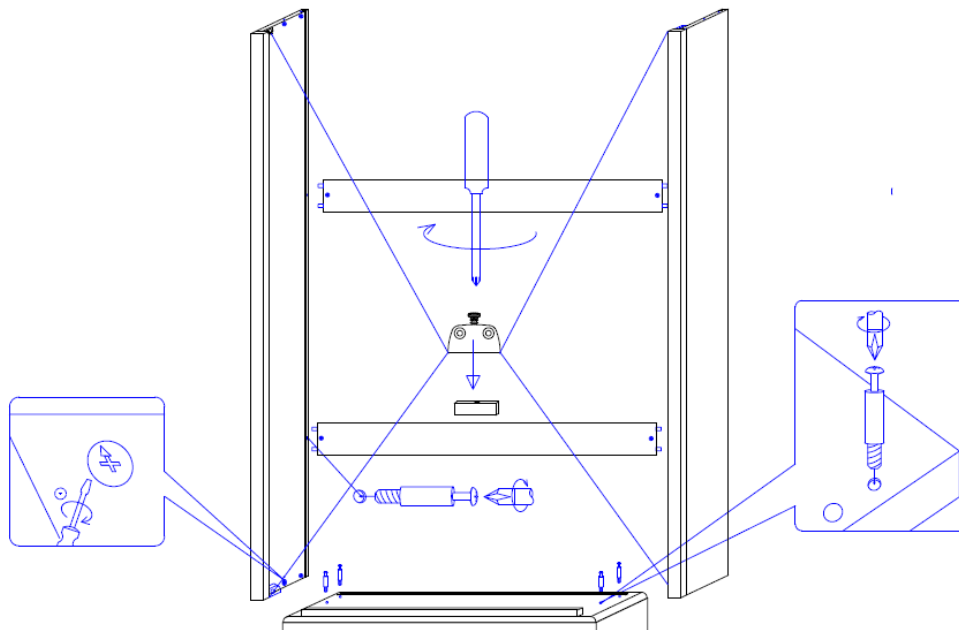
 X4	 X 20	 X2	 X2
 x12	 x12		

Step by step assembly instruction

A minimum of two persons is required to assemble this product

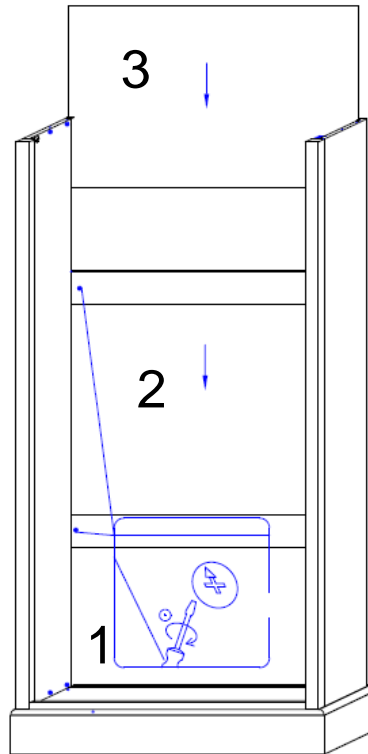
Step One

Attach the two side panels to the bottom section via the fittings



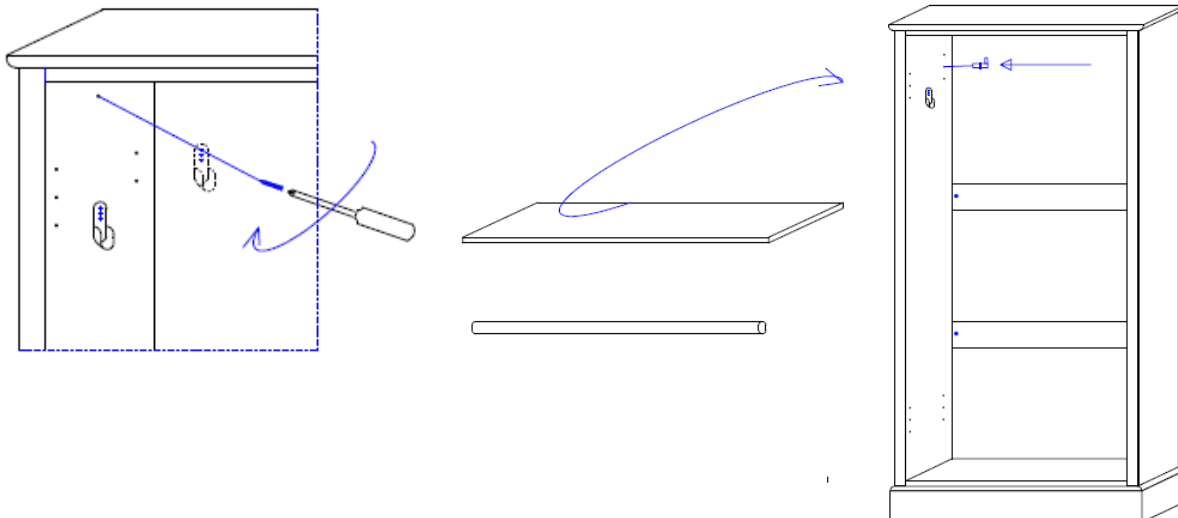
Step two

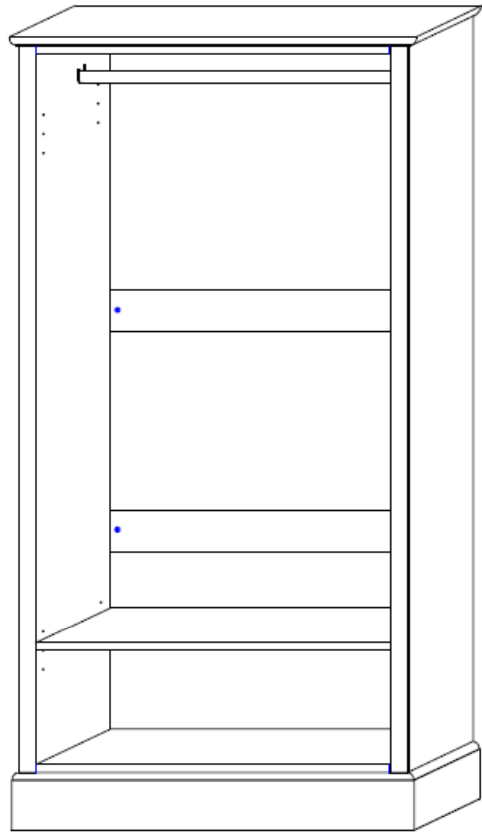
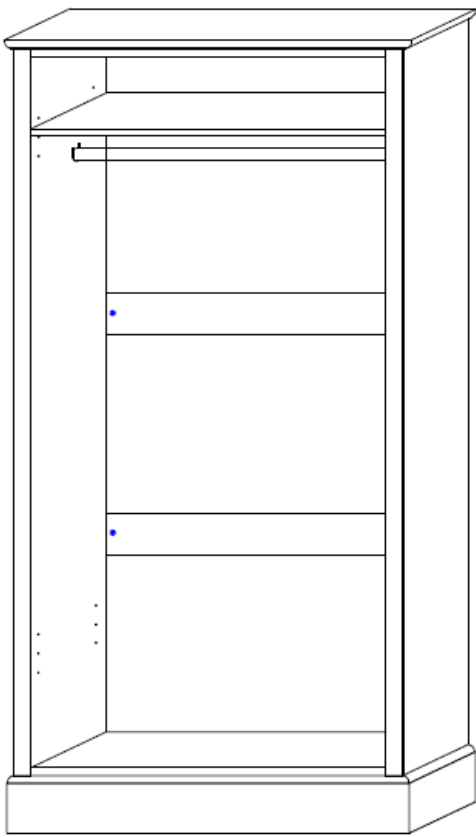
- Slide the back panels and middle rail into place . Pay attention on the numbering .
- Secure the back panels to the side panels
- Secure the top section to the side and back panels, tightening all fittings.



Step three

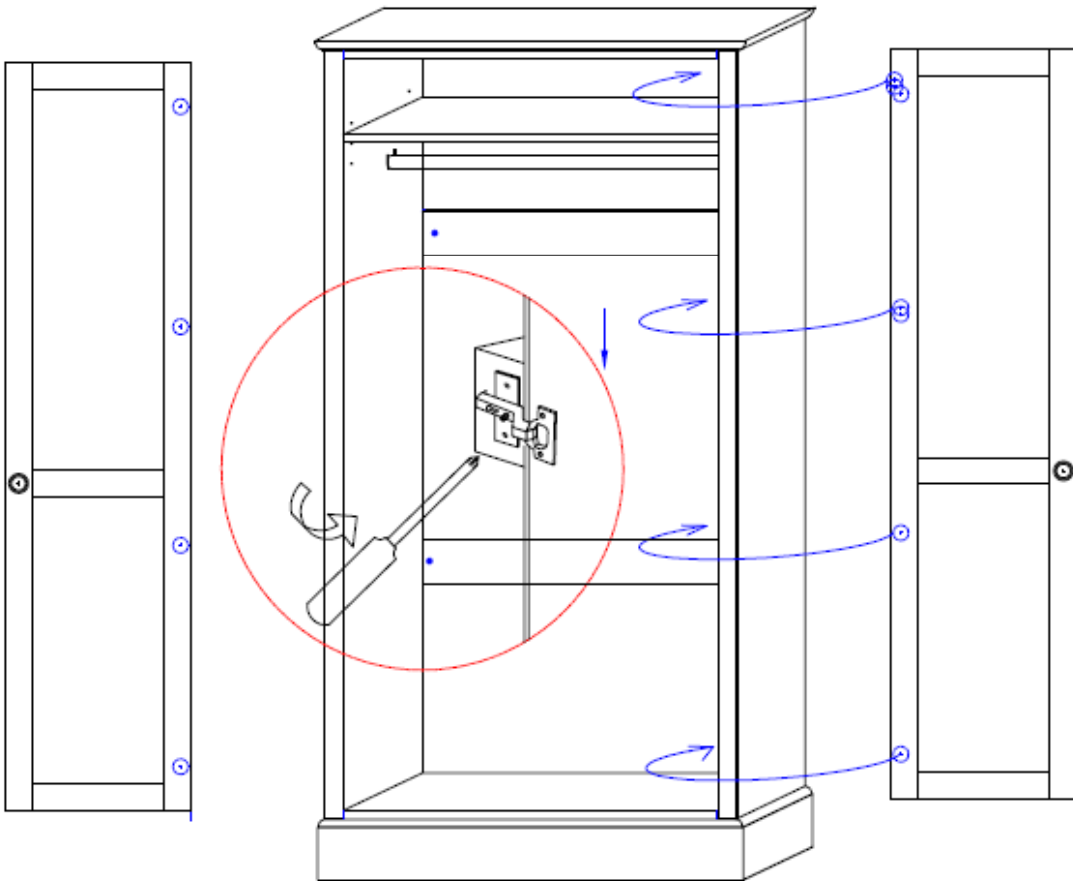
- The shelves are adjustable and can be placed in three different positions, in two different areas of the item. Either at the top of the product or at the bottom.
- Depending on your chosen shelf position, secure your clothes rail..
- If you have chosen to position the shelf at the top of the product, then secure the clothes rail in the lowest of the two positions, underneath the shelf.
- If the shelf is at the bottom of the unit, then the clothes rail should be positioned in the top fittings. .

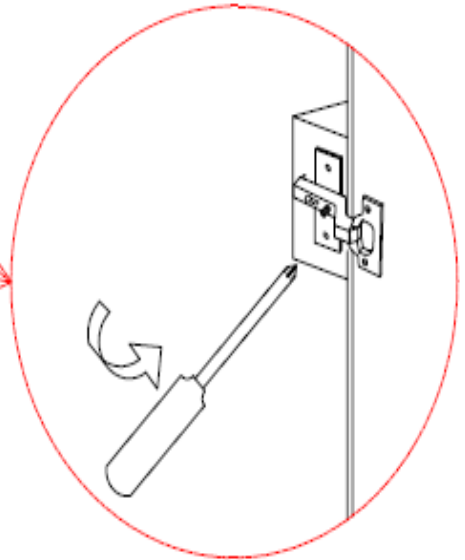
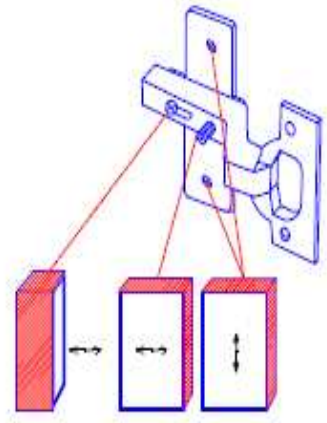
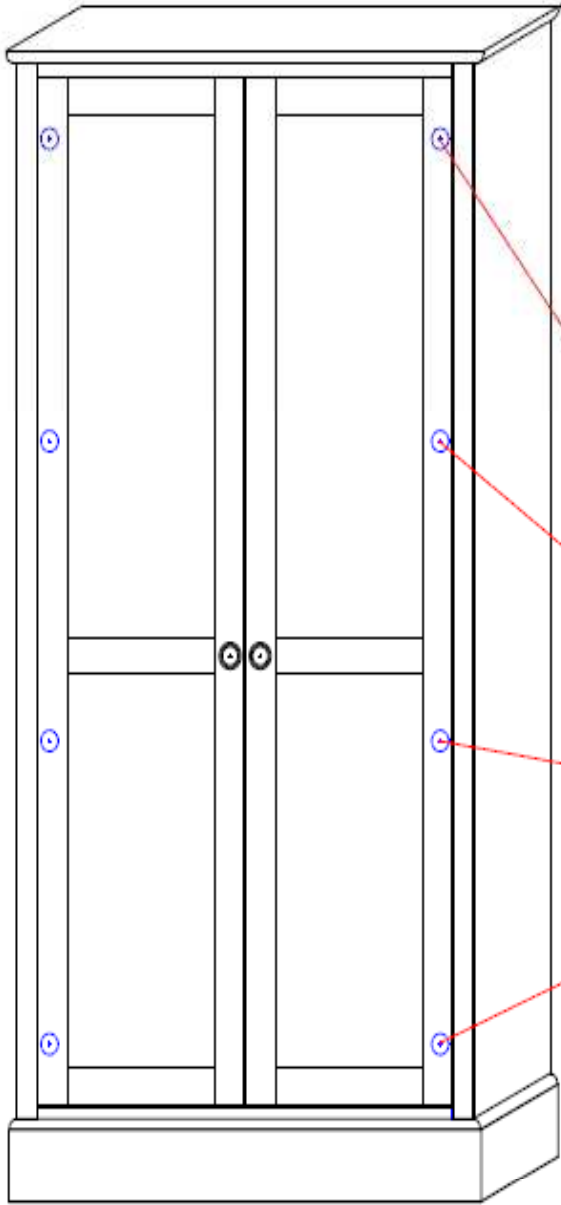


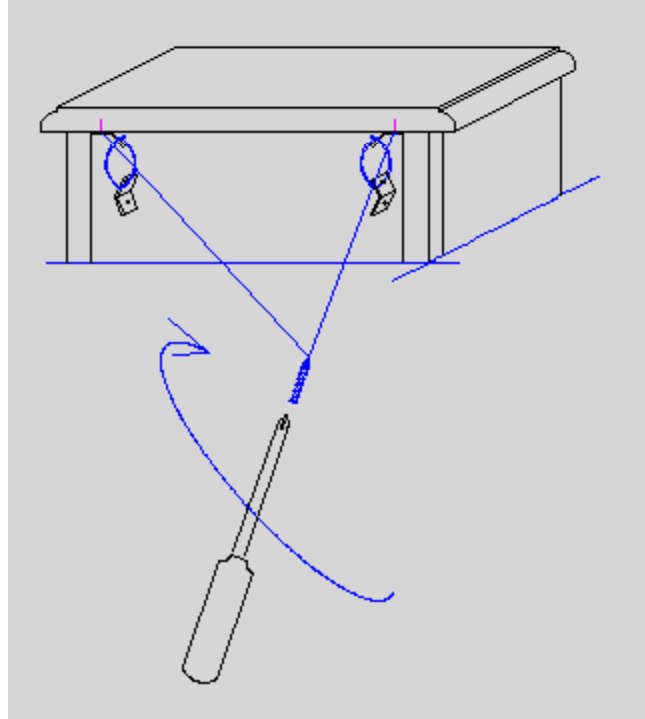
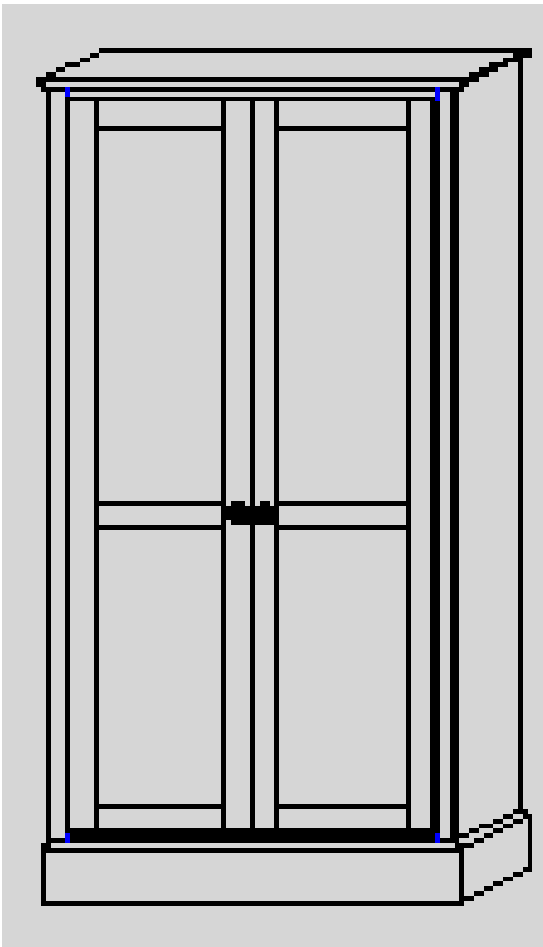


Step four

- Secure the doors to the product screwing the hinges to the mounting plates.
- The position of the doors can be easily adjusted by the adjusting screw of the hinge







Important note: It is essential that this product is fixed to a wall using the strap supplied

Wall fixing is not supplied, please purchase suitable fixing for the wall.

Always ensure that the wall attachment strap is correctly fitted.

Care and Maintenance: please refer to Laura Ashley Care Guide.

PLEASE KEEP THESE INSTRUCTIONS FOR FUTURE REFERENCE

If you have any queries with this product please contact Laura Ashley Customer Service. Tel.: 08719835999